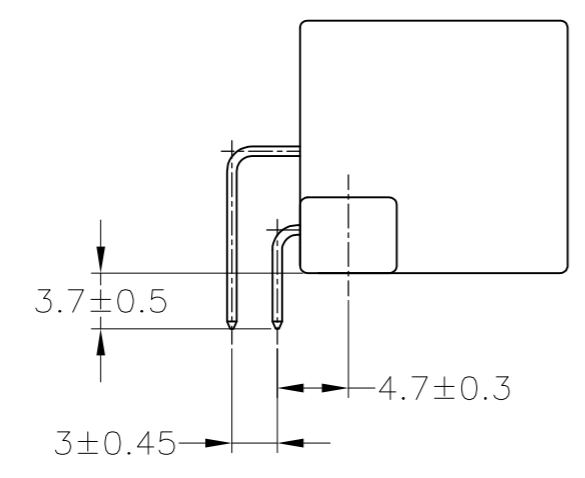
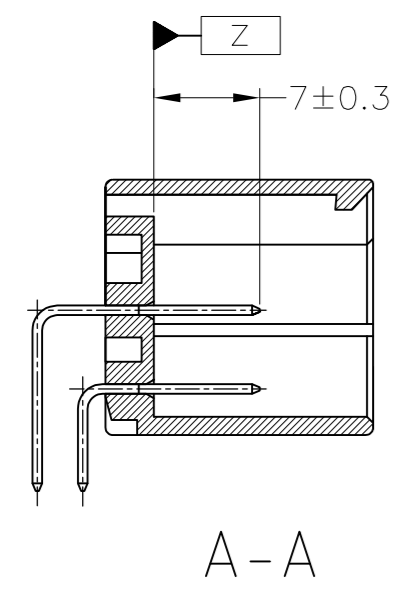
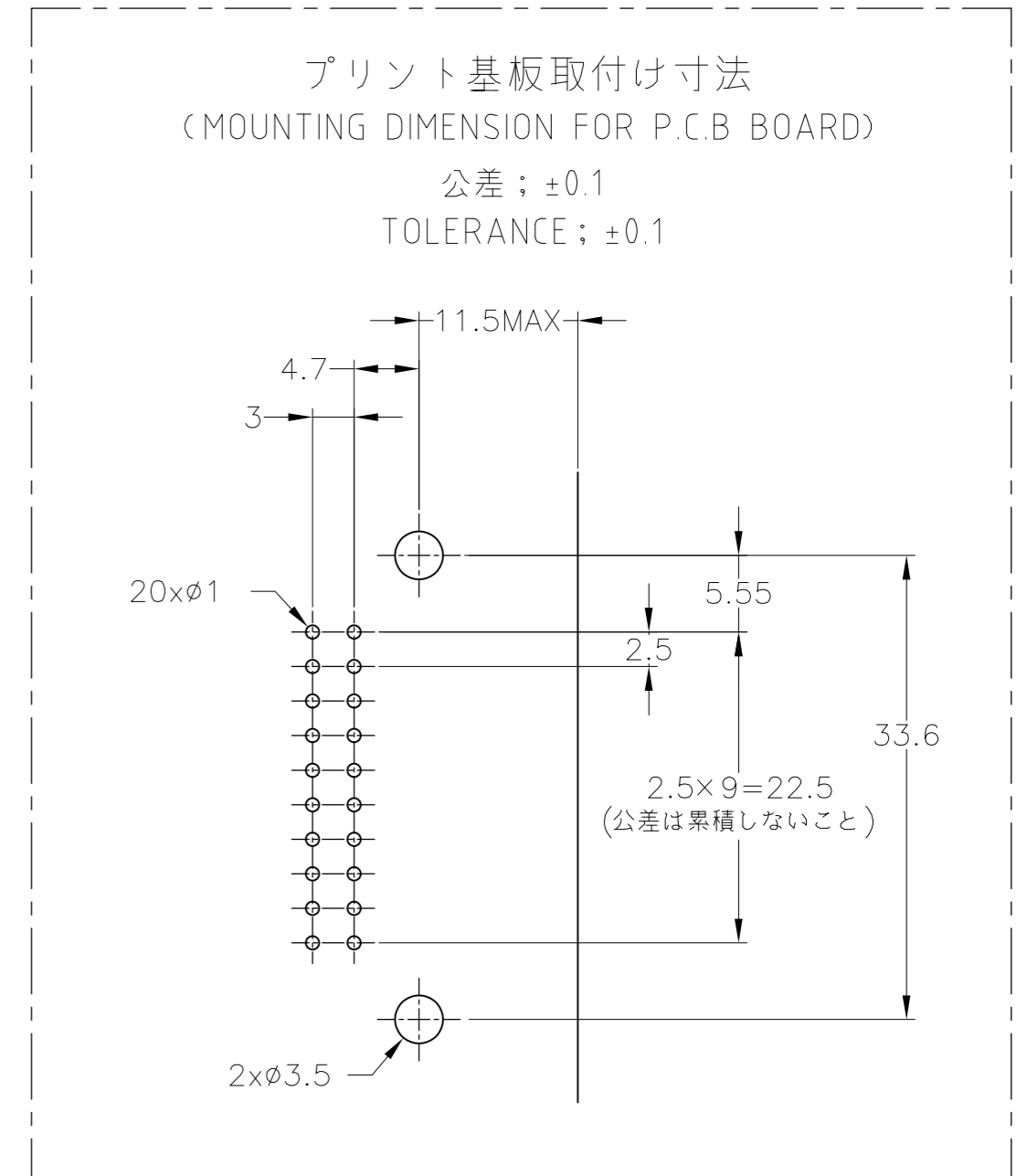
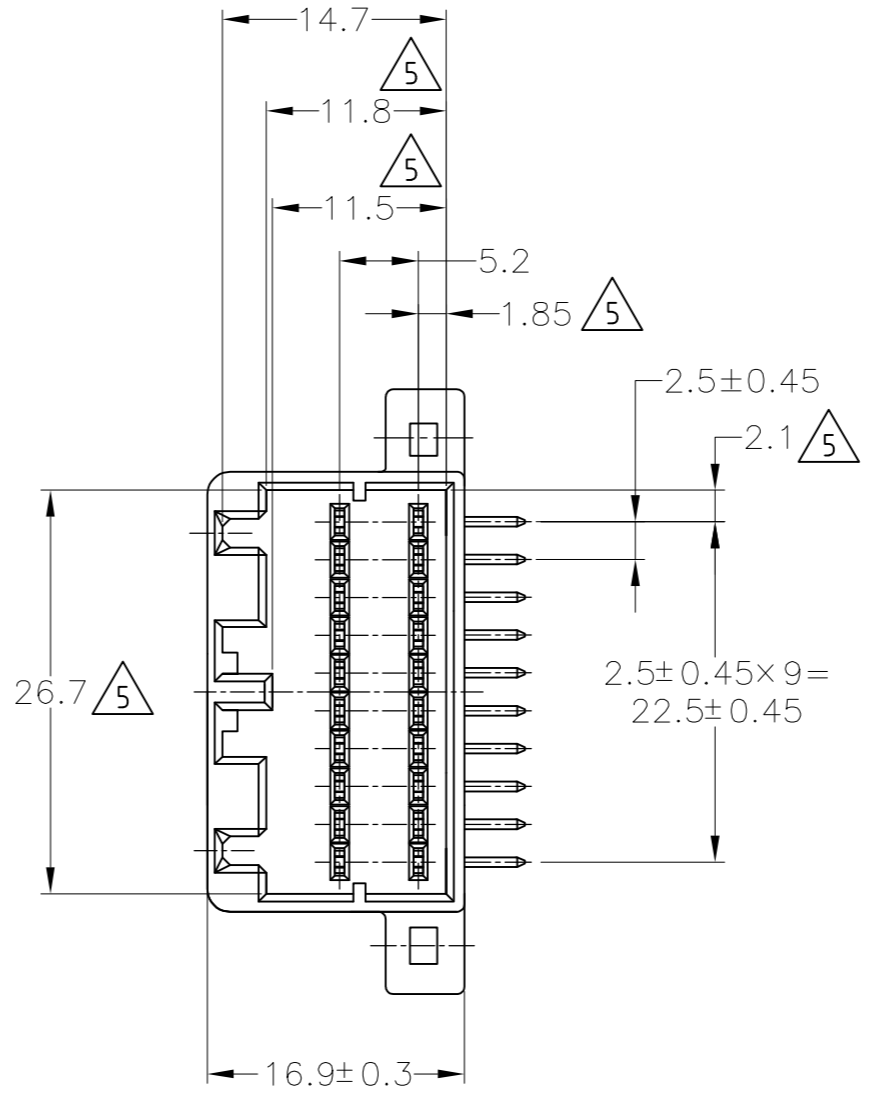
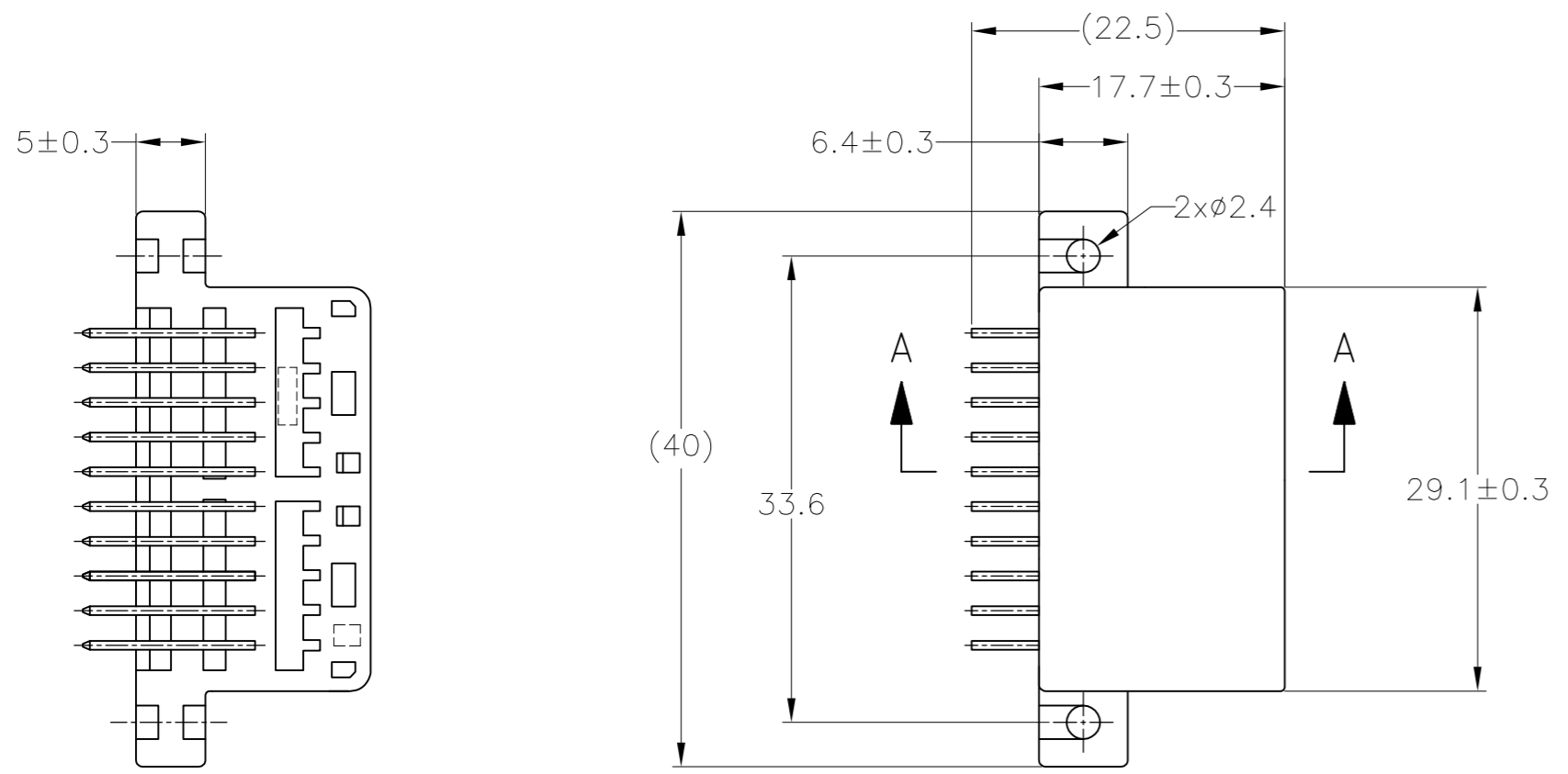


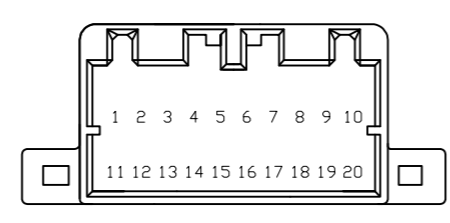
THIS DRAWING IS UNPUBLISHED. RELEASED FOR PUBLICATION
 © COPYRIGHT - By - ALL RIGHTS RESERVED.

LOC	DIST	REVISIONS					
		P	LTR	DESCRIPTION	DATE	DWN	APVD
J	-	G5		REVISED ECR-15-008937	12JUN15	KF	RK



- 1. 適用プリント基板厚：1.6mm
- 2. 推奨取付ネジ：JIS B1115, B1122 タッピングネジ、
ナベ2種呼び径3、長さ6mm以上。(締付トルク39.2N-cm以下)
- 3. 嵌合相手ハウジング型番：175967
- 4. 適用製品規格番号：108-5281
- 5. Z面より2mmの範囲で測定
- 6. 回路番号：FIG.1参照
- 7. 回路番号1,2,5,12,15：タブなし

- 1. APPLICABLE P.C.B BOARD THICKNESS ; 1.6mm
- 2. RECOMMENDED MOUNTING SCREW 3mm DIA. 6mm LENGTH (MIN.)
TAPPING SCREW SPECIFIED IN JIS B1115, B1122
(TIGHTENING TORQUE ; 39.2N-cm MAX.)
- 3. THE MATING PLUG HOUSING PART NUMBER ; 175967
- 4. APPLICABLE PRODUCT SPEC. No. ; 108-5281
- 5. TO BE MEASURED WITHIN 2mm FROM Z
- 6. CIRCUIT NUMBER ; SEE FIG.1
- 7. CIRCUIT NUMBER 1,2,5,12,15 ; NON TAB



6 FIG.1

	PRE-TIN × 17	5, 6, 16	BLACK	2-5175975-2
	SELECTIVE-TIN (MATTE) / SELECTIVE GOLD × 3			
	SELECTIVE-TIN (MATTE) / SELECTIVE GOLD	1~20	BLACK	1-5175975-2
OBSELETE	SELECTIVE-TIN / PRE-TIN		BLACK	9-175975-2
	7 PRE-TIN × 15	-	BLACK	3-175975-2
	PRE-TIN × 17	5, 6, 16	BLACK	2-175975-2
	TIN-LEAD / SELECTIVE GOLD × 3			
	TIN-LEAD / SELECTIVE GOLD	1~20	BLACK	1-175975-2
	PRE-TIN	-	BLUE	175975-5
	SELECTIVE-TIN (MATTE) / SELECTIVE-TIN (BRIGHT)	-	BLACK	175975-4
	PRE-TIN	-	BLACK	175975-2
	SOLDERING SIDE / CONTACT SIDE 半田付け部 / 接触部側	GOLD PLATED CIRCUIT NO 金めっき回路番号	COLOR 色	PART NUMBER 製品番号
	CONTACT FINISH コンタクト仕上	6		

THIS DRAWING IS A CONTROLLED DOCUMENT.

DIMENSIONS: 単位：mm

TOLERANCES UNLESS OTHERWISE SPECIFIED: 一般公差

MATERIAL: ハウジング：PBT, コンタクト：黄銅

FINISH: 仕上

TE Connectivity

040 SERIES MULTI-LOCK I/O CONNECTOR MK-II
20POSITION CAP HOUSING ASSEMBLY

SCALE 2:1 SHEET 1 OF 1 REV G5

X-ON Electronics

Largest Supplier of Electrical and Electronic Components

Click to view similar products for [Automotive Connectors](#) category:

Click to view products by [TE Connectivity](#) manufacturer:

Other Similar products are found below :

[003-018-000](#) [60403001](#) [60993906-B](#) [M902-2131](#) [M902-2161](#) [M902-2344](#) [72.330.1035.1](#) [73.353.4028.0](#) [F119300-B](#) [F166900](#) [F258300-B](#)
[F358300-B](#) [F407400](#) [F444110](#) [F487000](#) [F509500B-B](#) [827153-1](#) [8N1515-32-24P](#) [9-1326729-8](#) [925474-1](#) [928905-1](#) [964562-4](#) [968782-1](#)
[GT17SA-8DS-HU](#) [98891-1012](#) [98947-1016](#) [12004147](#) [12004475-L](#) [12010290](#) [12010309-B](#) [12015454](#) [12020219-B](#) [12041318-B](#) [12052225-](#)
[L](#) [12052466](#) [12064869](#) [12004327-B](#) [12015308](#) [12015384](#) [12015909](#) [1-21030-1](#) [12041254](#) [12041318](#) [12047946-B](#) [12047957](#) [12047957-L](#)
[12059473](#) [12066261](#) [12110546](#) [12110546-B](#)