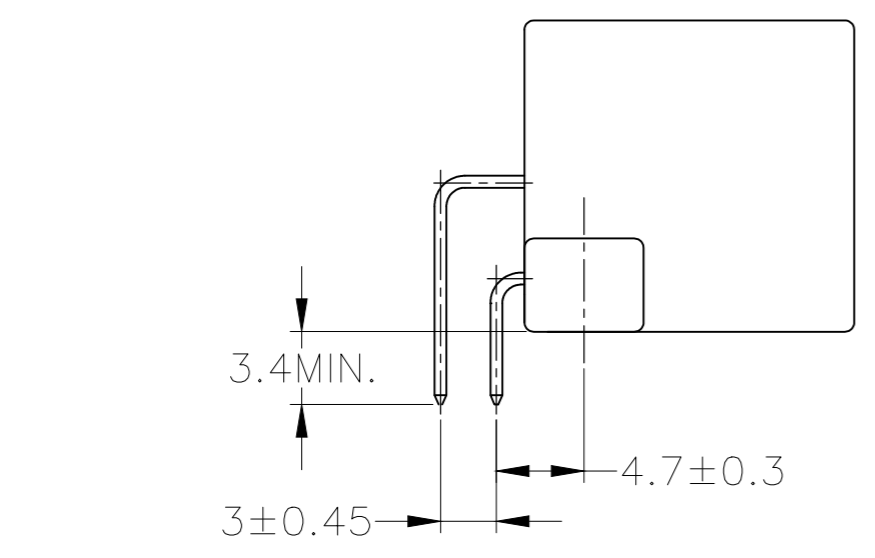
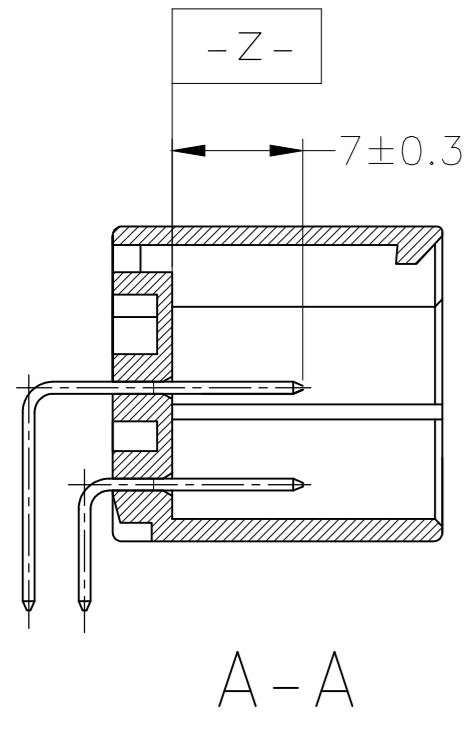
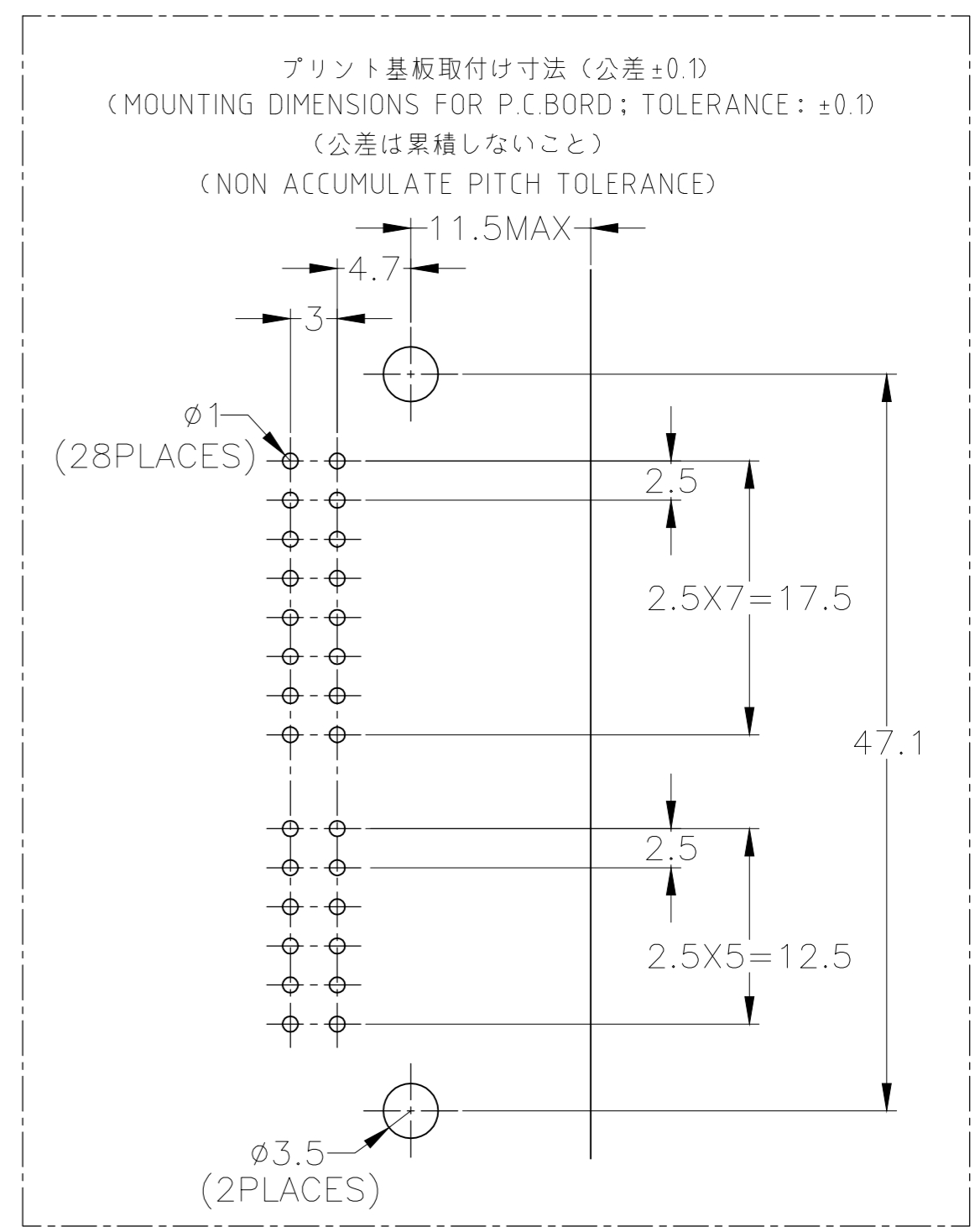
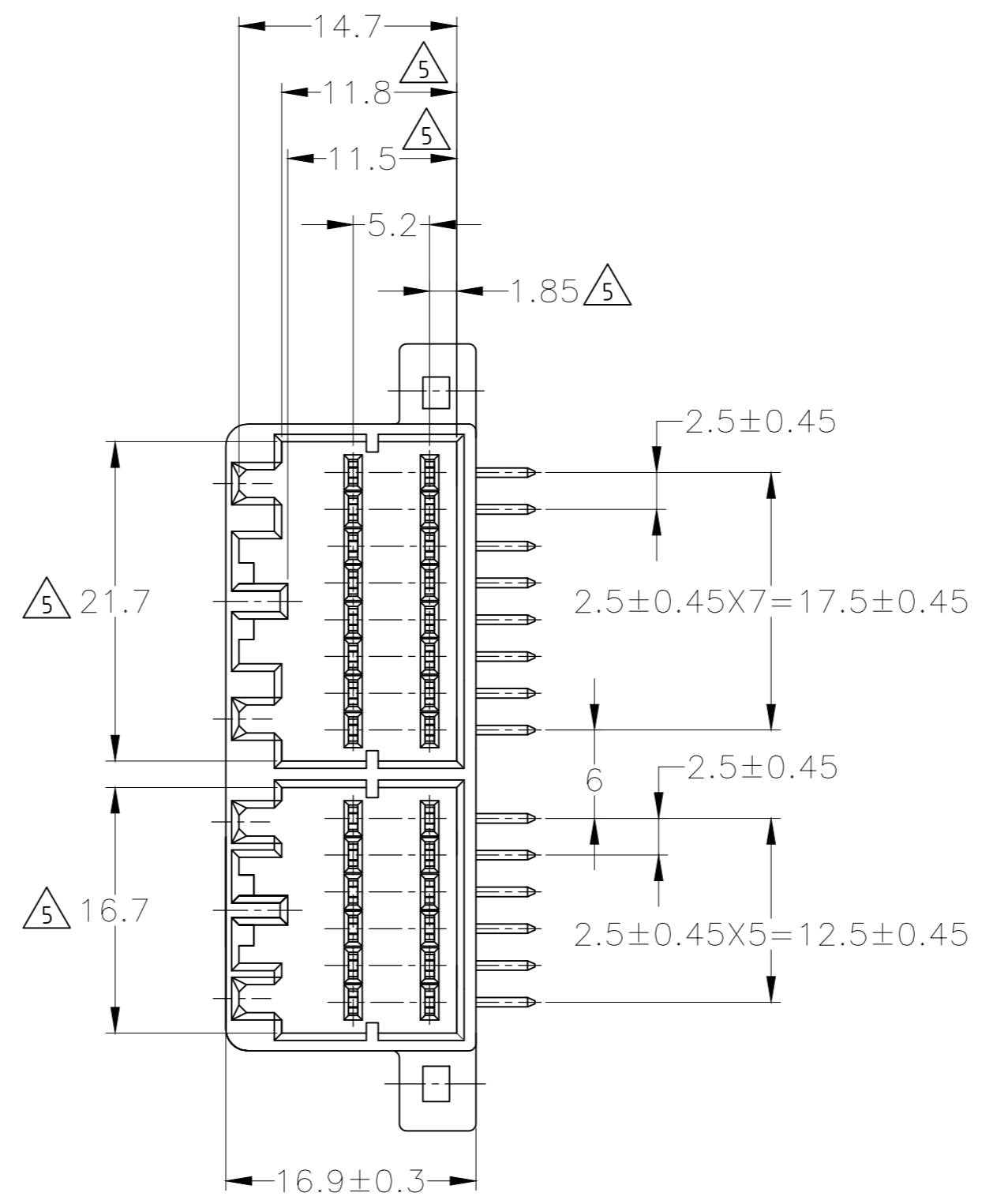
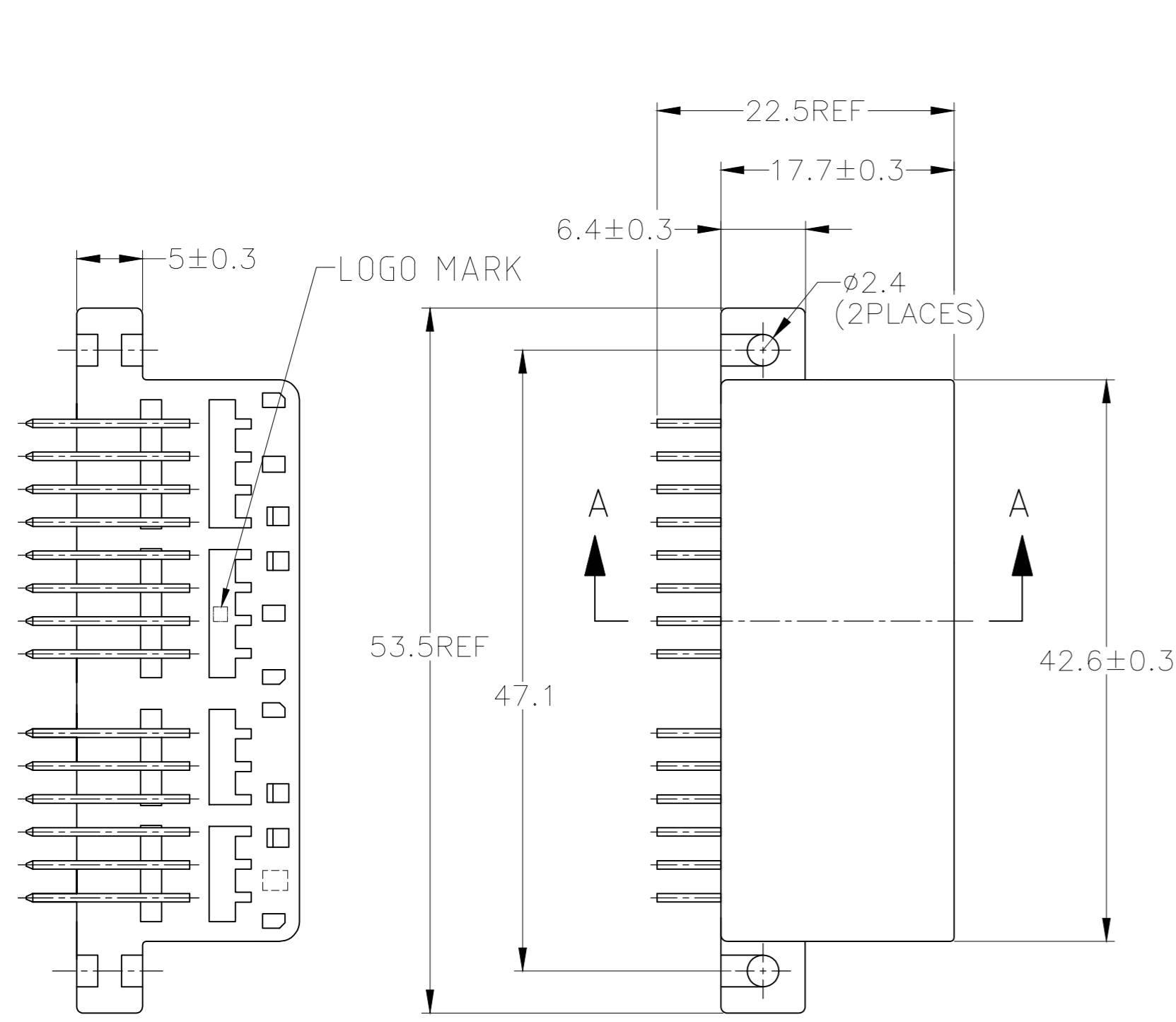
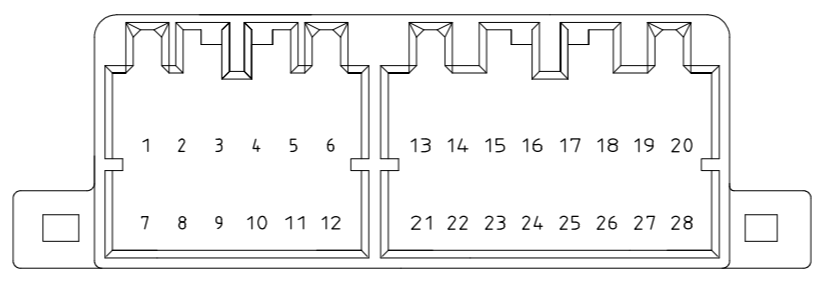


THIS DRAWING IS UNPUBLISHED. RELEASED FOR PUBLICATION
 © COPYRIGHT - By - ALL RIGHTS RESERVED.

REVISIONS					
P	LTR	DESCRIPTION	DATE	DWN	APVD
C2	REVISED	ECR-18-004166	19MAR2018	TS	HY



- 適用プリント基板厚; 1.6mm
 - 推奨取付けネジ: JIS B1115, B1122 タッピングネジ、ナベ2種呼び径3、長さ6mm以上(締付トルク; 39.2n-cm以下)
 - 嵌合相手ハウジング; 175965, 175966
 - 適用製品規格番号; 108-5281
- △ -Z- 面から2mmの範囲で測定
 △ 回路番号; 下図参照のこと



- APPLICABLE P.C.B BOARD THICKNESS; 1.6mm
 - RECOMMENDED MOUNTING SCREW 3mm DIA 6mm LENGTH (MIN.) TAPPING SCREW SPECIFIED IN JIS B1115, B1122 (TIGHTENING TORQUE; 39.2N-cm MAX.)
 - THE MATING PLUG HOUSING PART NUMBER; 175965, 175966
 - APPLICABLE PRODUCT SPEC No.; 108-5281
- △ TO BE MEASURED WITHIN 2mm FROM -Z-
 △ CIRCUIT NUMBER

SELECTIVE-TIN (MATTE)	SELECTIVE GOLD × 4	⑥ ⑫ ⑳ ㉓	黒 (BLACK)	3-5175976-2
	PRE-TIN × 24			
SELECTIVE-TIN (MATTE)	SELECTIVE GOLD × 28	全回路 (ALL CIRCUIT)	黒 (BLACK)	1-5175976-2
TIN-LEAD	SELECTIVE GOLD × 4	⑥ ⑫ ⑳ ㉓	黒 (BLACK)	3-175976-2
	PRE-TIN × 24			
TIN-LEAD	SELECTIVE GOLD × 3	④ ⑤ ⑥	黒 (BLACK)	2-175976-2
	PRE-TIN × 25			
TIN-LEAD	SELECTIVE GOLD × 28	全回路 (ALL CIRCUIT)	黒 (BLACK)	1-175976-2
SELECTIVE-TIN (MATTE)	SELECTIVE GOLD × 2	⑭ ㉒	黒 (BLACK)	175976-3
	SELECTIVE-TIN (BRIGHT) × 26			
	PRE-TIN × 28	-	黒 (BLACK)	175976-2
SOLDERING SIDE 半田付け部	CONTACT SIDE 接触部側	△ CIRCUIT NO OF GOLD PLATED CONTACT 金めっき端子使用回路番号	HOUSING COLOR ハウジング色	PART NUMBER 型番
	CONTACT FINISH コンタクト仕上げ			

TOLERANCE UNLESS OTHERWISE SPECIFIED: 一般公差

0 < x ≤ 10 : ±0.2
 10 < x ≤ 30 : ±0.25
 30 < x ≤ 100 : ±0.3
 ANGLE : ±3°

THIS DRAWING IS A CONTROLLED DOCUMENT.

DIMENSIONS: 単位: 純 mm
 TOLERANCES UNLESS OTHERWISE SPECIFIED: 一般公差

MATERIAL: HOUSING: PBT CONTACT: BRASS
 FINISH: 仕上

DWN: A. YAMAGUCHI 05APR02
 CHK: K. BETSUI 05APR02
 APVD: K. BETSUI 05APR02

PRODUCT SPEC: SEE NOTE 4
 APPLICATION SPEC: 取付適用規格

WEIGHT: 9.14 g
 CUSTOMER DRAWING

WIRE RANGE: 適合電線断面積
 INSULATION DIA: 被覆外径

STE TE Connectivity Ltd.
 NAME: 040 SERIES MULTI-LOCK I/O CONN. MK-II
 PRODUCT SPEC: 製品規格
 APPLICATION SPEC: 取付適用規格

SIZE: A2 CAGE CODE: 00779 DRAWING NO: C=175976 RESTRICTED TO: -
 SCALE: 2:1 SHEET: 1 of 1 REV: C2

X-ON Electronics

Largest Supplier of Electrical and Electronic Components

Click to view similar products for [Automotive Connectors](#) category:

Click to view products by [TE Connectivity](#) manufacturer:

Other Similar products are found below :

[003-018-000](#) [60403001](#) [60993906-B](#) [M902-2131](#) [M902-2161](#) [M902-2344](#) [72.330.1035.1](#) [73.353.4028.0](#) [F119300-B](#) [F166900](#) [F258300-B](#)
[F358300-B](#) [F407400](#) [F444110](#) [F487000](#) [F509500B-B](#) [827153-1](#) [8N1515-32-24P](#) [9-1326729-8](#) [925474-1](#) [928905-1](#) [964562-4](#) [968782-1](#)
[GT17SA-8DS-HU](#) [98891-1012](#) [98947-1016](#) [12004147](#) [12004475-L](#) [12010290](#) [12010309-B](#) [12015454](#) [12020219-B](#) [12041318-B](#) [12052225-](#)
[L](#) [12052466](#) [12064869](#) [12004327-B](#) [12015308](#) [12015384](#) [12015909](#) [1-21030-1](#) [12041254](#) [12041318](#) [12047946-B](#) [12047957](#) [12047957-L](#)
[12059473](#) [12066261](#) [12110546](#) [12110546-B](#)