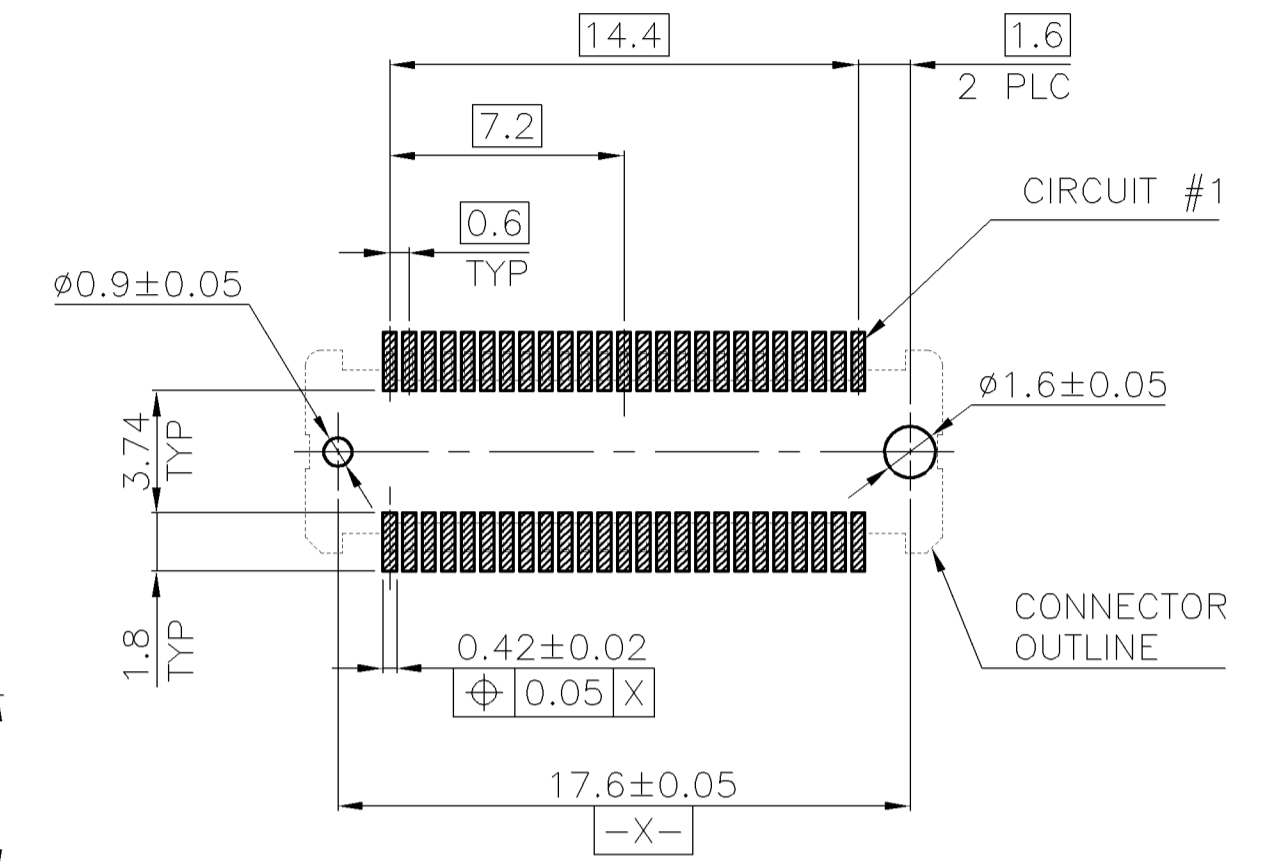
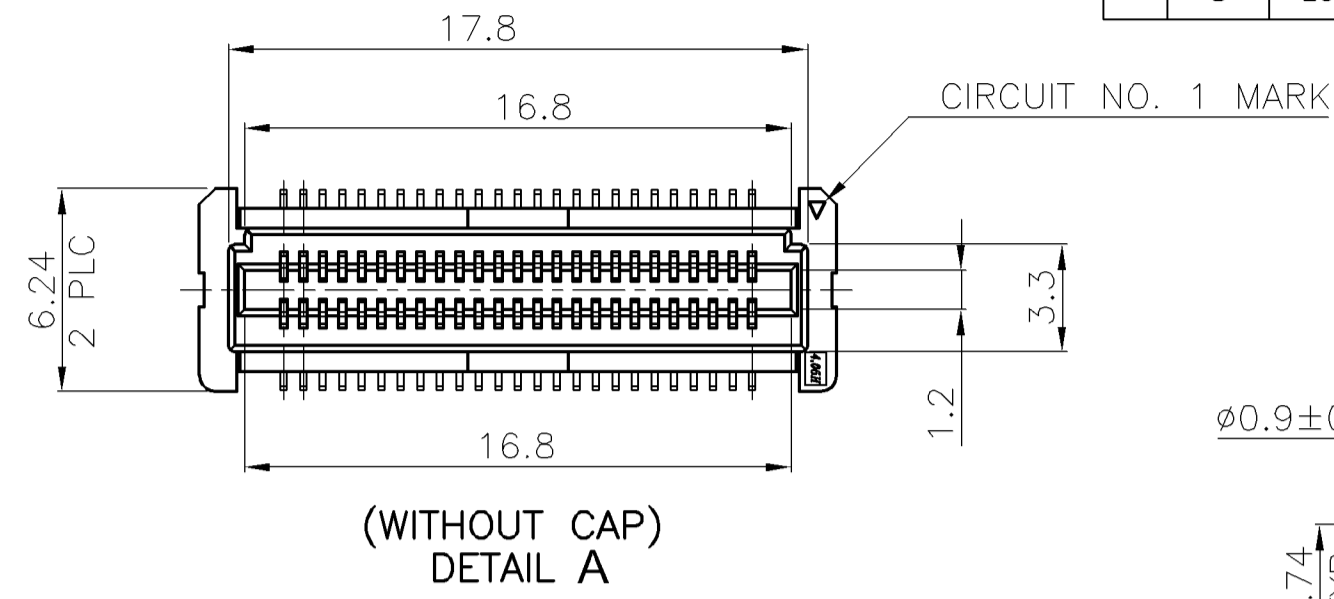
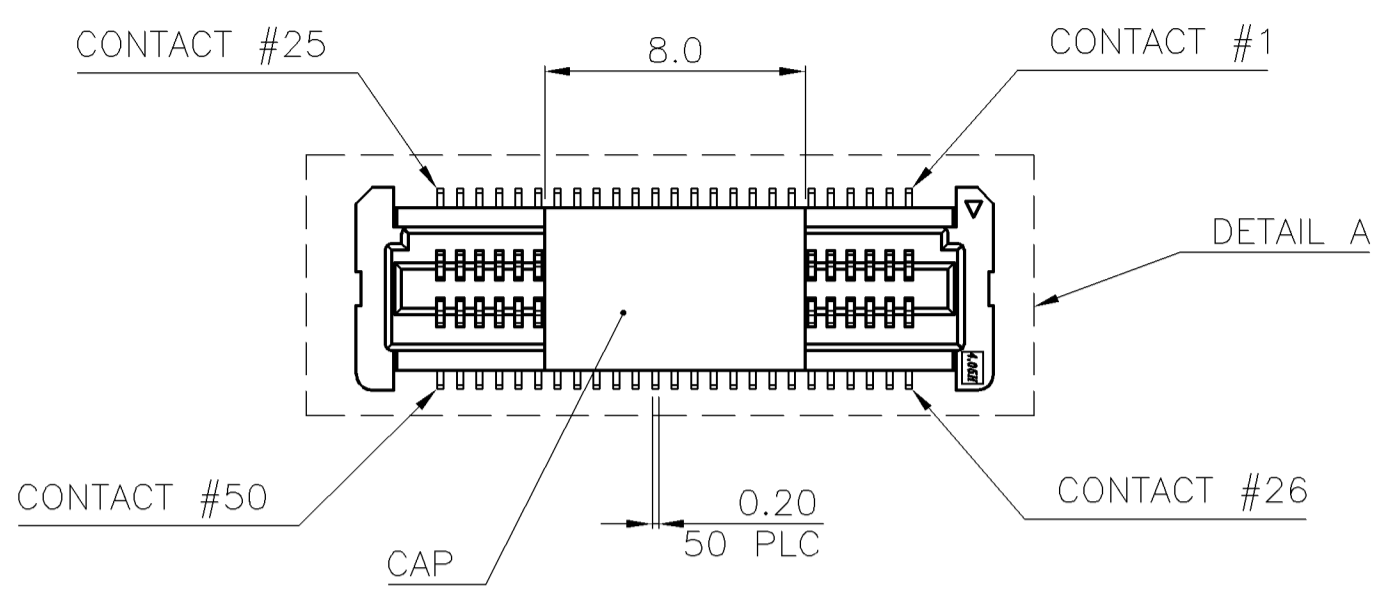
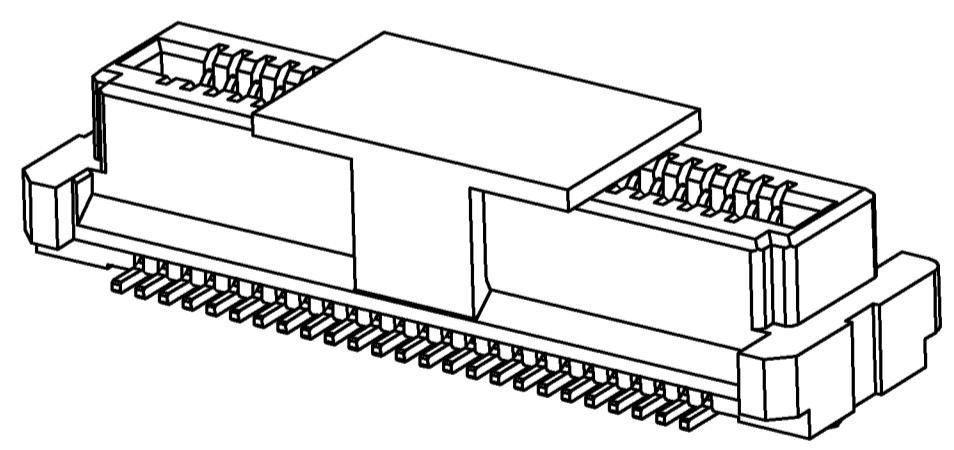
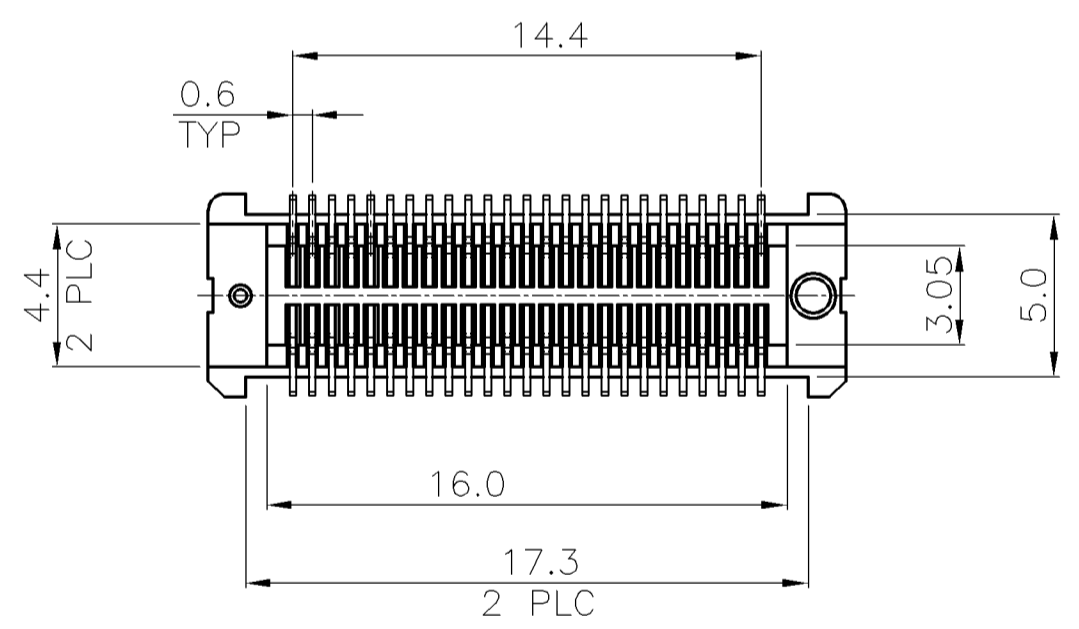
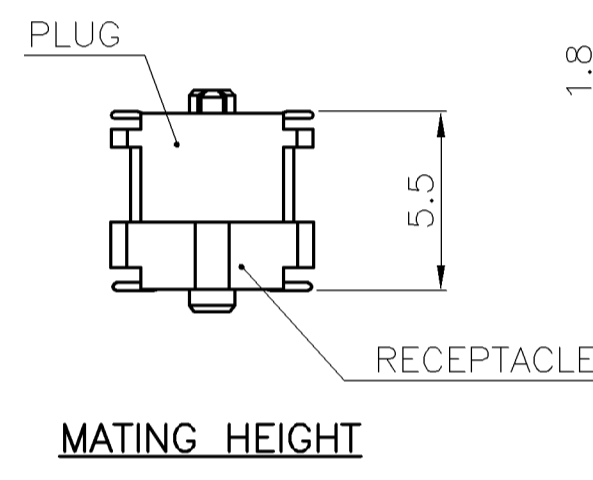
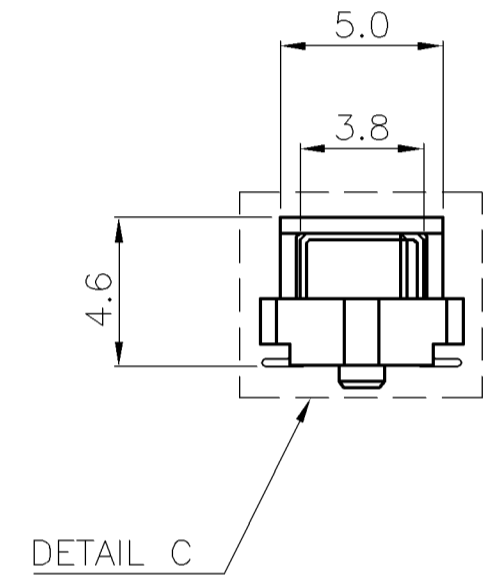
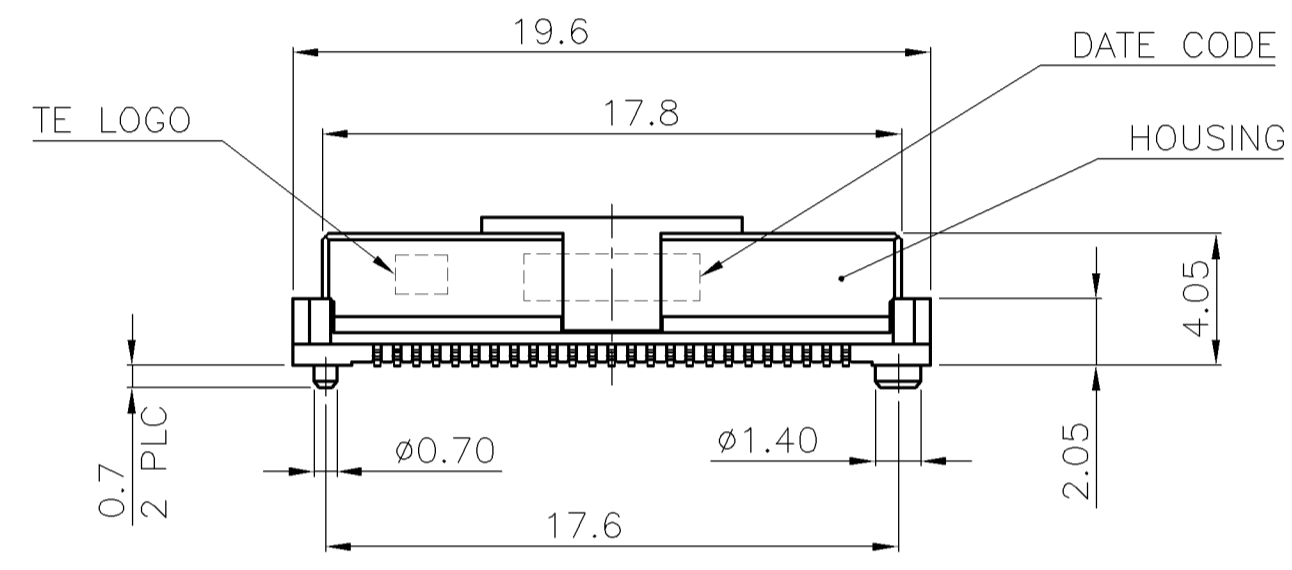


THIS DRAWING IS UNPUBLISHED. RELEASED FOR PUBLICATION
 © COPYRIGHT BY TYCO ELECTRONICS CORPORATION. ALL RIGHTS RESERVED.

LOC	DIST	REVISIONS		
DW	—	P	LTR	DESCRIPTION
			C	ECR-09-010047
				DATE
				04MAY09
				DWN
				AW
				APVD
				WK

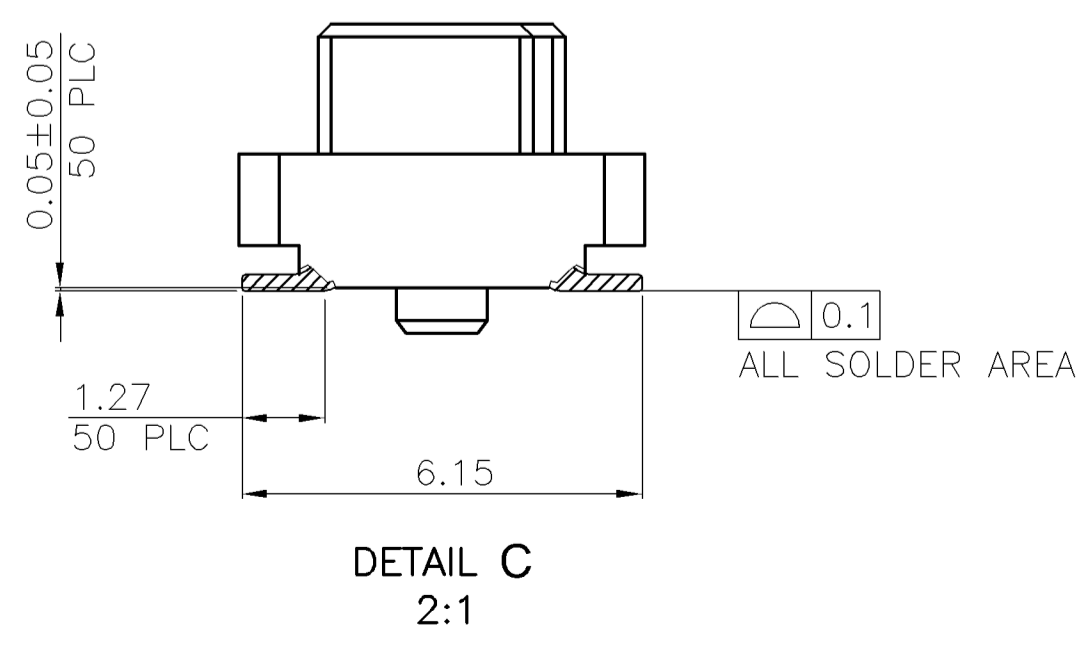


TOLERANCE: ±0.05
 RECOMMENDED PCB LAYOUT
 (TOP VIEW)



NOTES:

- MATERIAL:
 HOUSING: LCP WITH 35% GF, UL 94V-0, NATURAL COLOR.
 CAP: LCP WITH 35% GF, UL 94V-0, NATURAL COLOR.
 CONTACTS: PHOSPHOR BRONZE.
- FINISH:
 CONTACTS: GOLD FLASH PLATED ON CONTACT AREA, 3.05µm [120µ"] MIN. MATTE-TIN ON SOLDER TAIL, WITH ENTIRE CONTACT UNDERPLATED 1.27µm [50µ"] MIN. NICKEL.
- REFLOW SOLDER CAPABLE TO 260°C PER TEC-109-201, CONDITION B.
- MATING PLUG PART NUMBER: 1759898-1.

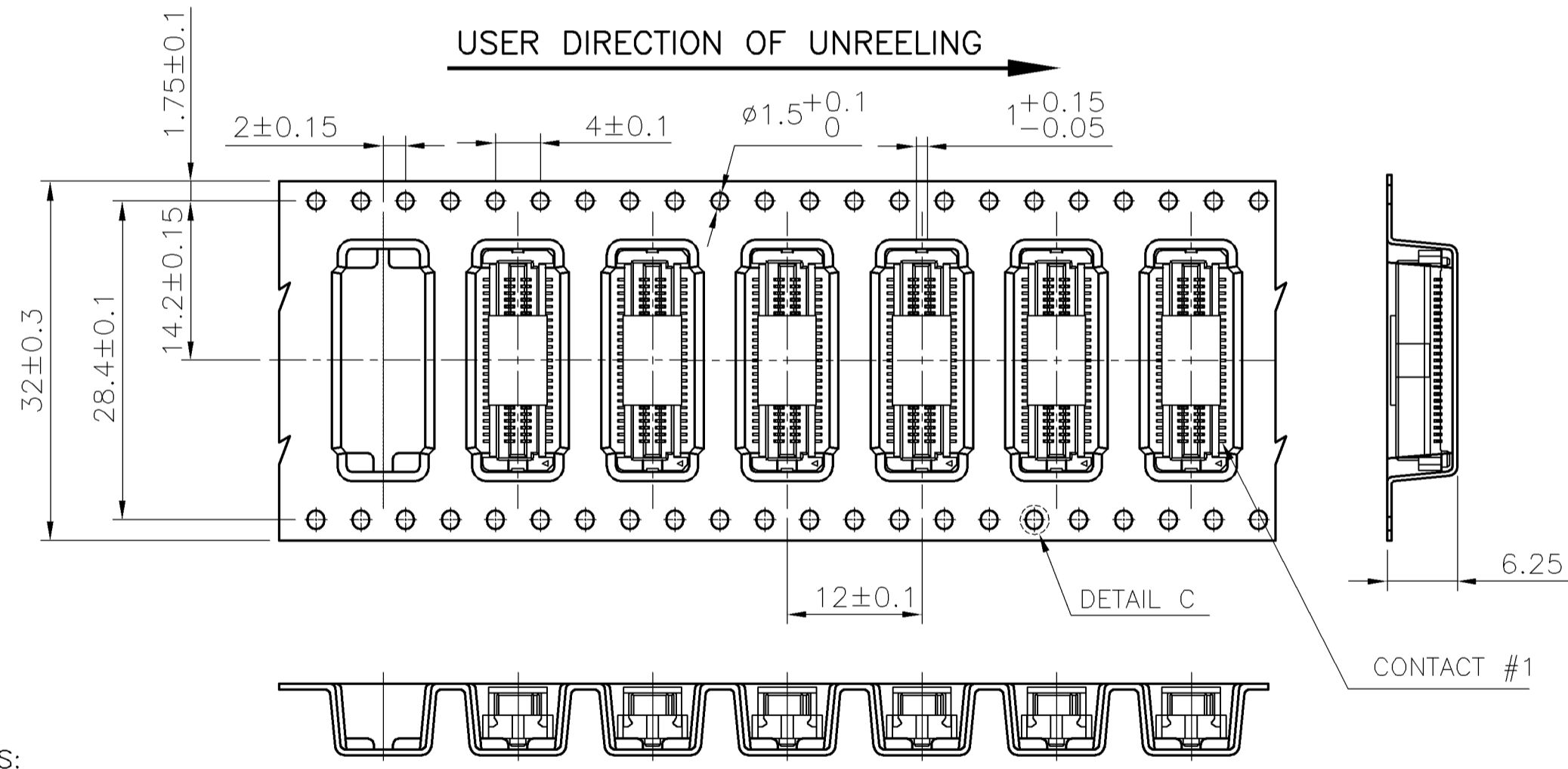
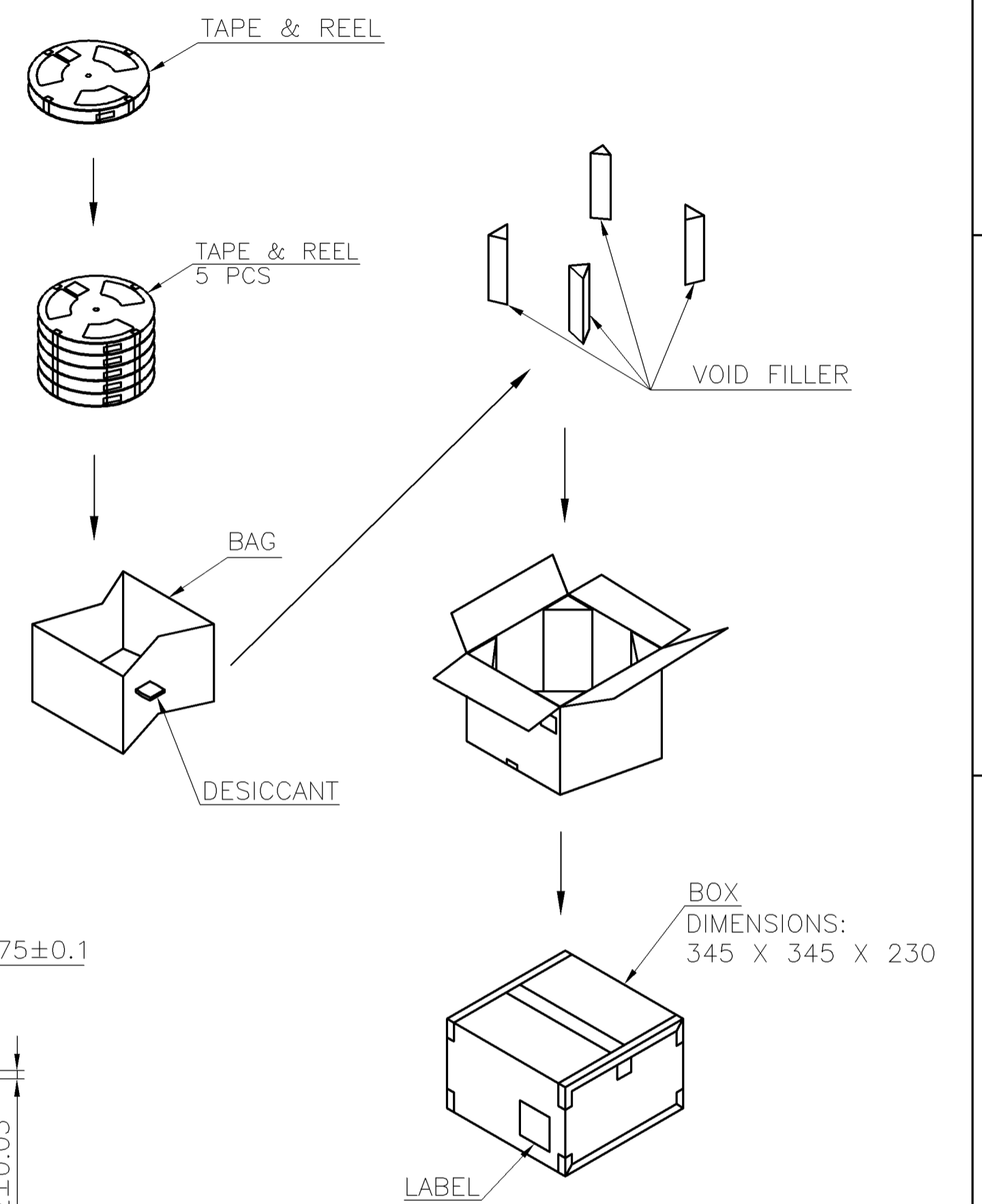
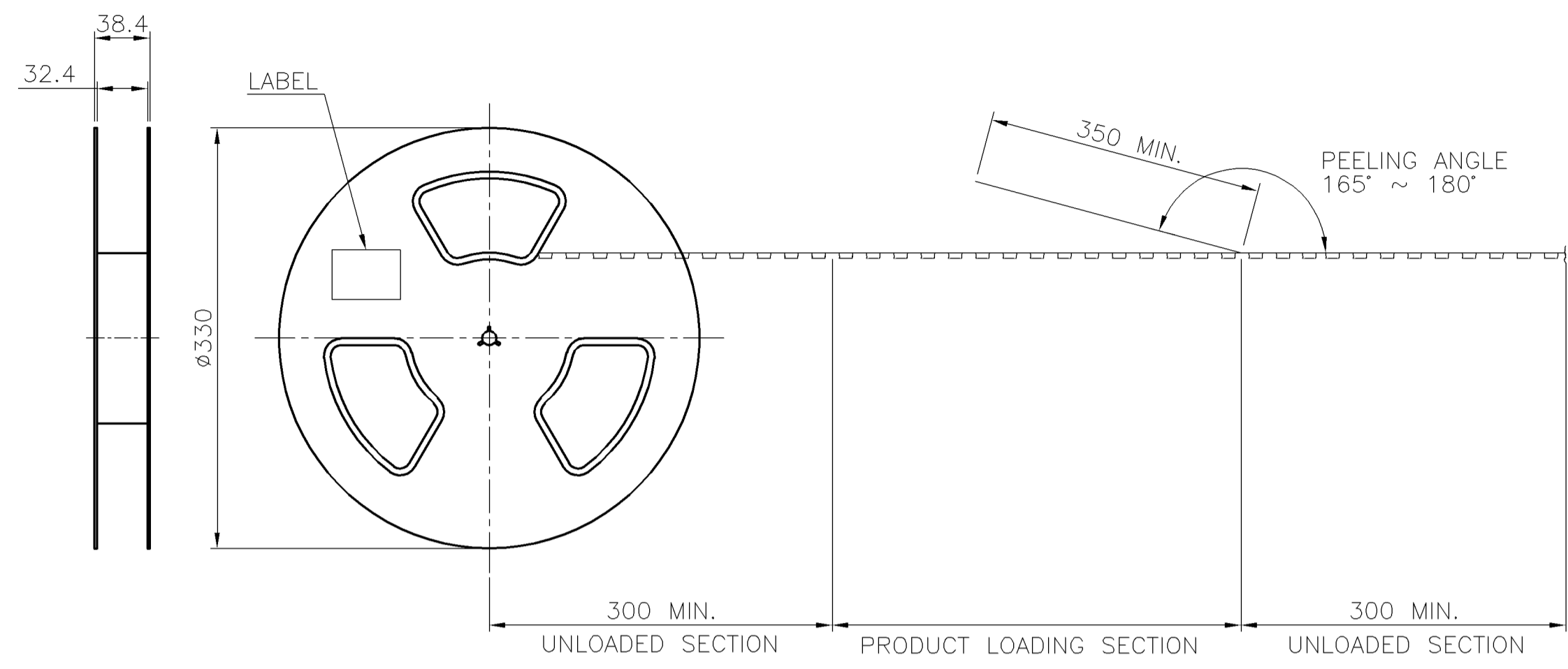


1759899-1
 PART NUMBER

THIS DRAWING IS A CONTROLLED DOCUMENT.		DWN	A. WU	04MAY2009	Tyco Electronics Corporation							
DIMENSIONS: MM		CHK	S. CHIEN	04MAY2009	Taipei, Taiwan							
TOLERANCES UNLESS OTHERWISE SPECIFIED:		APVD	W. KODAMA	04MAY2009	NAME							
0 PLC ± 0.5		PRODUCT SPEC		108-57761								
1 PLC ± 0.3		APPLICATION SPEC		—								
2 PLC ± 0.2		WEIGHT	0.602 GRAMS		SIZE	A3	CAGE CODE	00779	DRAWING NO	C=1759899	RESTRICTED TO	—
3 PLC ± 0.15		CUSTOMER DRAWING		SCALE	—		SHEET	1 OF 2		REV	C	
4 PLC ± —												
ANGLES ± 3°												
FINISH		SEE NOTE										
MATERIAL		SEE NOTE										

THIS DRAWING IS UNPUBLISHED. RELEASED FOR PUBLICATION
 © COPYRIGHT BY TYCO ELECTRONICS CORPORATION. ALL RIGHTS RESERVED.

LOC	DIST	REVISIONS					
DW	—	P	LTR	DESCRIPTION	DATE	DWN	APVD
				SEE SHEET 1.			



NOTES:

- MATERIAL:
 BOX: FIBREBOARD, CORRUGATED, DOUBLE WALL.
 COVER TAPE: POLYSTYRENES, 120°C HEAT-RESISTANT TEMPERATURE, TRANSPARENT COLOR.
 CARRIER TAPE: POLYSTYRENES, 120°C HEAT-RESISTANT TEMPERATURE, TRANSPARENT COLOR.
 REEL: HIPS, 70°C HEAT-RESISTANT TEMPERATURE, BLUE COLOR.
 BAG: POLYETHYLENES, 100°C HEAT-RESISTANT TEMPERATURE, TRANSPARENT COLOR.
- EACH BAG SHALL BE INCLUDED DESICCANT.
- PEELING STRENGTH: 0.1 ~ 1.3 N (10 ~ 130 GRAMS).
- PEELING SPEED: 300 mm/min.

1000	5	5000 PCS	5.5 KG	3.01 KG
PCS/TAPE	REELS/BOX	QUANTITY	GROSS WEIGHT	NET WEIGHT

THIS DRAWING IS A CONTROLLED DOCUMENT.		DWN A. WU	04MAY2009	Tyco Electronics Corporation Taipei, Taiwan	
DIMENSIONS: MM		CHK S. CHIEN	04MAY2009		
TOLERANCES UNLESS OTHERWISE SPECIFIED:		APVD W. KODAMA	04MAY2009	NAME 0.6 MM PITCH BOARD TO BOARD CONNECTOR, 50 POSITION, RECEPTACLE, MATING HEIGHT 5.5 MM.	
0 PLC ± - 1 PLC ± - 2 PLC ± - 3 PLC ± - 4 PLC ± - ANGLES ± - MATERIAL FINISH		PRODUCT SPEC		RESTRICTED TO	
MATERIAL		APPLICATION SPEC		SIZE A3	CAGE CODE 00779
MATERIAL		WEIGHT		DRAWING NO C=1759899	
CUSTOMER DRAWING				SCALE	SHEET 2 OF 2
				REV	C

X-ON Electronics

Largest Supplier of Electrical and Electronic Components

Click to view similar products for [Board to Board & Mezzanine Connectors](#) category:

Click to view products by [TE Connectivity](#) manufacturer:

Other Similar products are found below :

[589158040000018](#) [MDF7C-18P-2.54DSA\(55\)](#) [FCN-230C068-11](#) [FCN-268F012-G/BD](#) [FCN-268F036-G/BD](#) [FCN-268M012-G/0D](#) [FCN-268M024-G/1D](#) [FCN-723J004/1](#) [MIS-048-01-F-D-DP-K](#) [832-10-034-10-001000](#) [FX4C-80S-1.27DSA](#) [FCN-214Q030-G/0](#) [FCN-234P048-G/0](#) [FCN-235D050-G/C](#) [210-93-314-41-105000](#) [2-22603-0](#) [MDF7-40DP-2.54DSA\(55\)](#) [AXG720047](#) [5031084030](#) [MIT-114-03-F-D-K](#) [55323-1519](#) [DF33-2P-3.3DSA\(24\)](#) [YFT-20-05-H-03-SB-K](#) [503308-3040](#) [026-6203-PDB](#) [027-6203-PDB](#) [069159702701000](#) [10123981-102LF](#) [101A10019X](#) [55650-0588-C](#) [68684-306](#) [75140-7012](#) [589159005003045](#) [194261-1](#) [FCN-268F024-G0D](#) [10124054-515LF](#) [68685-603](#) [8-1616154-3](#) [MIS-019-01-F-D](#) [589159005002045](#) [541371078](#) [IL-WX-10PB-HF-B-E1000E](#) [FCN-268M024-G/3D](#) [20021832-06016C1LF](#) [KX15-20KLDL-E1000E](#) [MDF7-16DP-2.54DSA\(55\)](#) [AXE810124](#) [FCN-214J100-G/0](#) [FCN-230C068-E/S](#) [AXE812124](#)