

4

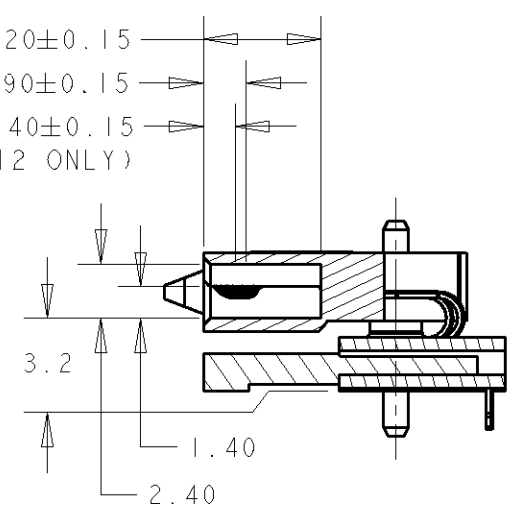
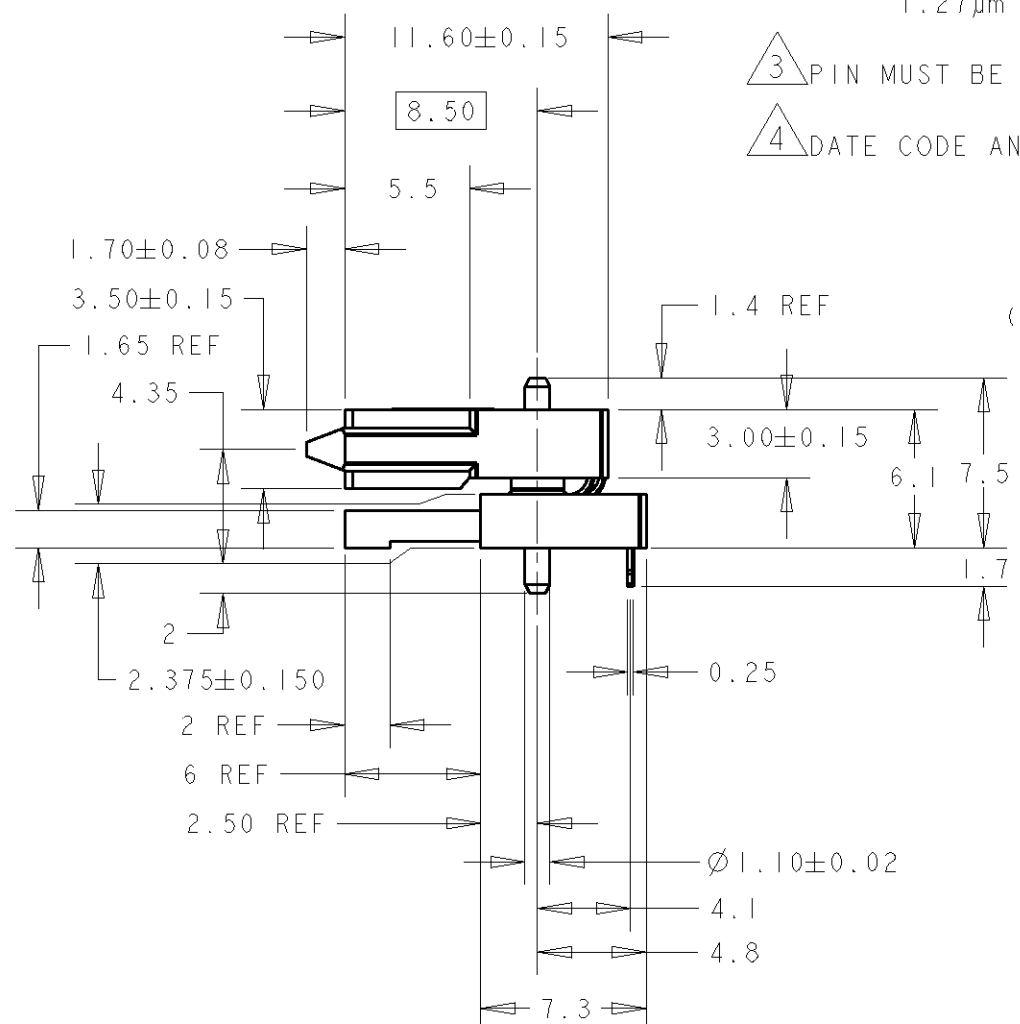
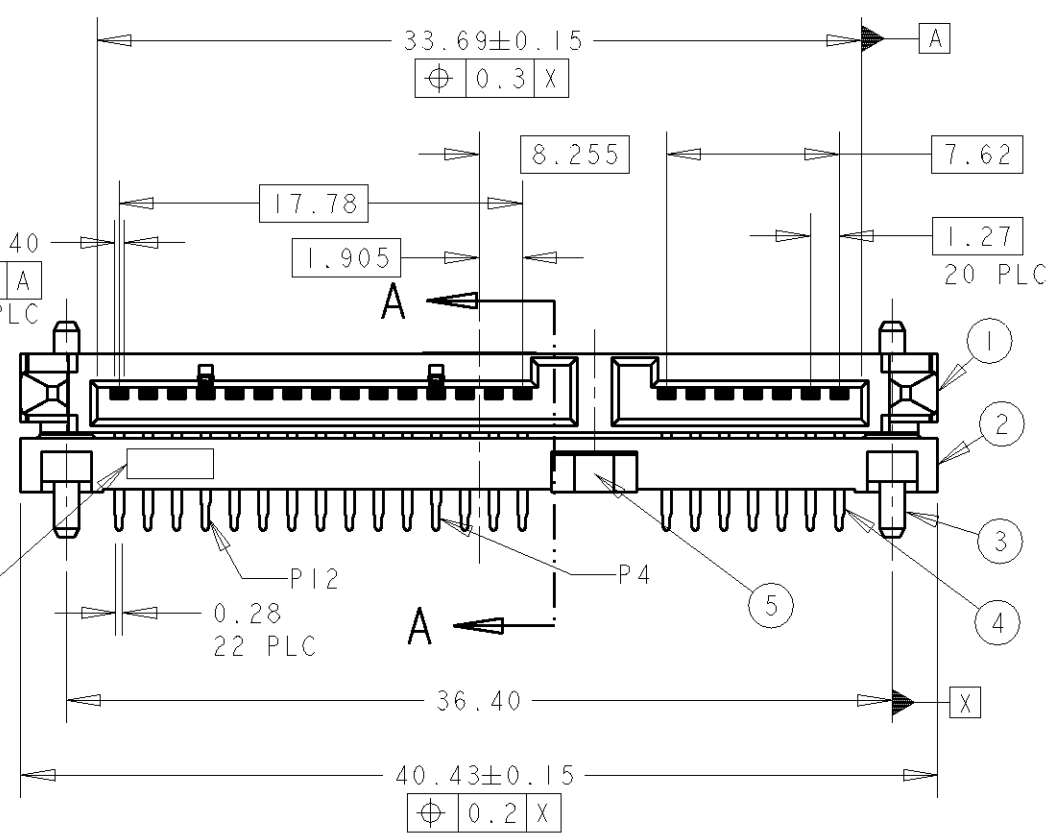
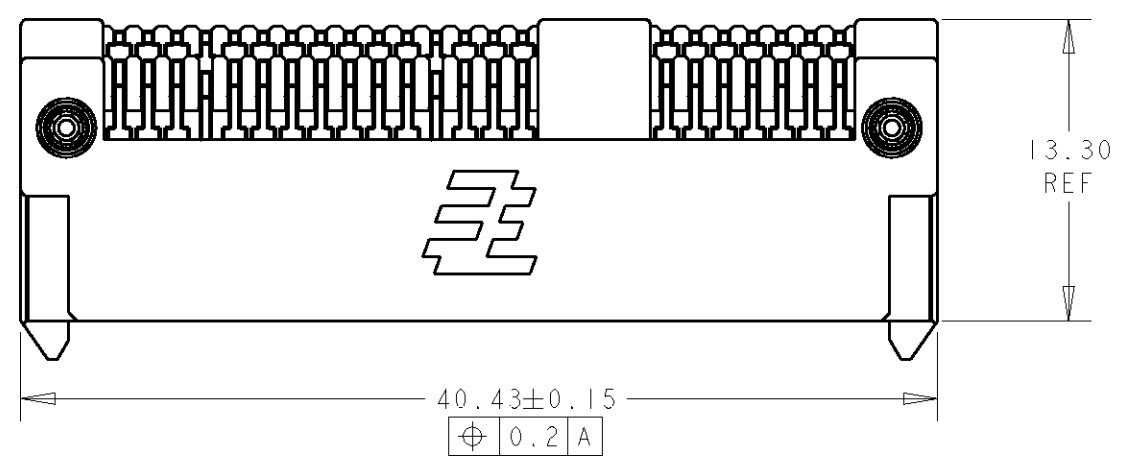
3

2

1

THIS DRAWING IS UNPUBLISHED. RELEASED FOR PUBLICATION .19
 © COPYRIGHT 19 BY AMP INCORPORATED. ALL RIGHTS RESERVED.

LOC	DIST	REVISIONS					
		P	LTR	DESCRIPTION	DATE	DWN	APVD
DY	-		AI	REVISED ECR-08-012045	13MAY08	JC	TAP



1 MATERIAL:
 HOUSING: THERMOPLASTIC HIGH TEMP., UL94V-0, COLOR: BLACK
 CONTACT: PHOSPHOR BRONZE
 PIN: BRASS
 CAP: THERMOPLASTIC HIGH TEMP., UL94V-0, COLOR: BLACK
 EMBOSS TAPE: PS, COLOR: CLEAR
 COVER TAPE: PET

2 FINISH:
 CONTACT:
 CONTACT AREA: $0.2 \mu\text{m}$ Au PL.
 $1.27 \mu\text{m}$ NICKEL UNDER PL. ALL OVER
 SOLDERING AREA: $2-5 \mu\text{m}$ MATTE TIN PL.
 $1.27 \mu\text{m}$ NICKEL UNDER PL. ALL OVER
 PIN: $2-5 \mu\text{m}$ MATTE TIN PL. ALL OVER
 $1.27 \mu\text{m}$ NICKEL UNDER PL. ALL OVER

3 PIN MUST BE SOLDERED WITH PCB
 4 DATE CODE AND ASSY MACHINE ID

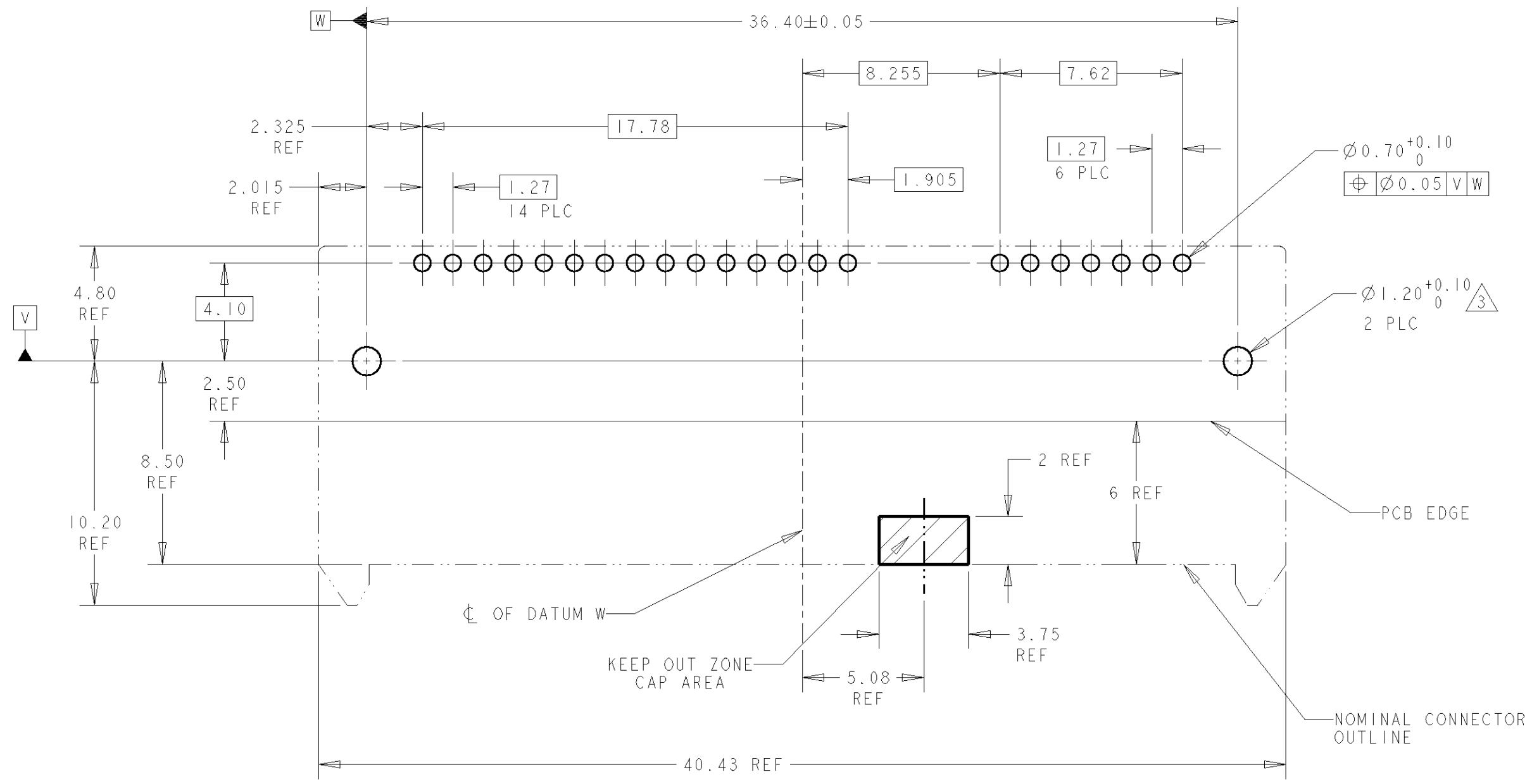
PART LIST	ITEM NO.
CAP	5
CONTACT	4
PIN	3
LOWER HOUSING	2
UPPER HOUSING	1

P/N: 1759925-1 AS SHOWN

THIS DRAWING IS A CONTROLLED DOCUMENT FOR AMP INCORPORATED. IT IS SUBJECT TO CHANGE AND THE CONTROLLING ENGINEERING ORGANIZATION SHOULD BE CONTACTED FOR THE LATEST REVISION.		DWN WYLEE 24JUL07	Tyco Electronics Singapore
DIMENSIONS: mm		CHK JASON CHOW 24JUL07	
TOLERANCES UNLESS OTHERWISE SPECIFIED:		APVD AP TAY 24JUL07	NAME REC ASSY A-FREE SATA H4.35
0 PLC ± 0.2 1 PLC ± 0.2 2 PLC ± 0.2 3 PLC ± 0.2 4 PLC ± 0.2 ANGLES $\pm 3^\circ$		PRODUCT SPEC 108-78274	SIZE A3
MATERIAL		APPLICATION SPEC -	CAGE CODE 00779
FINISH		WEIGHT -	DRAWING NO 1759925
1		CUSTOMER DRAWING	
2		SCALE 3:1 SHEET 1 OF 3 REV AI	

THIS DRAWING IS UNPUBLISHED. RELEASED FOR PUBLICATION .19 .
 © COPYRIGHT 19 BY AMP INCORPORATED. ALL RIGHTS RESERVED.

LOC	DIST	REVISIONS			
P	LTR	DESCRIPTION	DATE	DWN	APVD
DY	-	SEE SHEET 1			

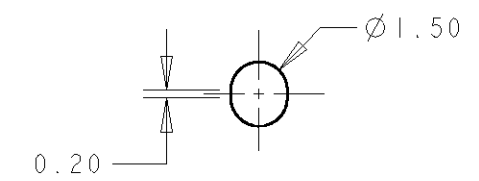
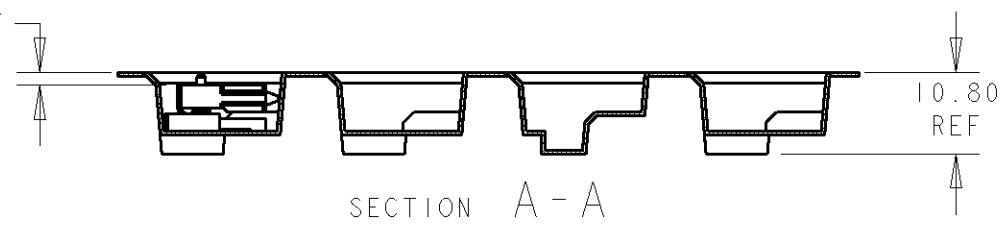
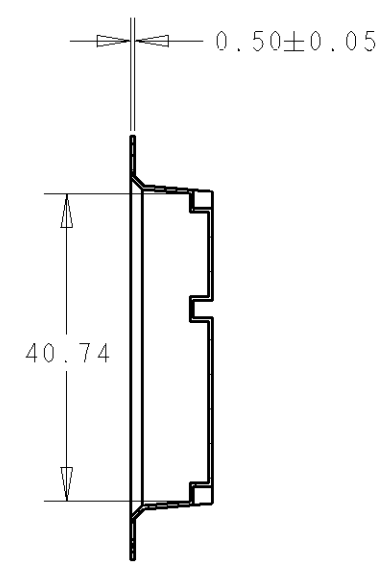
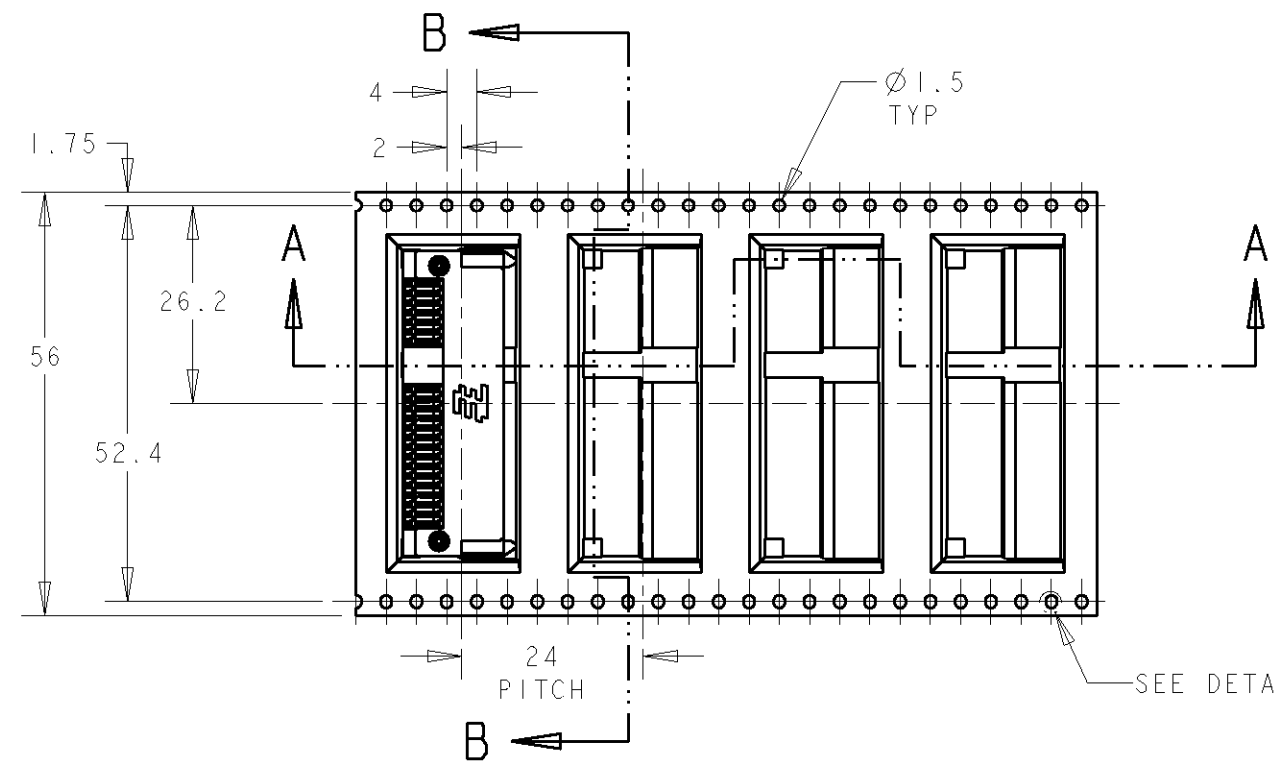


REFERENCE PCB LAYOUT
 REFERENCE PCB THICKNESS t=1.2
 SCALE 5:1

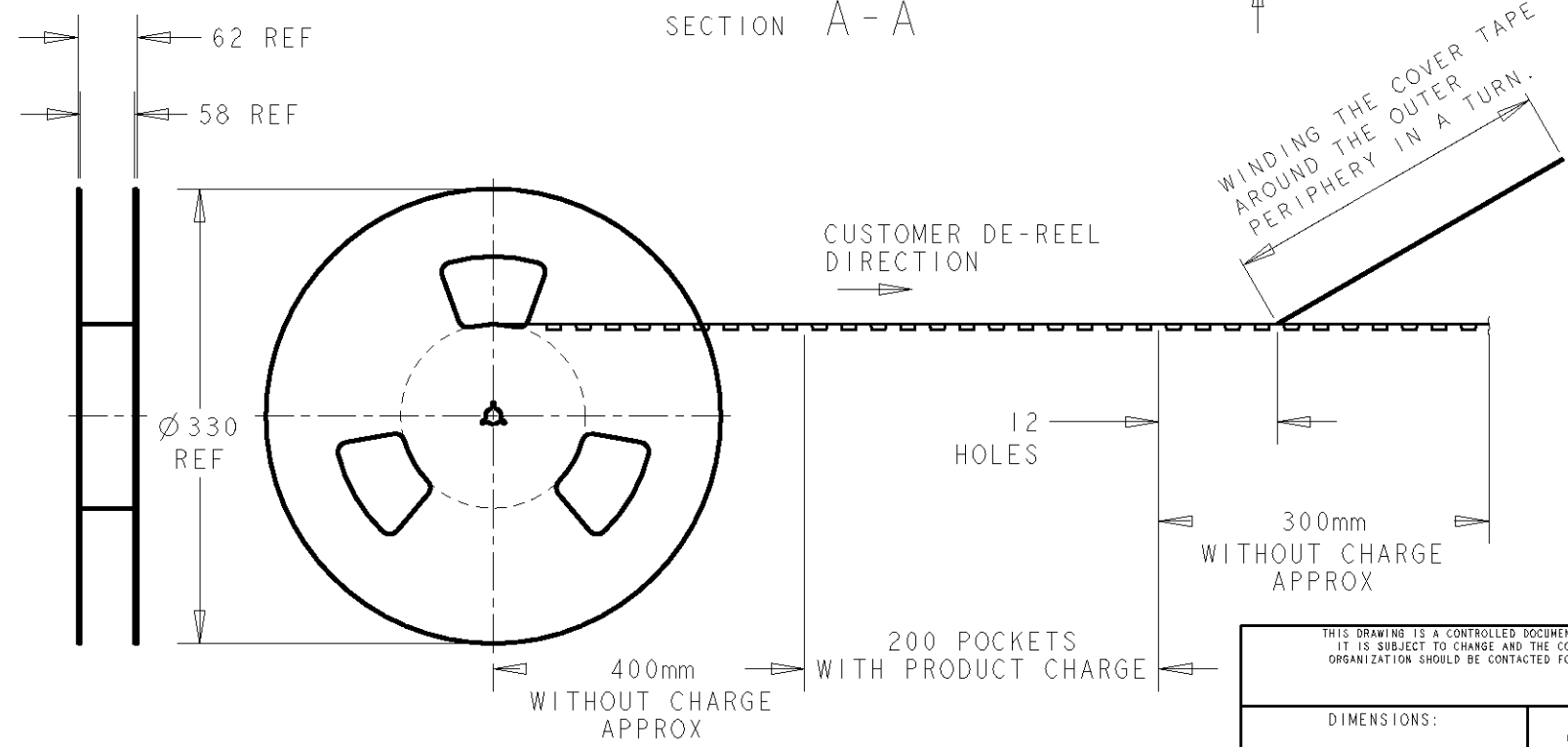
THIS DRAWING IS A CONTROLLED DOCUMENT FOR AMP INCORPORATED. IT IS SUBJECT TO CHANGE AND THE CONTROLLING ENGINEERING ORGANIZATION SHOULD BE CONTACTED FOR THE LATEST REVISION.		DWN WYLEE	24JUL07	Tyco Electronics Corporation Singapore	
DIMENSIONS: mm		CHK JASON CHOW	24JUL07	NAME REC ASSY A-FREE SATA H4.35	
TOLERANCES UNLESS OTHERWISE SPECIFIED: 0 PLC ± 1 PLC ± 2 PLC ± 3 PLC ± 4 PLC ± ANGLES ±		APVD AP TAY	24JUL07		
MATERIAL -		FINISH -		PRODUCT SPEC -	APPLICATION SPEC -
		WEIGHT -		SIZE A3	CAGE CODE 00779
		CUSTOMER DRAWING		DRAWING NO 1759925	SCALE - SHEET 2 OF 3 REV A1

THIS DRAWING IS UNPUBLISHED. RELEASED FOR PUBLICATION .19
 © COPYRIGHT 19 BY AMP INCORPORATED. ALL RIGHTS RESERVED.

LOC	DIST	REVISIONS			
P	LTR	DESCRIPTION	DATE	DWN	APVD
DY	-	SEE SHEET 1			



DETAIL C
SCALE 5:1



PEELING STRENGTH: 20g TO 70g
 PEELING ANGLE: 165° TO 180°
 PEELING SPEED: 300mm/MINUTE
 QUANTITY PER REEL: 200 PIECES

THIS DRAWING IS A CONTROLLED DOCUMENT FOR AMP INCORPORATED. IT IS SUBJECT TO CHANGE AND THE CONTROLLING ENGINEERING ORGANIZATION SHOULD BE CONTACTED FOR THE LATEST REVISION.		DWN WYLEE 24JUL07	Tyco Electronics Corporation Singapore													
DIMENSIONS: mm		CHK JASON CHOW 24JUL07	NAME REC ASSY A-FREE SATA H4.35													
TOLERANCES UNLESS OTHERWISE SPECIFIED:		APVD AP TAY 24JUL07														
<table border="1"> <tr><td>0 PLC</td><td>±</td></tr> <tr><td>1 PLC</td><td>±</td></tr> <tr><td>2 PLC</td><td>±</td></tr> <tr><td>3 PLC</td><td>±</td></tr> <tr><td>4 PLC</td><td>±</td></tr> <tr><td>ANGLES</td><td>±</td></tr> </table>		0 PLC	±	1 PLC	±	2 PLC	±	3 PLC	±	4 PLC	±	ANGLES	±	PRODUCT SPEC -	SIZE A3	CAGE CODE 00779
0 PLC	±															
1 PLC	±															
2 PLC	±															
3 PLC	±															
4 PLC	±															
ANGLES	±															
MATERIAL		APPLICATION SPEC -	DRAWING NO C-1759925	SCALE NTS												
FINISH -		WEIGHT -	SHEET 3 OF 3	REV A1												
CUSTOMER DRAWING																

X-ON Electronics

Largest Supplier of Electrical and Electronic Components

Click to view similar products for [I/O Connectors](#) category:

Click to view products by [TE Connectivity](#) manufacturer:

Other Similar products are found below :

[571763P](#) [58098-0628](#) [D20419-211](#) [D38999/20FJ24PA L/C](#) [D38999/20FJ29SB L/C](#) [D38999/24FG11SN L/C](#) [72.250.1628.2](#) [72.250.2428.2](#)
[74720-0505](#) [76.350.0729.0](#) [76871-1403](#) [FCN-244F080-G/1](#) [FCN-260A9920](#) [FCN-268D024-G/2F#10X-R10](#) [PCS-E50FA](#) [PCS-XE26LKA](#)
[PCS-XE26MA+](#) [PCS-XES68MS+](#) [G38A71314B](#) [DX40-50P\(55\)](#) [1571250010](#) [157-22500-3](#) [MS3471L14-19P L/C](#) [1888020-8](#) [91-569786-](#)
[35H](#) [91-569786-35M](#) [91-644626-35P](#) [SM3100F14S-58S](#) [172501-4002](#) [172501-6002](#) [FCN-260C008-A/L0](#) [FCN-260C024-AL0](#) [FCN-](#)
[261Z008](#) [FCN-268D008-G/1K](#) [2000314-1](#) [200331-1](#) [2007498-2](#) [PCR-E28LMDAG1+](#) [PCR-E36FC+](#) [PCS-E28FS+](#) [PCS-XE26SLFD+](#) [PCS-](#)
[XE26SLFDT+](#) [G38A71214B](#) [HDRA-E68W1LFDTC-SL+](#) [HDR-E14MSG1+](#) [R88A-CNK81S](#) [CRT1-ATT02](#) [54182-0605](#) [U90B2054081210](#)
[UE86K842720321](#)