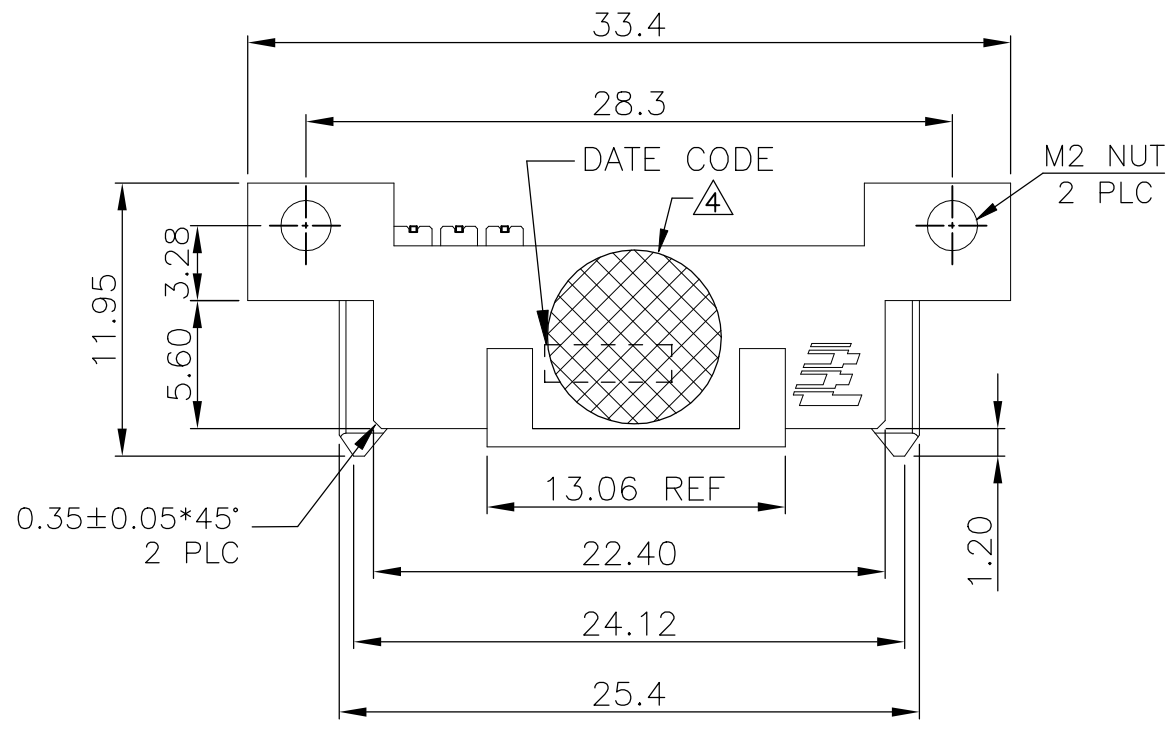
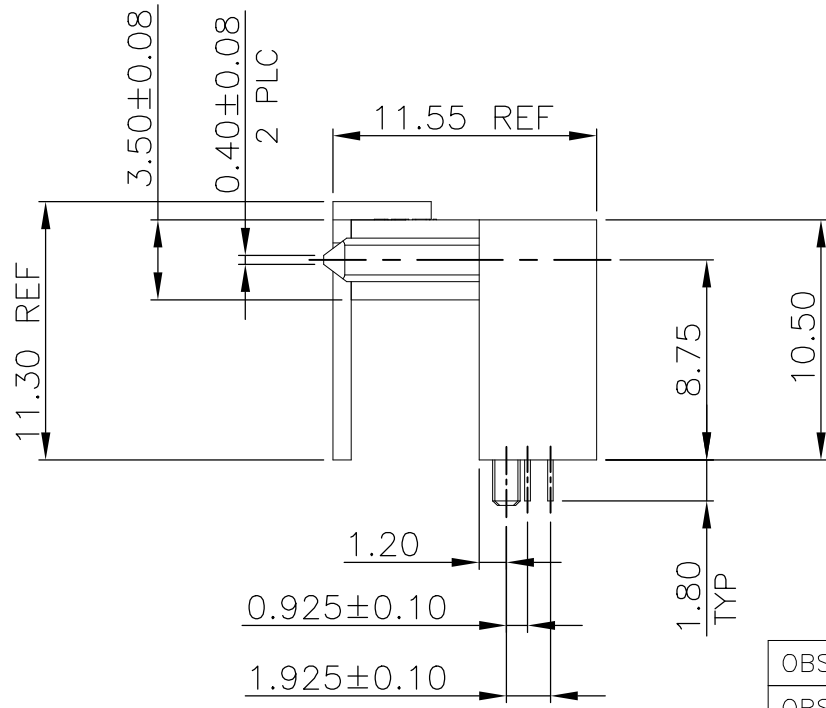
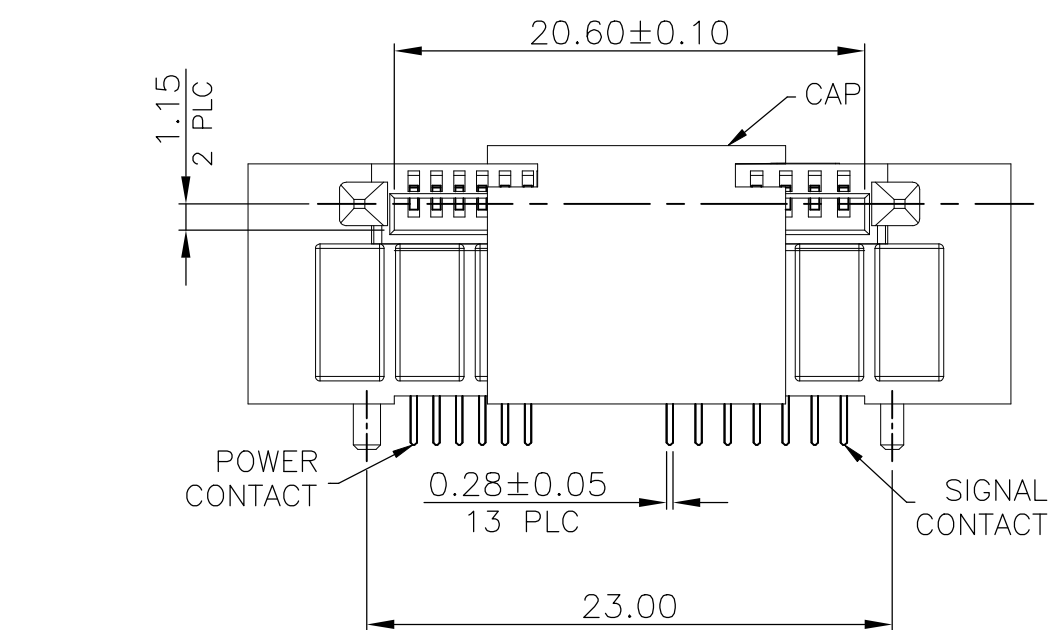


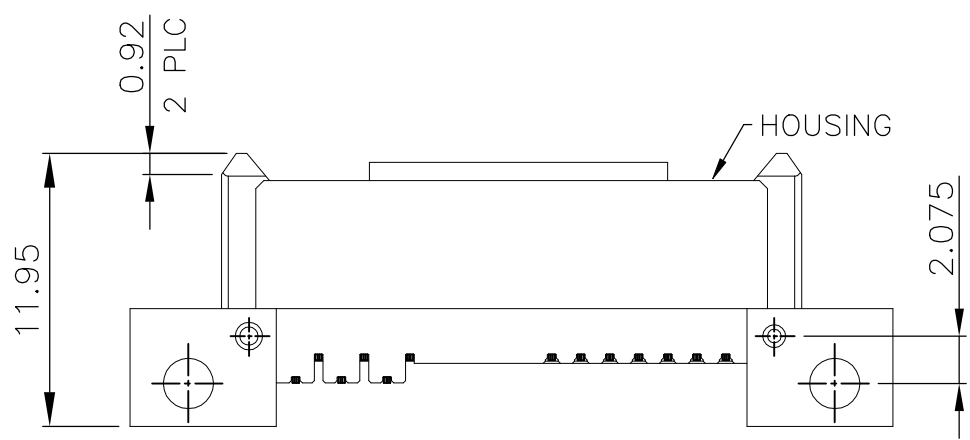
LOC DW	DIST	REVISIONS					
		P	LTR	DESCRIPTION	DATE	DWN	APVD
			F	REVISED (ECR-17-018729)	11APR2018	EZ	WK



- NOTES:
- MATERIAL:
HOUSING: HIGH TEMP THERMOPLASTIC(LCP), UL94V-0, BLACK COLOR.
CONTACT: PHOSPHOR BRONZE.
CAP: HIGH TEMP THERMOPLASTIC(LCP), UL94V-0, BLACK COLOR.
NUT: STAINLESS STEEL.
 - FINISH:
GOLD PLATED ON CONTACT AREA: (SEE TABLE)
2.54um[100u"] MIN. MATTE TIN PLATING ON SOLDER TAIL.
1.27um[50u"] MIN. NICKEL ENTIRE CONTACT UNDERPLATED.
 - REFLOW SOLDER CAPABLE TO 260°C PER TEST SPEC. 109-201, CONDITION B.
- △ PICK & PLACE VACUUM AREA.
⑤ NO CUMULATIVE TOLERANCE.



OBSOLETE	2.1 g	2.35 g	0.76um[30u"]	1759981-9
OBSOLETE	2.1 g	2.35 g	0.38um[15u"]	1759981-8
OBSOLETE	2.1 g	2.35 g	G/F	1759981-7
	W/O CAP WEIGHT	W/CAP WEIGHT	GOLD PLATING MIN.	PART NUMBER



THIS DRAWING IS A CONTROLLED DOCUMENT.		DWN J. LAI 08SEP2009	Tyco Electronics Corporation Taipei, Taiwan	
DIMENSIONS: MM		CHK S. CHIEN 08SEP2009	NAME	
TOLERANCES UNLESS OTHERWISE SPECIFIED: 0 PLC ± - 1 PLC ± 0.3 2 PLC ± 0.2 3 PLC ± 0.15 4 PLC ± - ANGLES ± 3'		APVD W. KODAMA 08SEP2009	SLIMLINE SATA RECEPTACLE, BOTTOM MOUNT, DIP, NUT TYPE	
MATERIAL SEE NOTE		PRODUCT SPEC 108-99008	SIZE A3	RESTRICTED TO
FINISH SEE NOTE		QUALIFICATION TEST REPORT 501-99009	CAGE CODE 00779	DRAWING NO C=1759981
		WEIGHT SEE TABLE	SCALE -	SHEET 1 OF 3
		CUSTOMER DRAWING	REV F	

THIS DRAWING IS UNPUBLISHED.

RELEASED FOR PUBLICATION

AUG ,2006.

© COPYRIGHT - BY TYCO ELECTRONICS CORPORATION.

ALL RIGHTS RESERVED.

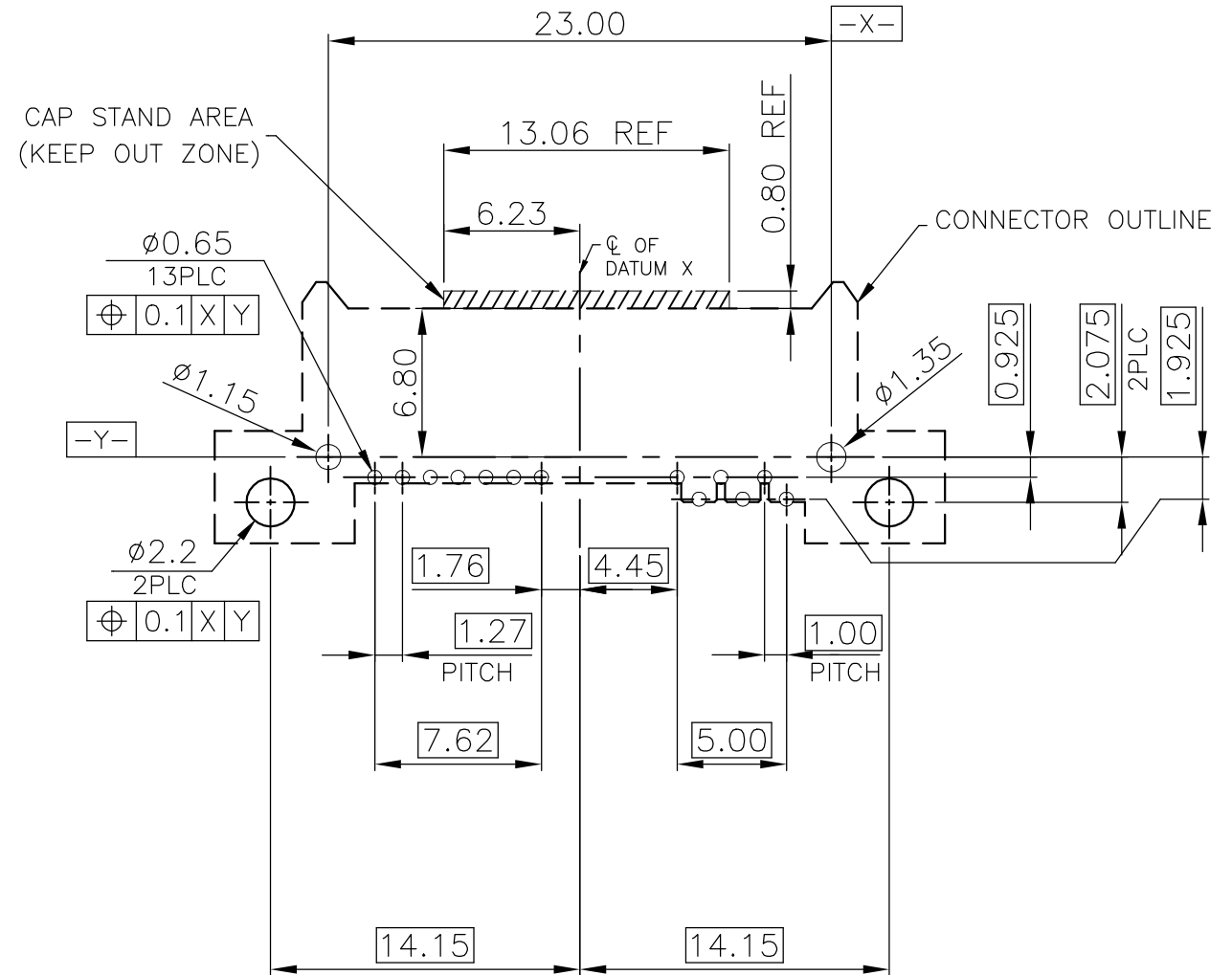
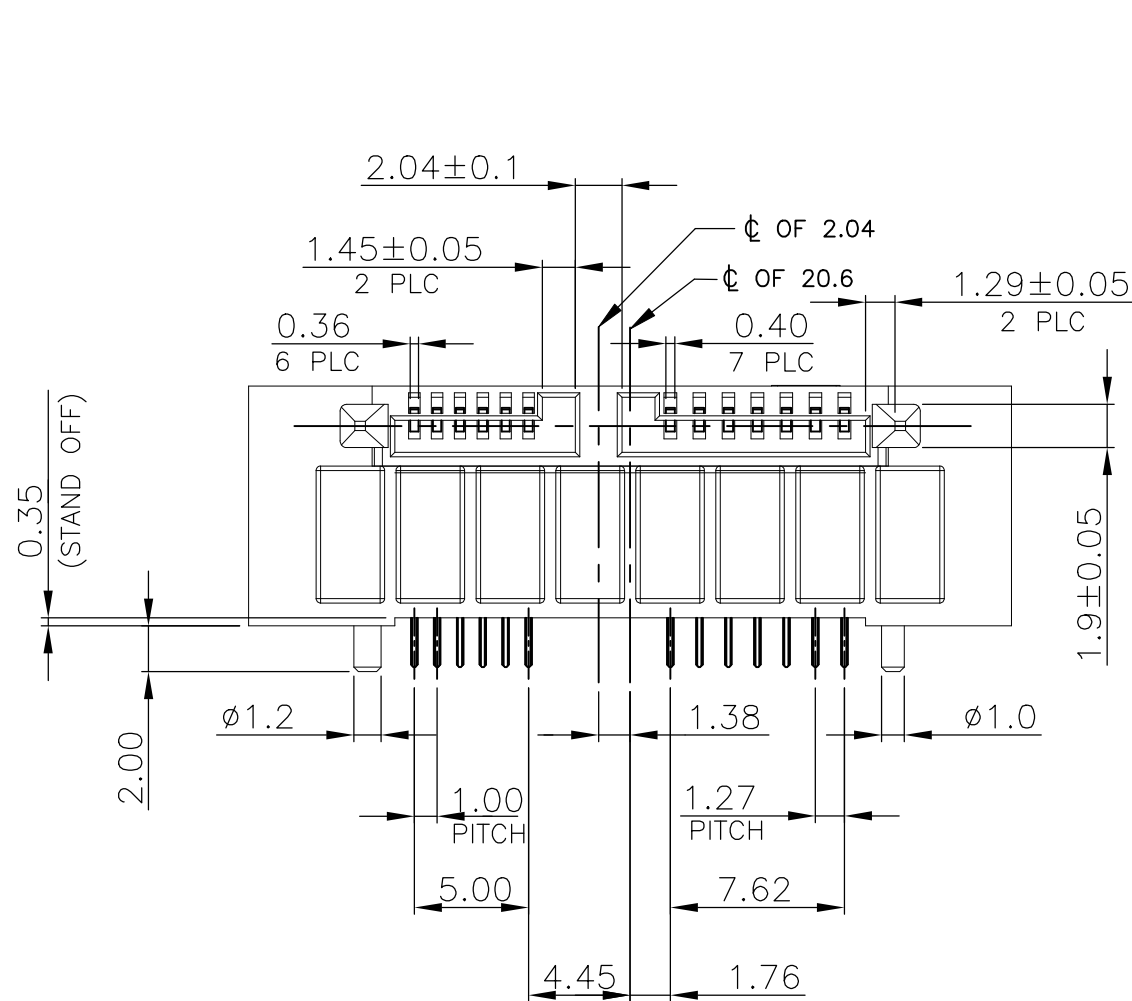
LOC DW

DIST

REVISIONS

P	LTR	DESCRIPTION	DATE	DWN	APVD
		SEE SHEET 1.			

(WITHOUT CAP)

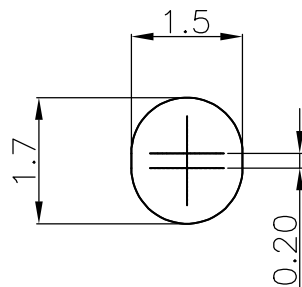
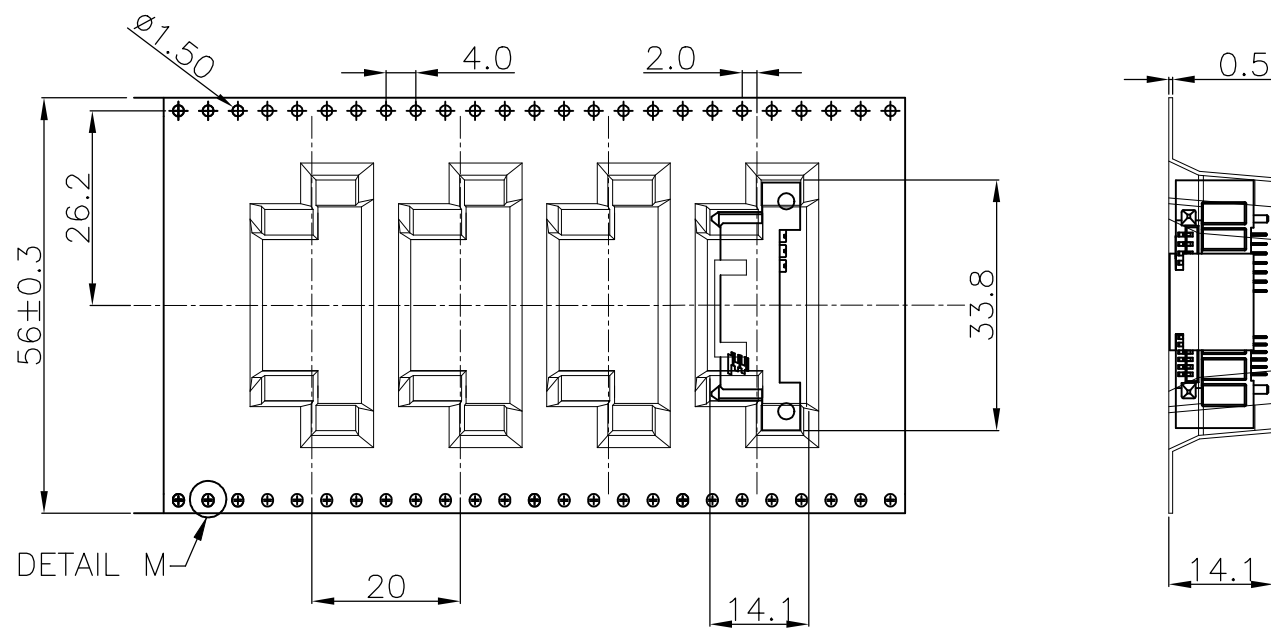


RECOMMENDED PCB LAYOUT
 TOLERANCE: ±0.05mm (COMPONENT VIEW)
 PCB THICKNESS 1.2mm

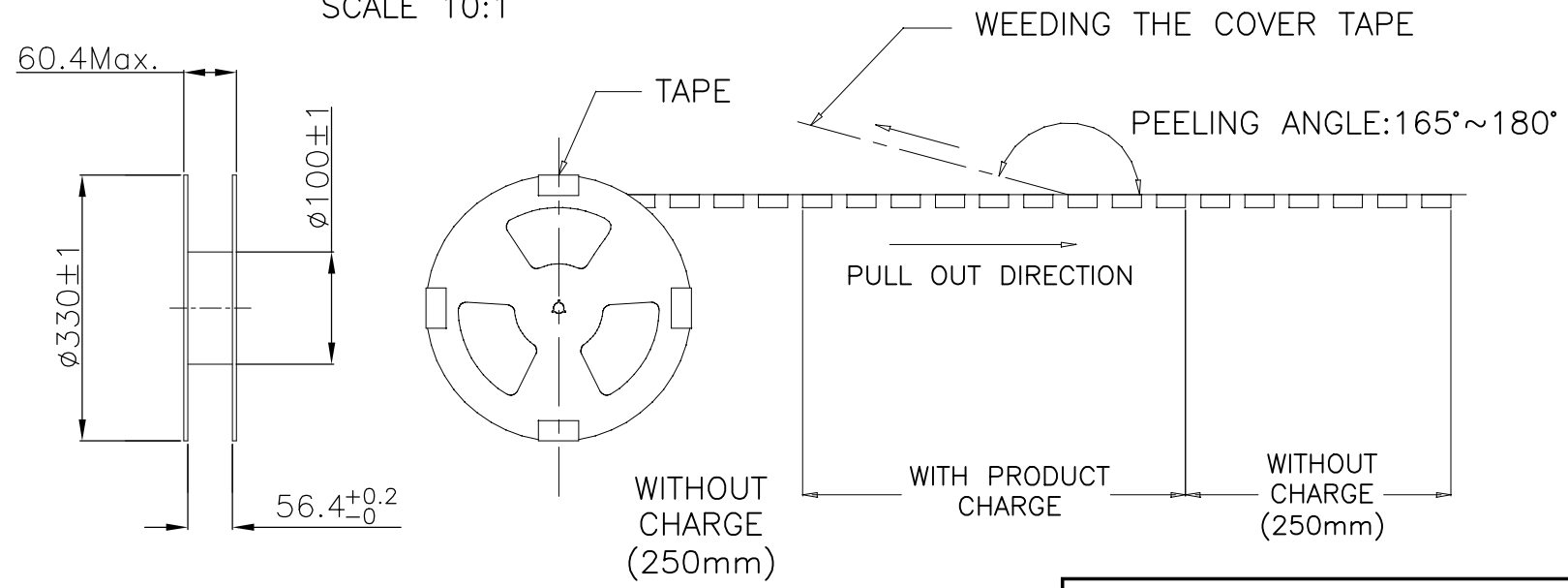
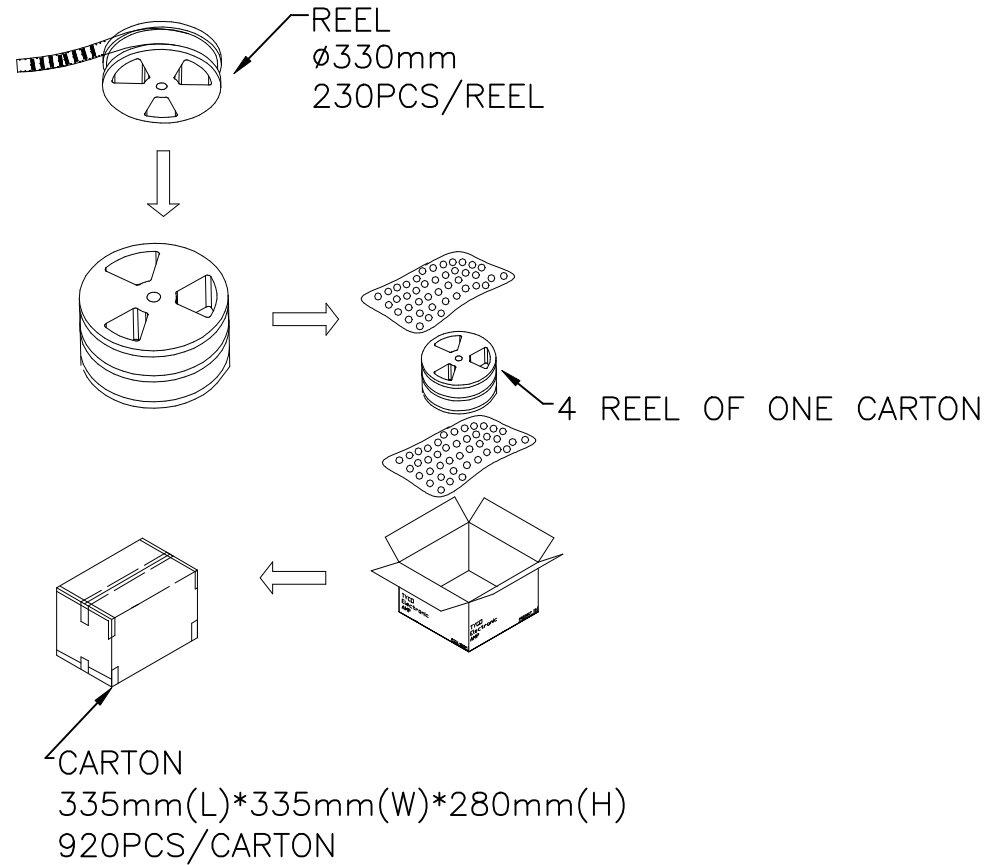
THIS DRAWING IS A CONTROLLED DOCUMENT.		DWN	Tyco Electronics Corporation Taipei, Taiwan		
DIMENSIONS: MM		CHK	NAME		
TOLERANCES UNLESS OTHERWISE SPECIFIED:		APVD	SLIMLINE SATA RECEPTACLE, BOTTOM MOUNT, DIP, NUT TYPE		
0 PLC ± -		PRODUCT SPEC	SIZE	CAGE CODE	DRAWING NO
1 PLC ± 0.3		APPLICATION SPEC	A3	00779	C=1759981
2 PLC ± 0.2		WEIGHT	RESTRICTED TO		
3 PLC ± 0.15			CUSTOMER DRAWING		
4 PLC ± -			SCALE	SHEET	REV
ANGLES ± 3'			-	2 OF 3	F
MATERIAL	FINISH				

THIS DRAWING IS UNPUBLISHED. RELEASED FOR PUBLICATION AUG, 2006.
 © COPYRIGHT BY TYCO ELECTRONICS CORPORATION. ALL RIGHTS RESERVED.

LOC	DIST	REVISIONS			
P	LTR	DESCRIPTION	DATE	DWN	APVD
DW		SEE SHEET 1.			



DETAIL M
SCALE 10:1



OBSOLETE	230	920	1759981-9
OBSOLETE	230	920	1759981-8
OBSOLETE	230	920	1759981-7
	PCS/REEL	PCS/CARTON	P/N

THIS DRAWING IS A CONTROLLED DOCUMENT.		DWN	Tyco Electronics Corporation Taipei, Taiwan	
DIMENSIONS: MM		CHK	NAME	
TOLERANCES UNLESS OTHERWISE SPECIFIED:		APVD	SLIMLINE SATA RECEPTACLE, BOTTOM MOUNT, DIP, NUT TYPE	
0 PLC ± -		PRODUCT SPEC	SIZE	CAGE CODE
1 PLC ± -		APPLICATION SPEC	A3	00779
2 PLC ± -		WEIGHT	DRAWING NO	
3 PLC ± -			C=1759981	
4 PLC ± -			RESTRICTED TO	
ANGLES ± -				
FINISH		CUSTOMER DRAWING		
		SCALE	SHEET	REV
			3 OF 3	F

X-ON Electronics

Largest Supplier of Electrical and Electronic Components

Click to view similar products for [Automotive Connectors](#) category:

Click to view products by [TE Connectivity](#) manufacturer:

Other Similar products are found below :

[003-018-000](#) [600858](#) [60403001](#) [60993906-B](#) [60993913-B](#) [629515004020001](#) [M83723/71R1808N L/C](#) [M902-2131](#) [M902-2161](#) [M902-2344](#)
[72.330.1035.1](#) [73.353.4028.0](#) [F118010](#) [F119300-B](#) [F132210](#) [F166900](#) [F180100](#) [F258300](#) [F258300-B](#) [F294300-B](#) [F339100](#) [F339700](#)
[F358300-B](#) [F374110](#) [F407400](#) [F412210](#) [F444110](#) [F487000](#) [F495100](#) [F500900-B](#) [F509500B-B](#) [770444-1](#) [827153-1](#) [881735-1](#)
[8N1515-32-24P](#) [9-1326729-8](#) [925467-1](#) [925474-1](#) [928905-1](#) [936398-2](#) [964562-4](#) [964731-2](#) [968782-1](#) [GT17SA-8DS-HU](#) [GT17VS-10DP-](#)
[5.2CF](#) [98315-0001](#) [98315-0010](#) [98891-1012](#) [98895-2014](#) [98936-1039](#)