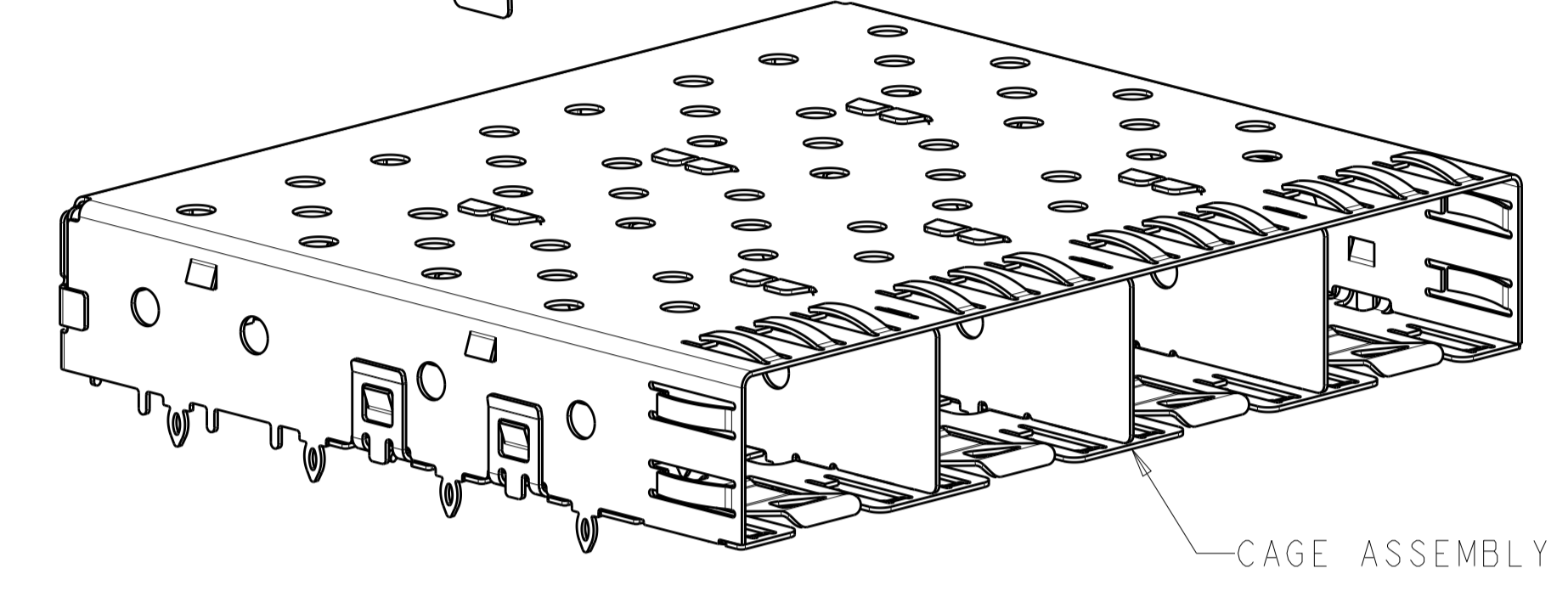
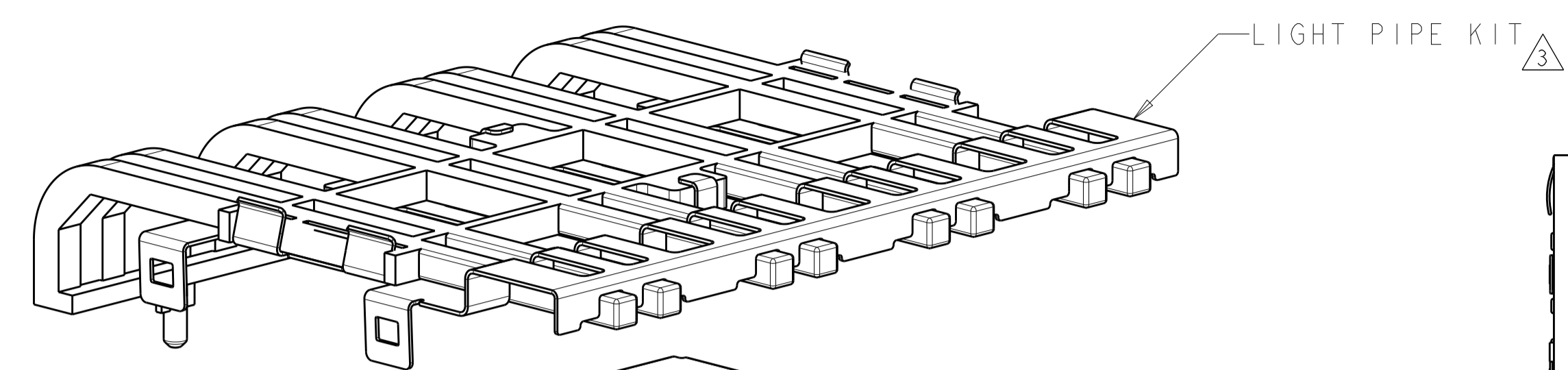
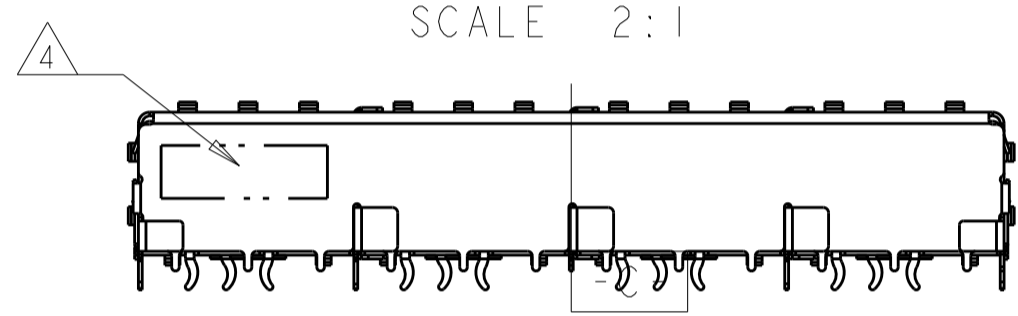
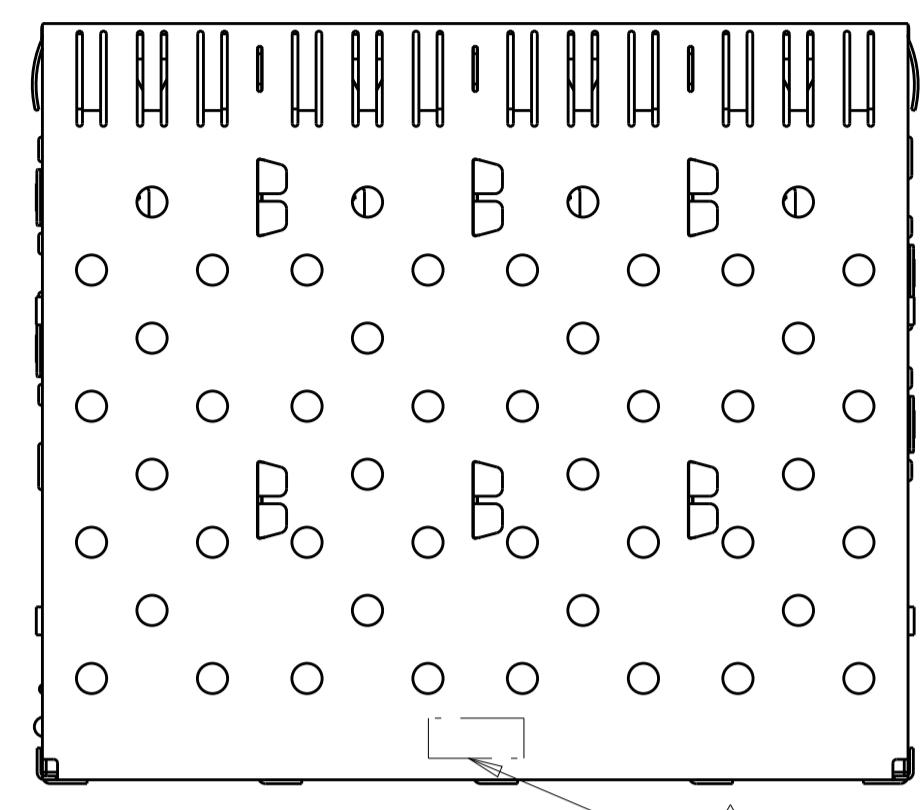


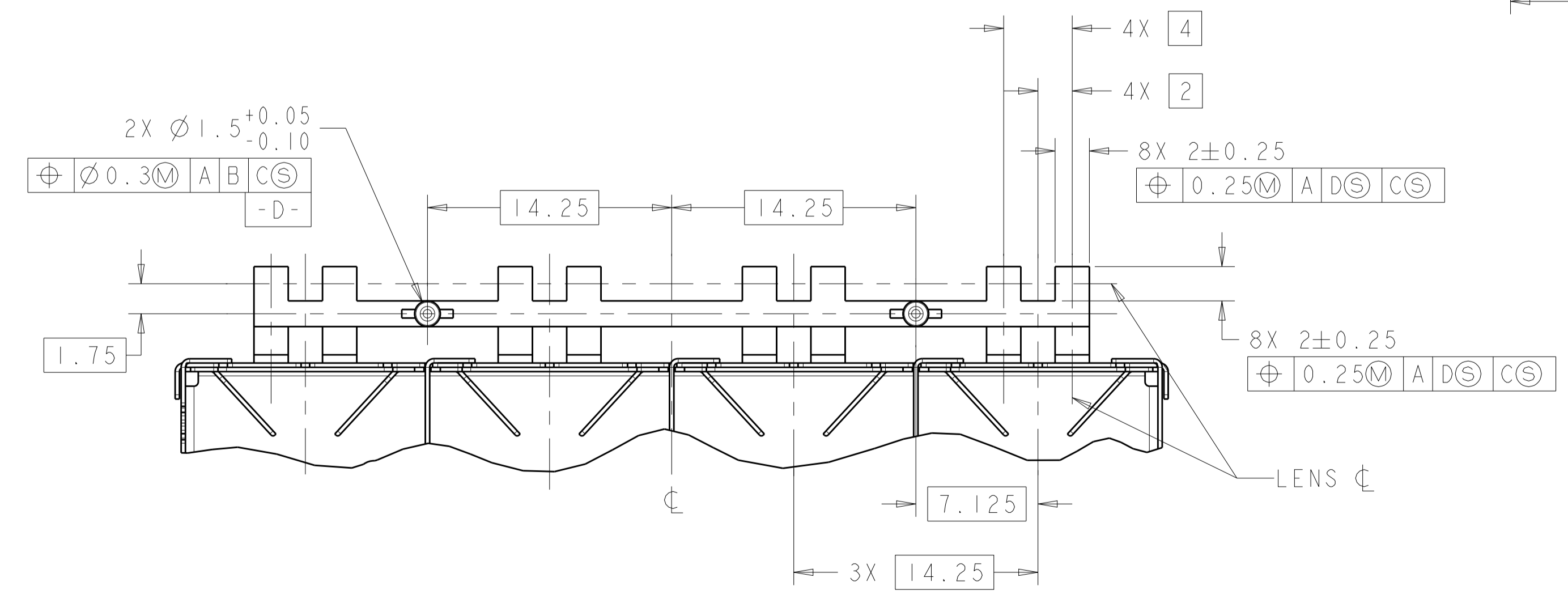
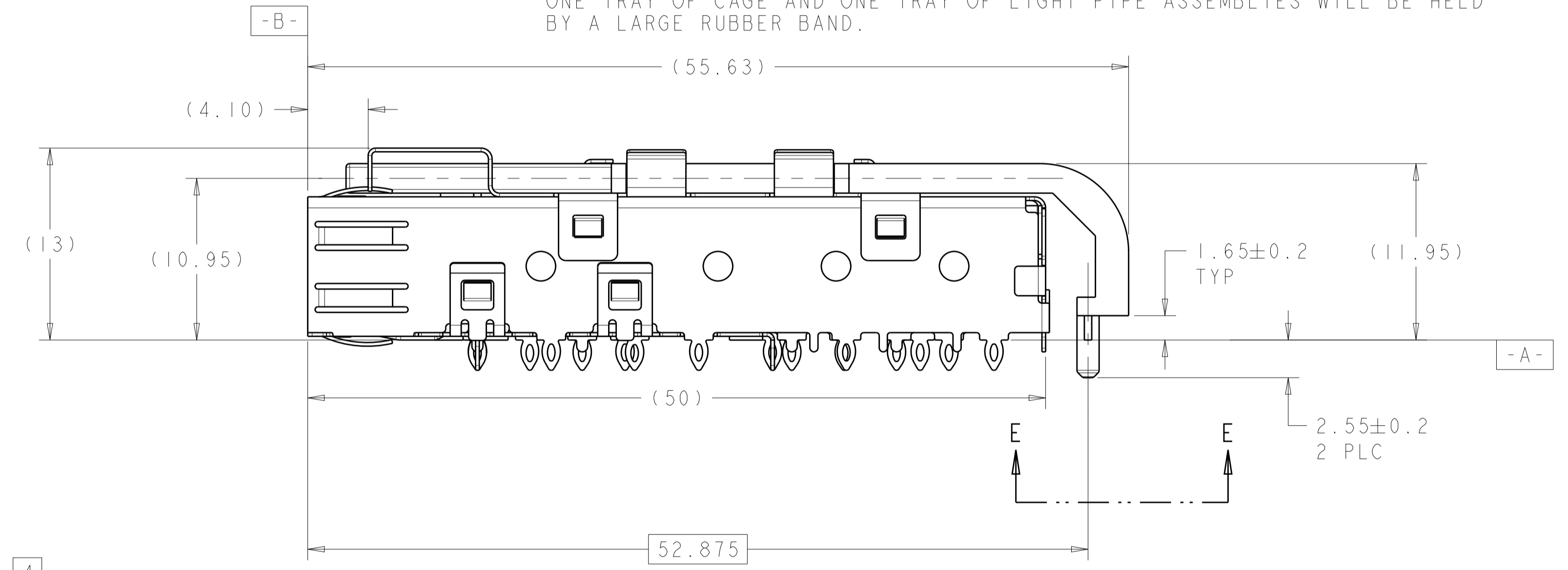
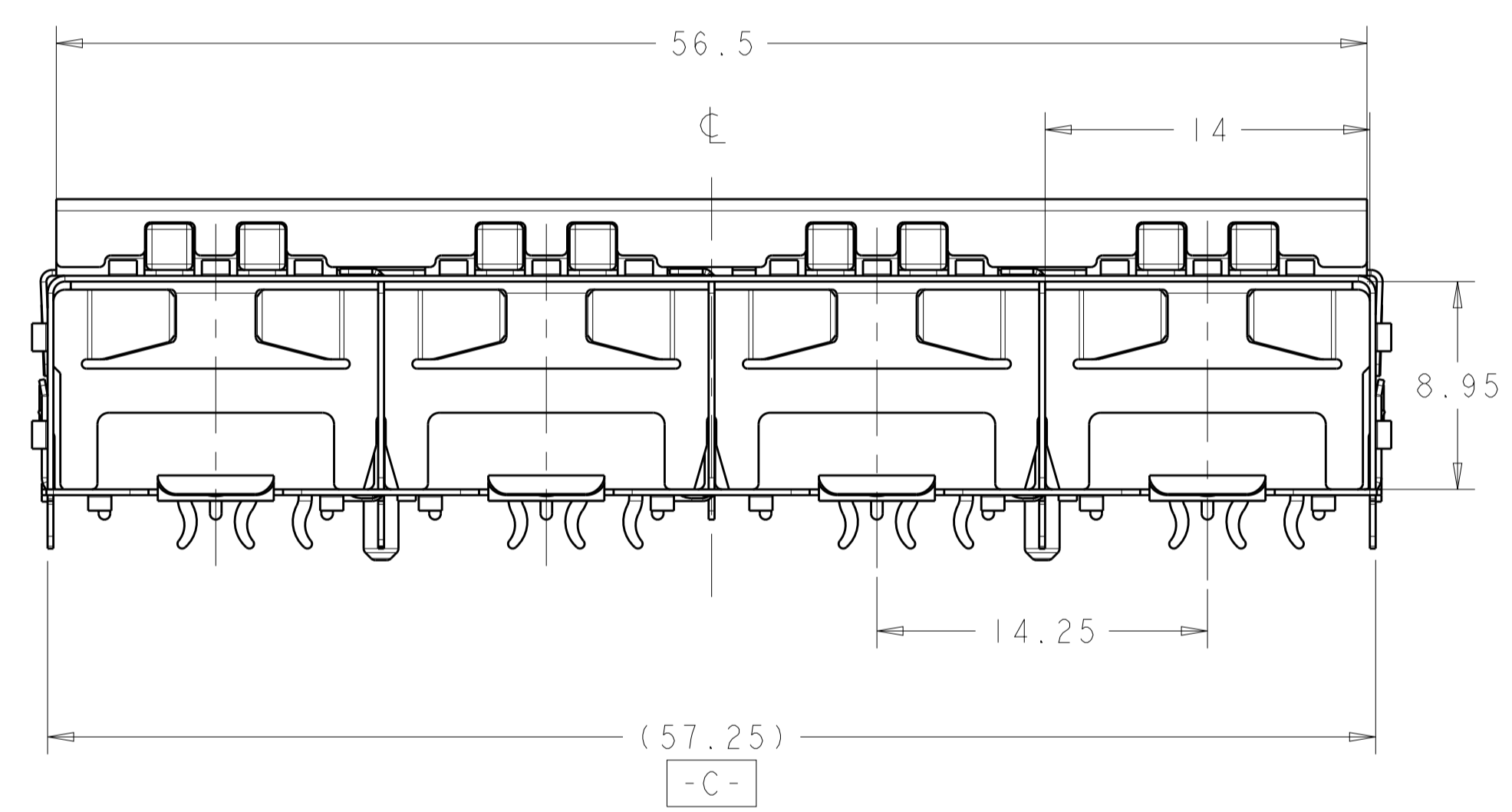
LOC		DIST		REVISIONS			
GP	00	P	LTN	DESCRIPTION	DATE	DWN	APVD
		E1		REVISED PER ECO-11-007052	06APR2011	JY	CW
		F		REVISED PER ECO-14-000886	20FEB2014	JW	SH
		F1		REVISED PER ECO-14-010419	11JUL2014	JW	SH
		G		REVISED PER ECO-15-013594	22SEP2015	JW	SH



1761008-1, -2, -3, -4
SCALE 3:1



- △ PADS AND VIAS CHASSIS GROUND.
- △ DATUM AND BASIC DIMENSIONS ESTABLISHED BY CUSTOMER.
- △ LIGHT PIPE KIT WHICH IS SEPARATE FROM THE CAGE ASSEMBLY. KIT TO BE ATTACHED AFTER SEATING OF 1658744-1&3 ON PCB.
- △ DATE CODE AND PART NUMBER IN APPROXIMATE AREA SHOWN LABEL ON CAGE ASSEMBLY WILL HAVE PART NUMBER 1658744-1&3.
- 5. REFERENCE STYLE 1 ON APPLICATION SPECIFICATION 114-13165 FOR ADDITIONAL INFORMATION ON CAGE ASSEMBLIES WITH LIGHT PIPES.
- △ REFERENCE APPLICATION SPEC 114-13120, HOLE A, FOR RECOMMENDED DRILL HOLE DIAMETER AND PLATING THICKNESSES.
- △ REFERENCE APPLICATION SPEC 114-13120, HOLE B, FOR RECOMMENDED DRILL HOLE DIAMETER AND PLATING THICKNESSES.
- △ PATTERN REPEATS FOR EACH PORT. SPACING BETWEEN PORTS IS 14.25mm.
- △ MINIMUM PC BOARD THICKNESS = 1.50mm.
- △ COMPANY LOGO IN APPROXIMATE AREA SHOWN.
- △ BOX WILL CONTAIN TRAYS OF CAGES AND TRAYS OF LIGHT PIPE ASSEMBLIES.
- △ BOX WILL CONTAIN TRAYS OF CAGES AND TRAYS OF LIGHT PIPE ASSEMBLIES. ONE TRAY OF CAGE AND ONE TRAY OF LIGHT PIPE ASSEMBLIES WILL BE HELD BY A LARGE RUBBER BAND.

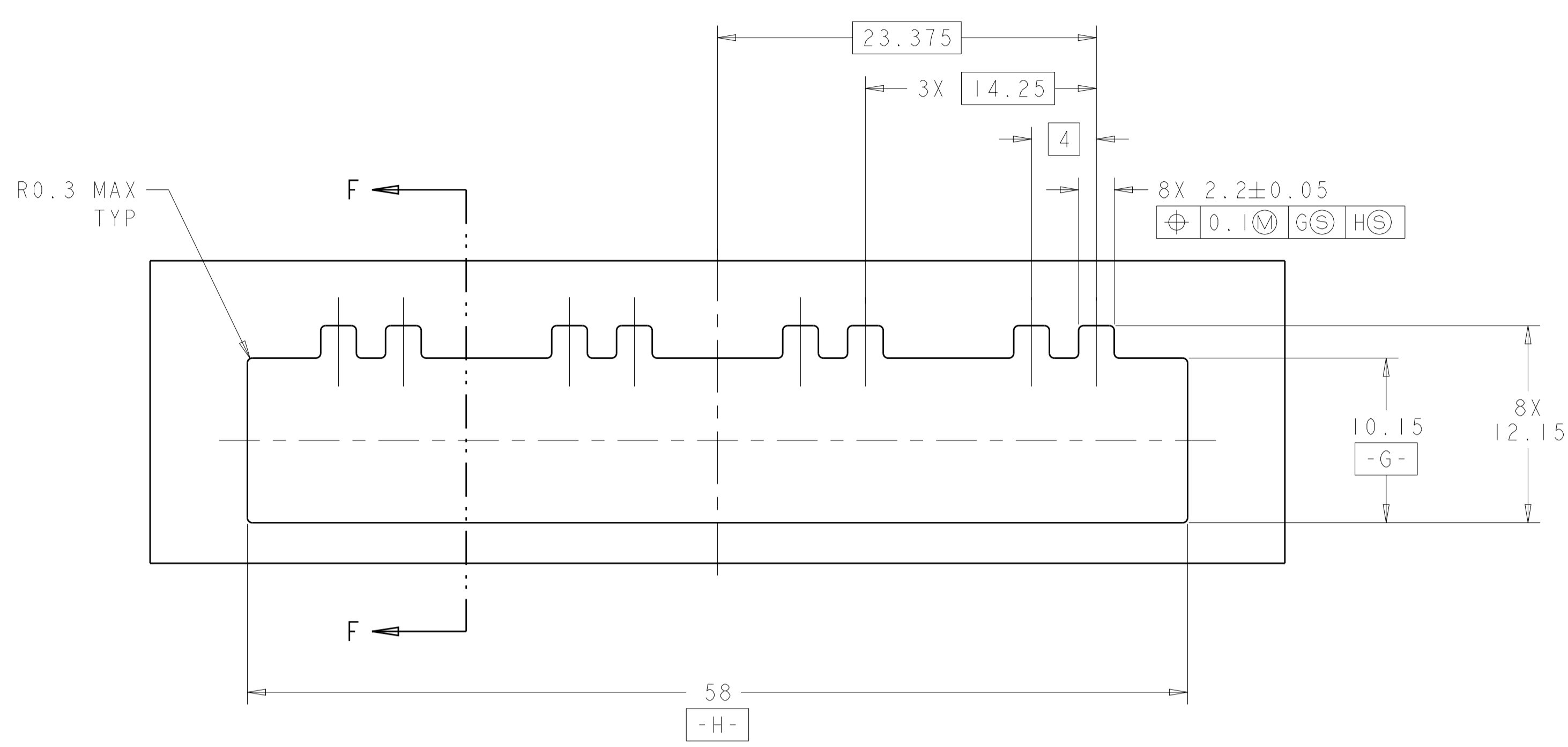


SUPERSEDED BY:
1761008-4
SUPERSEDED BY:
1761008-3

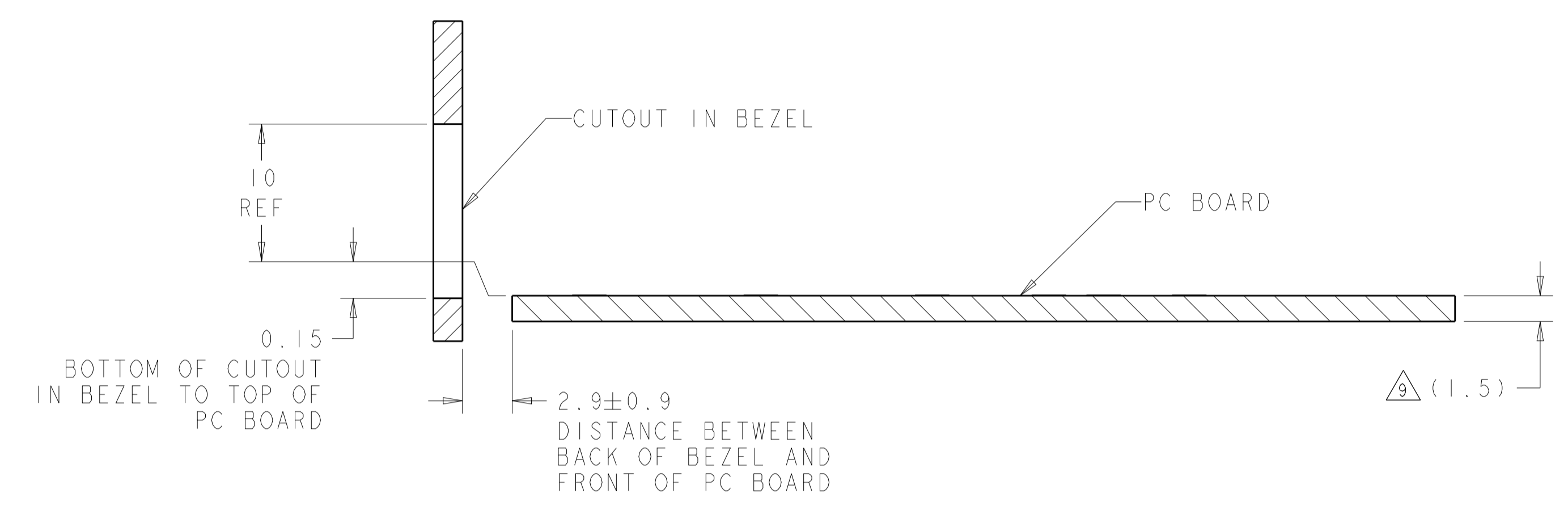
LIGHT PIPE KIT	CAGE ASSEMBLY	PACKAGE	DESCRIPTION	PART NO.
1761012-3	1658744-3	△2	1X4 ASSEMBLY	1761008-4
1761012-3	1658744-3	△1	1X4 ASSEMBLY	1761008-3
1761012-1	1658744-1	△2	1X4 ASSEMBLY	1761008-2
1761012-1	1658744-1	△1	1X4 ASSEMBLY	1761008-1

THIS DRAWING IS A CONTROLLED DOCUMENT.		DWN	J. VAN SCOYK	02FEB2004
DIMENSIONS:		CHK	M. PHILLIPS	02FEB2004
mm	0 PLC ±0.1	APVD	M. PHILLIPS	02FEB2004
	1 PLC ±0.1	NAME		
	2 PLC ±0.10	SFP		
	3 PLC ±0.100	1X4 CAGE ASSEMBLY WITH LIGHT PIPE		
	4 PLC ±0.100	APPLICATION SPEC		
	ANGLES ±°	114-13120		
MATERIAL	FINISH	WEIGHT	SIZE CAGE CODE DRAWING NO	
			A100779C=1761008	
CUSTOMER DRAWING		SCALE	4:1	SHEET 1 OF 3
		REV	G	

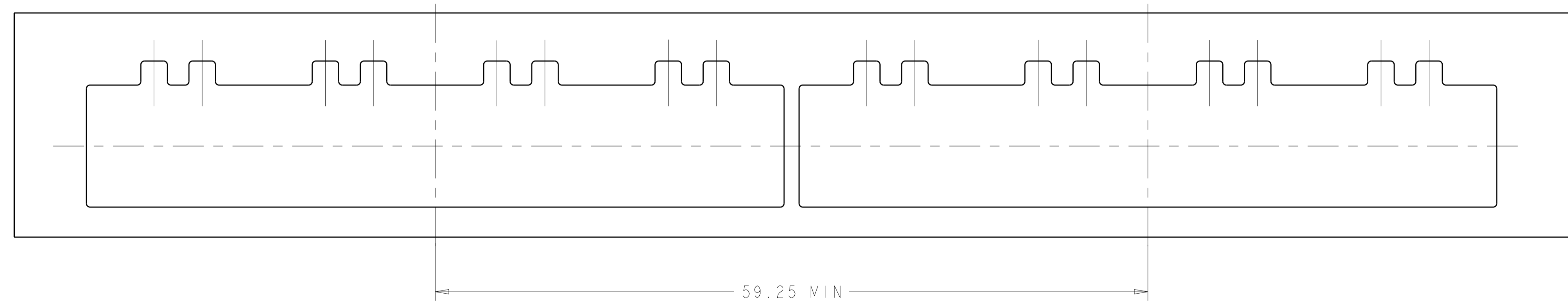
LOC		DIST		REVISIONS			
P	LTN	DESCRIPTION	DATE	DWN	APVD		
-	-	SEE SHEET 1	-	-	-		



RECOMMENDED BEZEL CUTOUT



SECTION F-F
 RECOMMENDED BEZEL CONFIGURATION



THIS DRAWING IS A CONTROLLED DOCUMENT.		DWN: W. VAN SCOY 02FEB2004	TE Connectivity
DIMENSIONS: mm		CHK: M. PHILLIPS 02FEB2004	
TOLERANCES UNLESS OTHERWISE SPECIFIED:		APVD: M. PHILLIPS 02FEB2004	NAME: SFP
0 PLC ±0.1		PRODUCT SPEC	1X4 CAGE ASSEMBLY WITH LIGHT PIPE
1 PLC ±0.1		108-1950	
2 PLC ±0.10		APPLICATION SPEC	
3 PLC ±0.100		114-13120	
4 PLC ±	FINISH: 40°/30°	WEIGHT: -	RESTRICTED TO: -
MATERIAL: -		CUSTOMER DRAWING	SCALE: 4:1 SHEET 2 OF 3 REV G

X-ON Electronics

Largest Supplier of Electrical and Electronic Components

Click to view similar products for [I/O Connectors](#) category:

Click to view products by [TE Connectivity](#) manufacturer:

Other Similar products are found below :

[571763P](#) [72.250.1628.2](#) [72.250.2428.2](#) [74720-0505](#) [76.350.0729.0](#) [76871-1403](#) [FCN-244F080-G/1](#) [FCN-260A9920](#) [MP-5T180MUNNA-005](#)
[PCR-E36PM](#) [PCS-XE26MA+](#) [G38A71314B](#) [1571250010](#) [157-22500-3](#) [MS3471L14-19P L/C](#) [91-569786-35H](#) [172501-4002](#) [172501-6002](#)
[FCN-260C008-A/L0](#) [FCN-260C024-AL0](#) [FCN-261Z008](#) [2000314-1](#) [200331-1](#) [PCR-E36FC+](#) [PCS-E28FS+](#) [PCS-XE26SLFD+](#) [PCS-](#)
[XE26SLFDT+](#) [G730VID08BDC24](#) [U90B2054081210](#) [UE86K842720321](#) [38113800006](#) [DP3AR020WQ1R200](#) [Z4.102.0680.0](#) [500-1040](#)
[500-1052](#) [500-1054](#) [ZP-4008-66L](#) [0709821002](#) [10-565995-597N](#) [DX40-20P\(55\)](#) [5554841-1](#) [MS3474W18-8P-LC*](#) [U90B3054061110](#) [U65-](#)
[E04-4020](#) [ZPF000000000097891](#) [557-262M2-06C](#) [747360449](#) [10099439-003C-TRLF](#) [10137239-0021LF](#) [E9320-001-01](#)