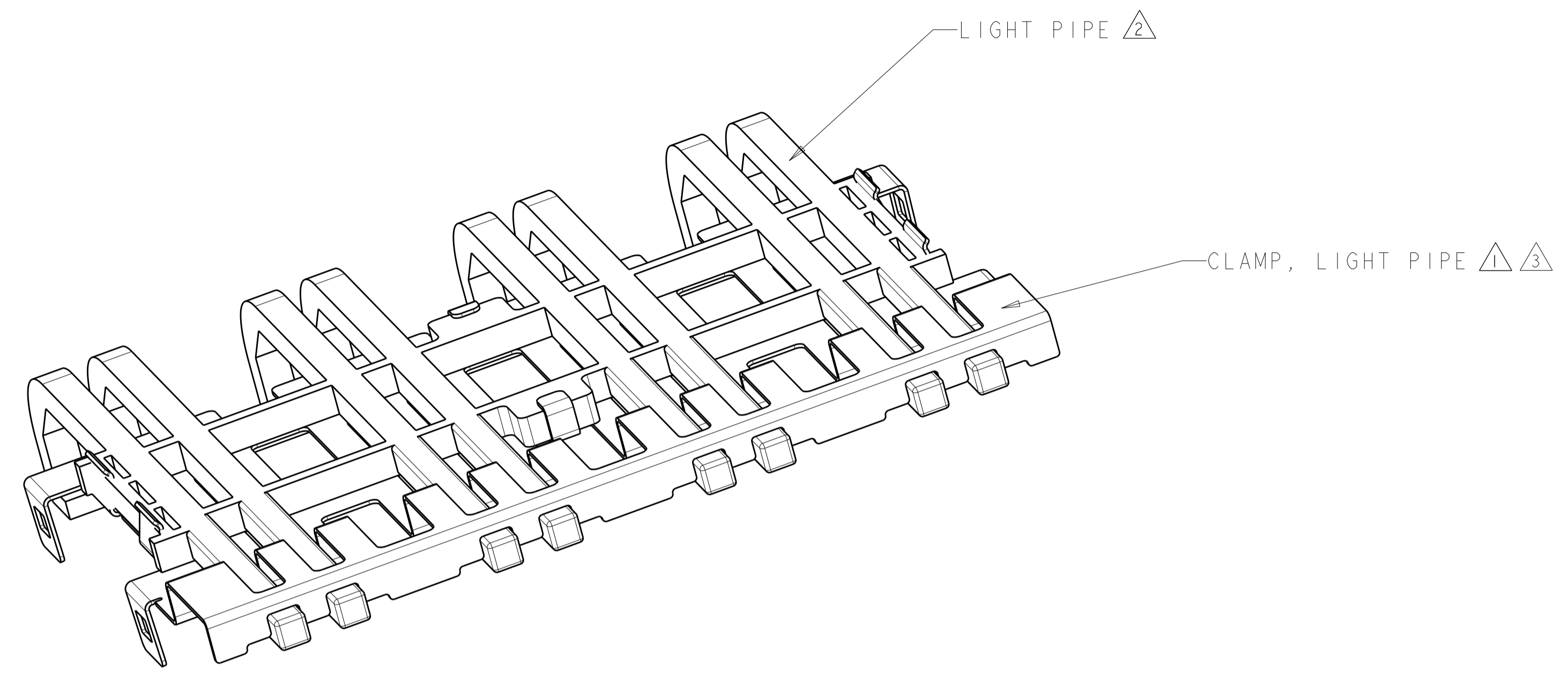
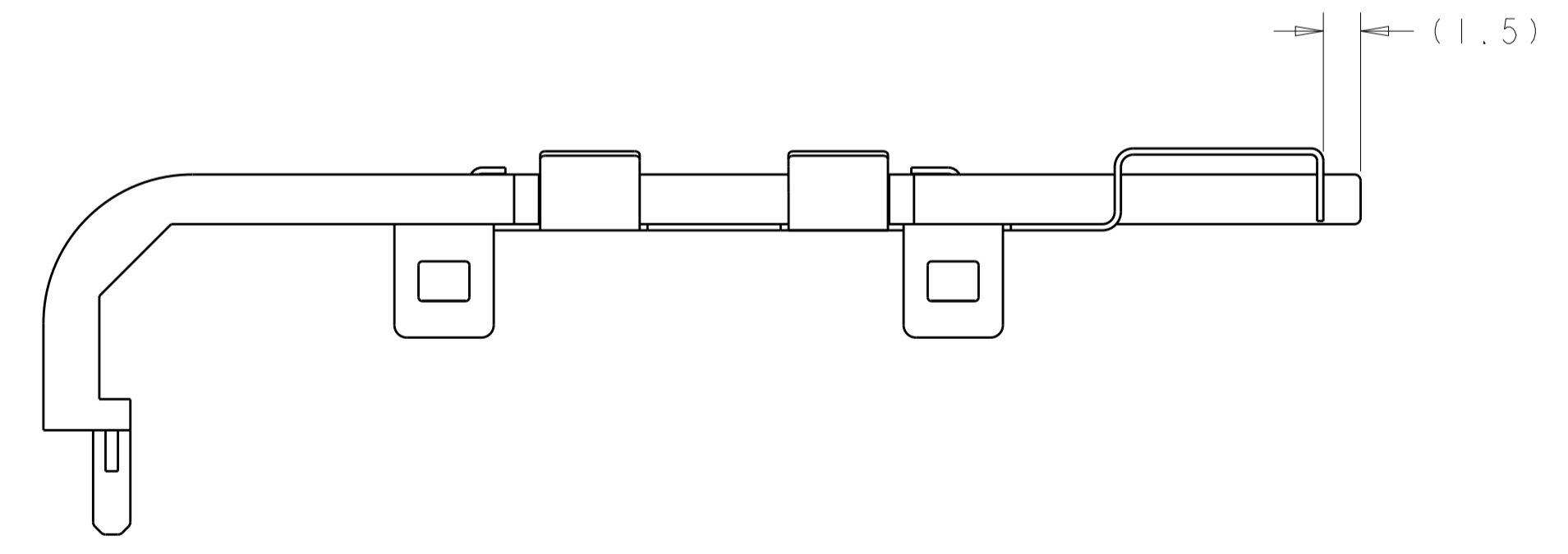
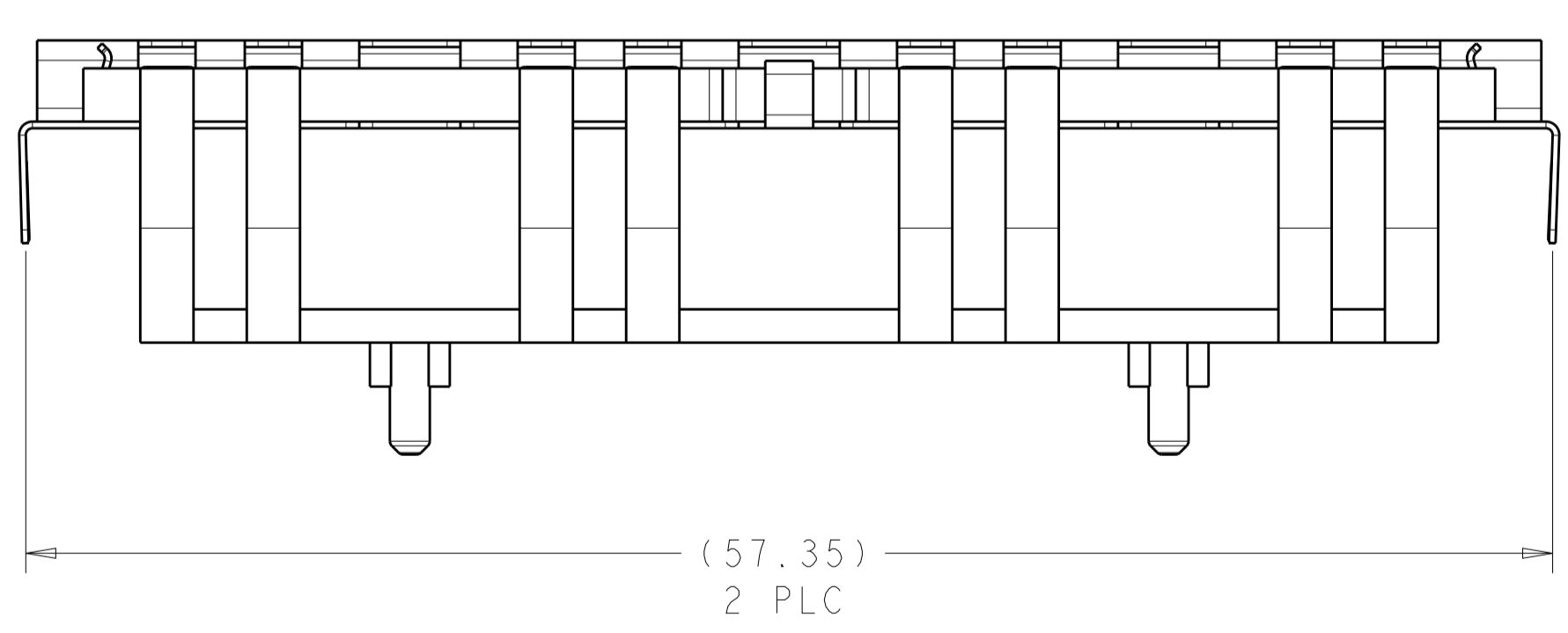


LOC	DIST	REVISIONS			
P	LTN	DESCRIPTION	DATE	DWN	APVD
A		RELEASED PER EC OS13-0325-04	08JUL2004	JK	MJP
A1		REVISED PER ECO-07-011809	21MAY2007	ZMR	JRK
A2		REVISED PER ECO-14-010419	11JUL2014	JW	SH
B		REVISED PER ECO-15-013594	25SEP2015	JW	SH



- △ COPPER ALLOY, TIN PLATED PER ASTM B 545, 1.25 μm MINIMUM THICKNESS, OVER NICKEL FLASH PER QQ-N-290. NON PLATED EDGES ARE PERMISSIBLE
- △ POLYCARBONATE, CLEAR.
- △ NICKEL SILVER ALLOY (NO PLATING)



SUPERSEDED BY:
1761012-3

△	1X4 LIGHT PIPE KIT	1761012-3
△	1X4 LIGHT PIPE KIT	1761012-1
CLAMP MATERIAL	DESCRIPTION	PART NO

THIS DRAWING IS A CONTROLLED DOCUMENT.		DWN W. VAN SCOY 09MAR2004	TE Connectivity
DIMENSIONS: mm		CHK M. J. PHILLIPS 09MAR2004	
TOLERANCES UNLESS OTHERWISE SPECIFIED:		APVD M. J. PHILLIPS 09MAR2004	NAME ASSEMBLY, LIGHT PIPE KIT 1X4, SFP
0 PLC ±	1 PLC ±0.10	PRODUCT SPEC	SIZE A1
2 PLC ±	3 PLC ±	APPLICATION SPEC	CAGE CODE C=1761012
4 PLC ±	ANGLES ±2°	RESTRICTED TO	SCALE 4:1
MATERIAL	FINISH	WEIGHT	SHEET 1 OF 1
CUSTOMER DRAWING		REV B	

X-ON Electronics

Largest Supplier of Electrical and Electronic Components

Click to view similar products for [I/O Connectors](#) category:

Click to view products by [TE Connectivity](#) manufacturer:

Other Similar products are found below :

[571763P](#) [D20419-211](#) [72.250.1628.2](#) [72.250.2428.2](#) [76.350.0729.0](#) [76871-1403](#) [PCR-E36PM](#) [PCS-XE26LKA](#) [PCS-XES68MS+](#)
[G38A71314B](#) [9776-18-6](#) [DX40-50P\(55\)](#) [1571250010](#) [157-22500-3](#) [MS3471L14-19P L/C](#) [192991-0703](#) [FCN-260C008-A/L0](#) [FCN-260C024-](#)
[AL0](#) [FCN-261Z008](#) [2000314-1](#) [200331-1](#) [PCS-E28FS+](#) [PCS-XE26SLFD+](#) [PCS-XE26SLFDT+](#) [G730VID08BDC24](#) [HDMR-29-01-S-SM-](#)
[TR](#) [HDRA-E68W1LFDTC-SL+](#) [54182-0605](#) [U90B2054081210](#) [UE86K842720321](#) [38113800006](#) [Z4.102.0680.0](#) [500-1040](#) [500-1052](#) [500-](#)
[1054](#) [ZP-4008-66L](#) [DX40-20P\(55\)](#) [5554841-1](#) [SM3100F14S-12P](#) [SM3106F14S-7S-LC](#) [SM3106R18-18S](#) [U90B3054061110](#) [U65-E04-4020](#)
[557-262M2-06C](#) [60-042222-02S](#) [10099439-003C-TRLF](#) [226-0348-000](#) [10137239-0021LF](#) [10137239-0011LF](#) [109029-ZZ](#)