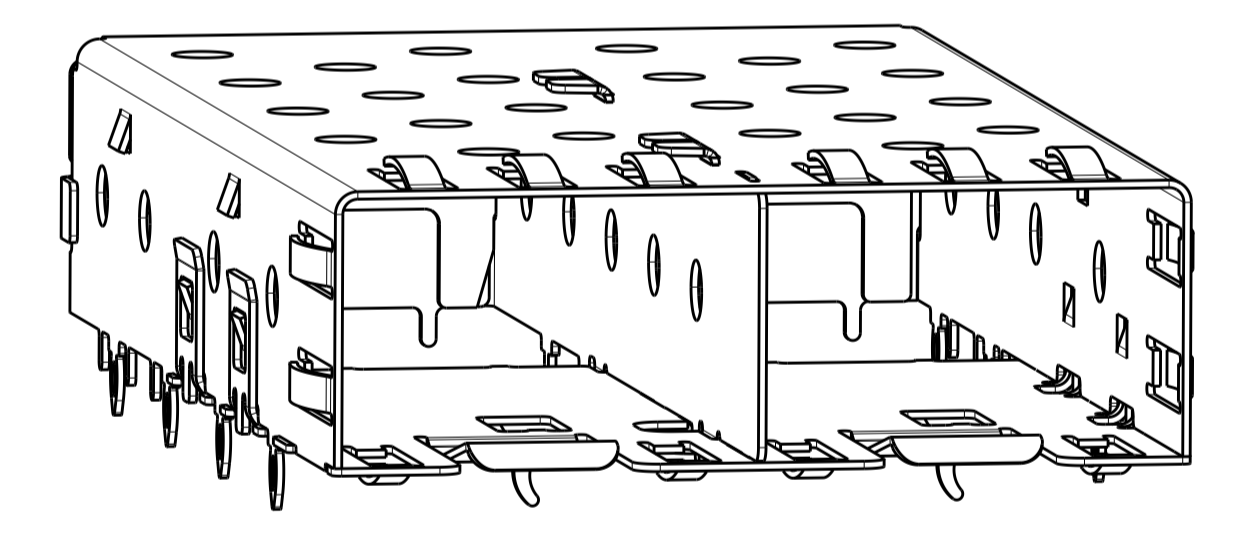
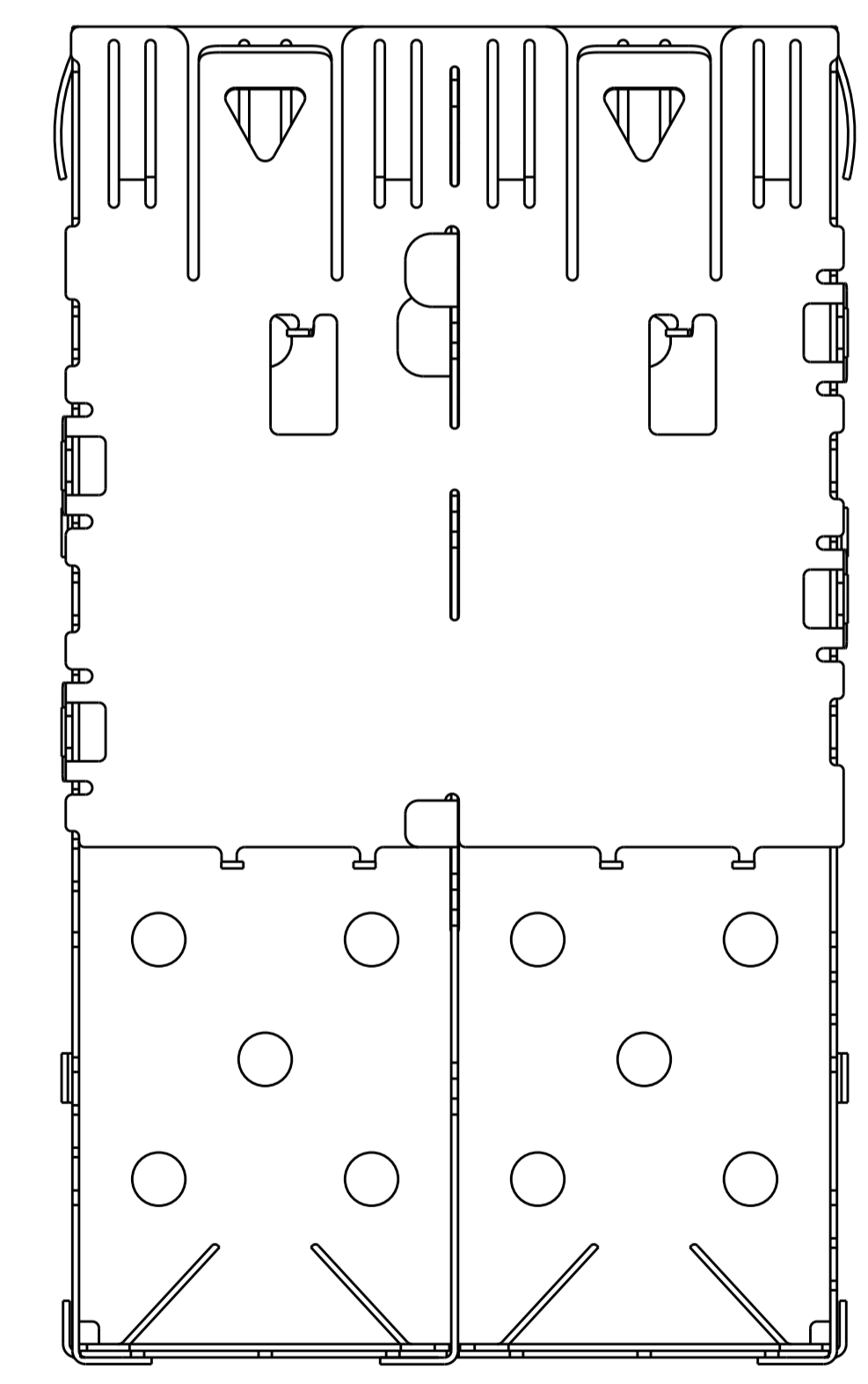
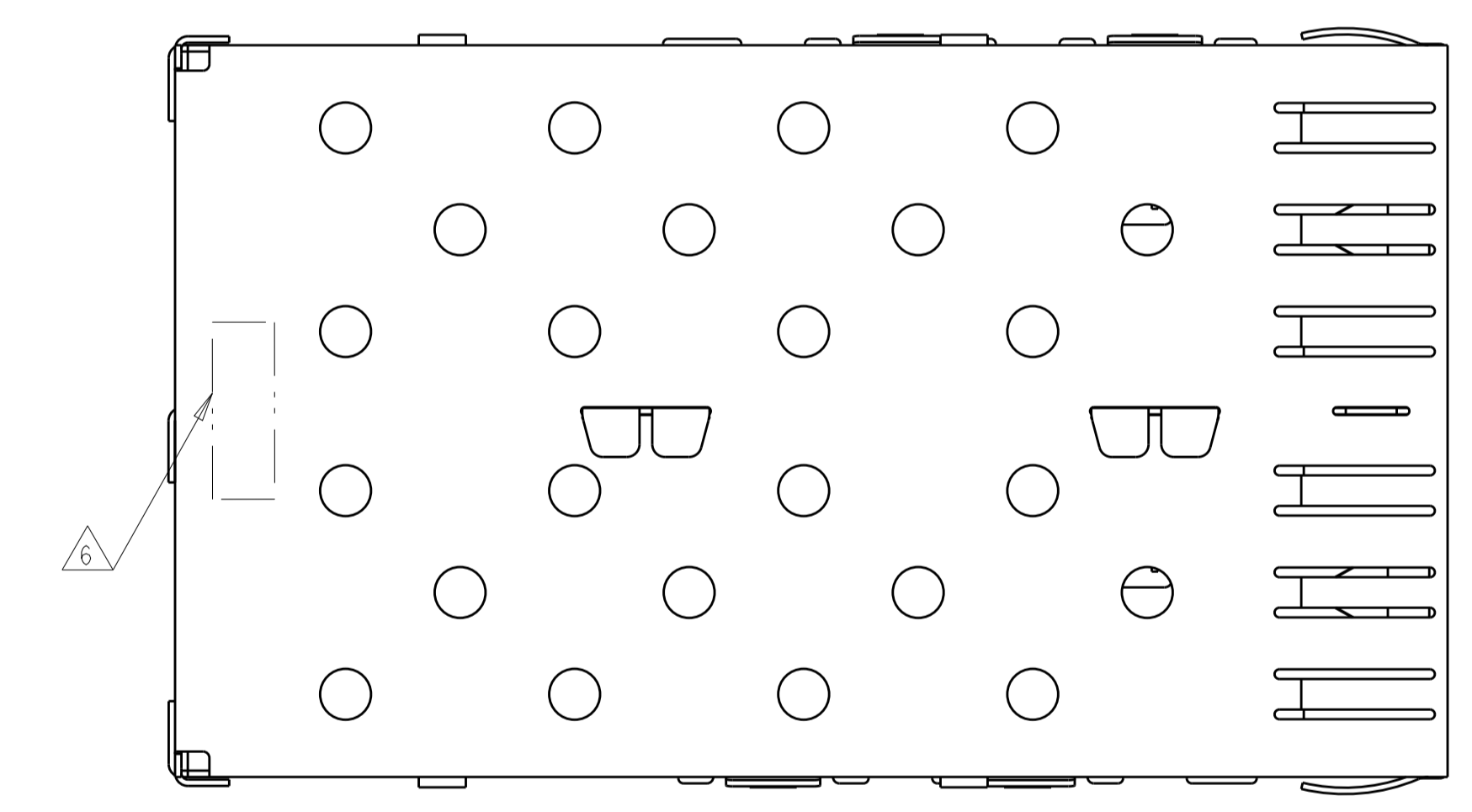
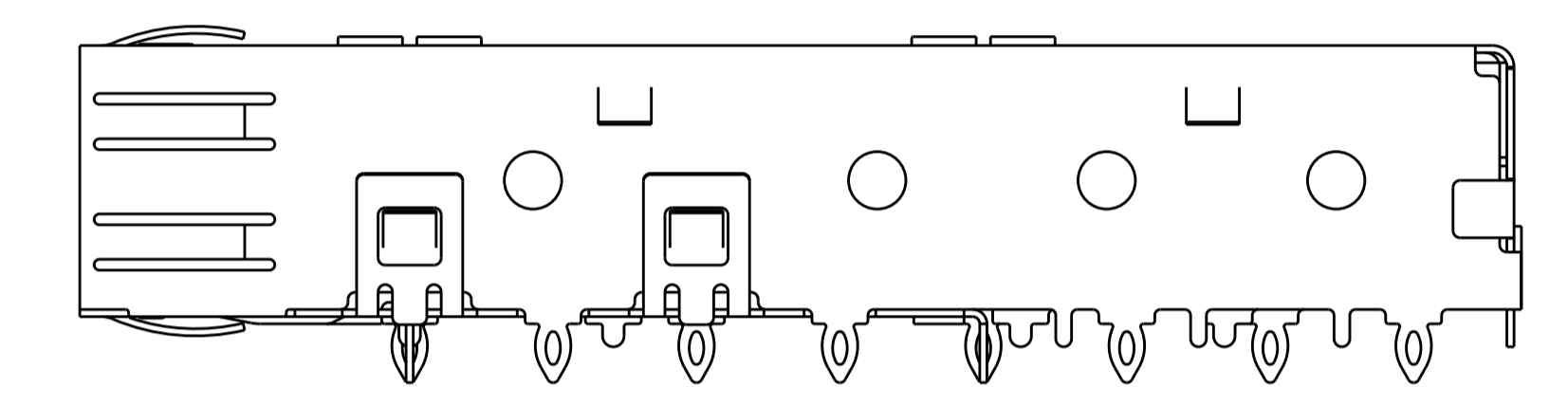
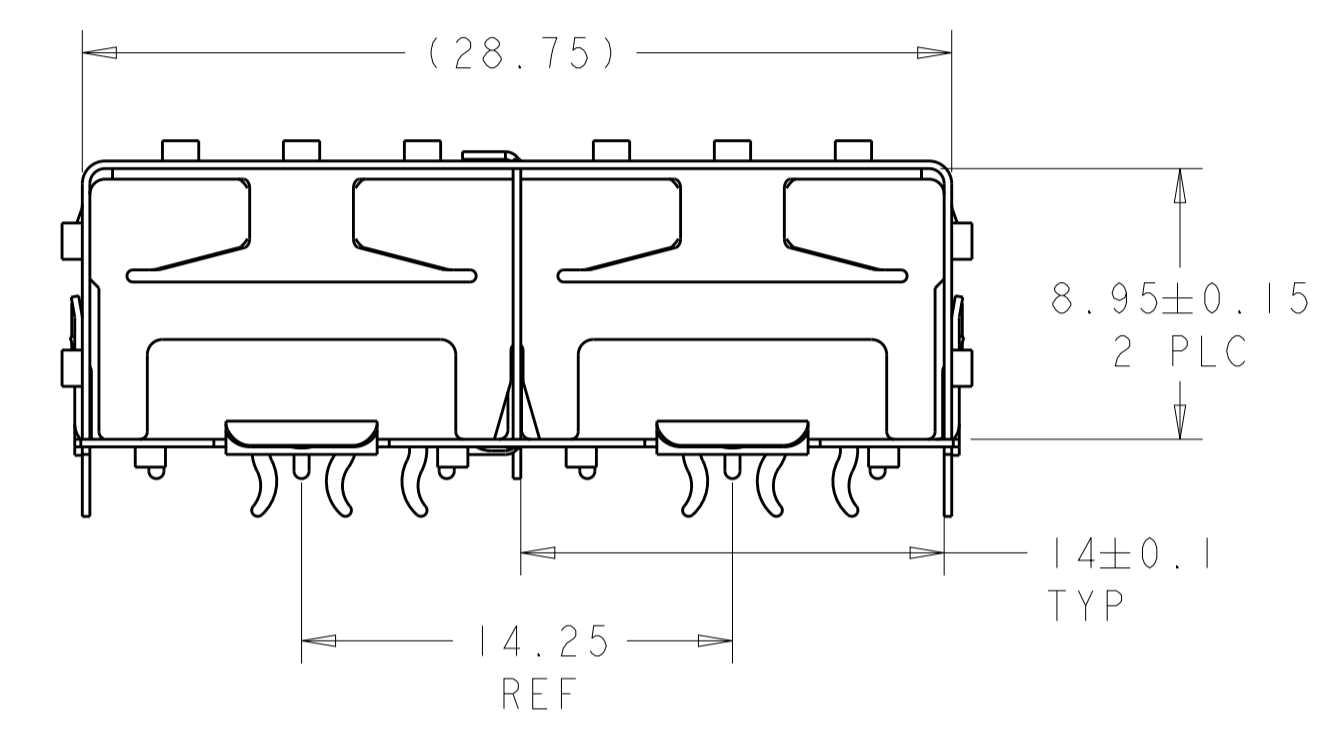
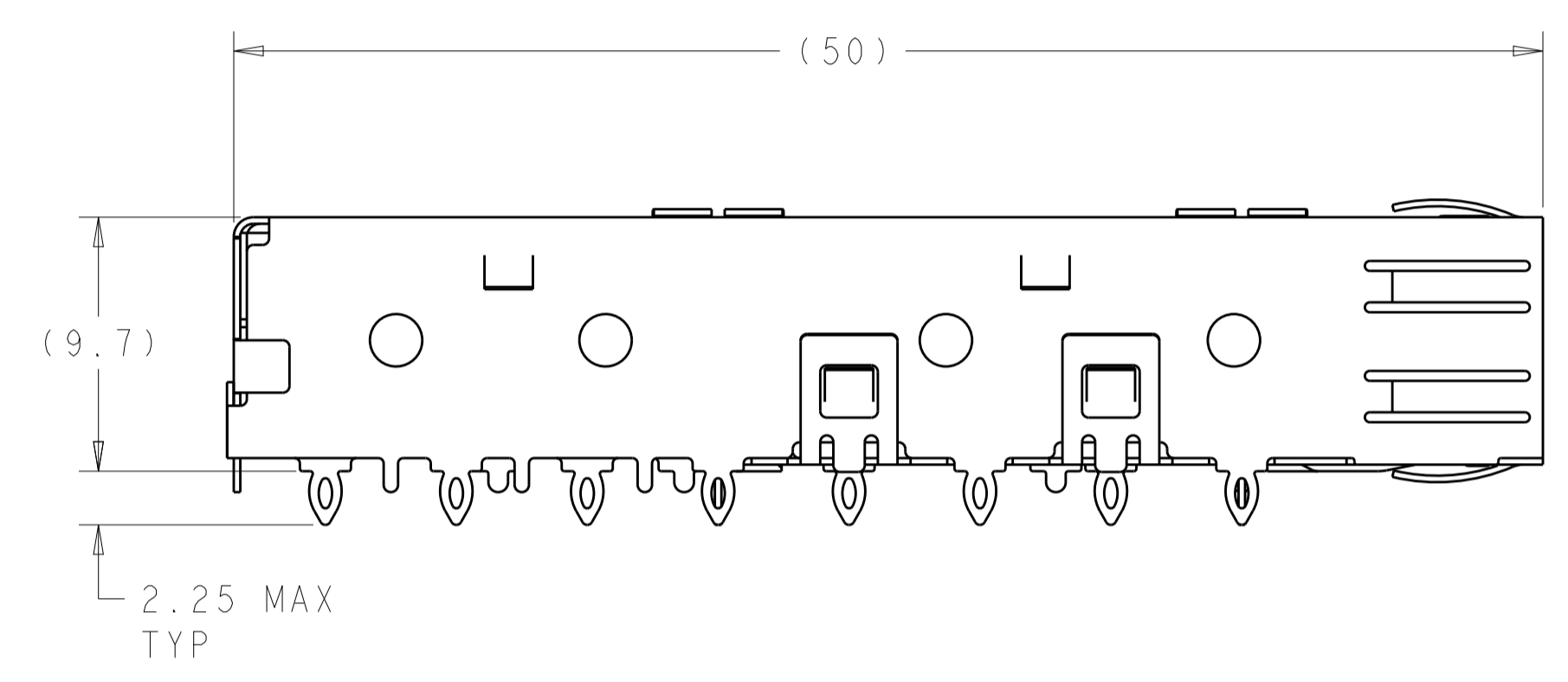
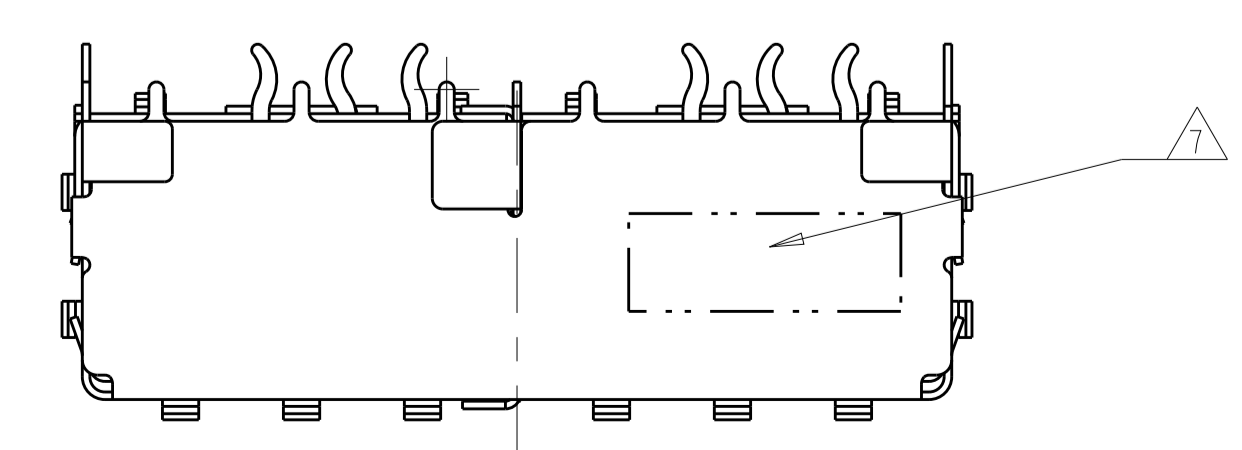


LOC	DIST	REVISIONS					
		P	LTN	DESCRIPTION	DATE	DWN	APVD
GP	00						
		D1		REVISED PER ECO-11-005027	10MAY2011	RK	HMR
		E		REVISED PER ECO-14-000886	20FEB2014	JW	SH
		E1		REVISED PER ECO-14-010419	11JUL2014	JW	SH
		F		REVISED PER ECO-15-013594	25SEP2015	JW	SH

- 1 MATERIAL: COPPER ALLOY.
- 2 FINISH: TIN PLATING PER ASTM B 545, 1.25μm MINIMUM THICKNESS ALL OVER NICKEL FLASH PER QQ-N-290. NONPLATED EDGES PERMISSIBLE.
- 3 PADS AND VIAS CHASSIS GROUND.
- 4 DATUM AND BASIC DIMENSIONS ESTABLISHED BY CUSTOMER.
- 5 REFERENCE APPLICATION SPEC 114-13120, HOLE A, FOR RECOMMENDED DRILL HOLE DIAMETER AND PLATING THICKNESSES.
- 6 COMPANY LOGO IN APPROXIMATE AREA SHOWN
- 7 DATE CODE AND PART NUMBER IN APPROXIMATE AREA SHOWN.
- 8 MATERIAL: NICKEL SILVER ALLOY (NO PLATING)



1761014-1&3
 1X2 CAGE ASSEMBLY
 SCALE 4:1

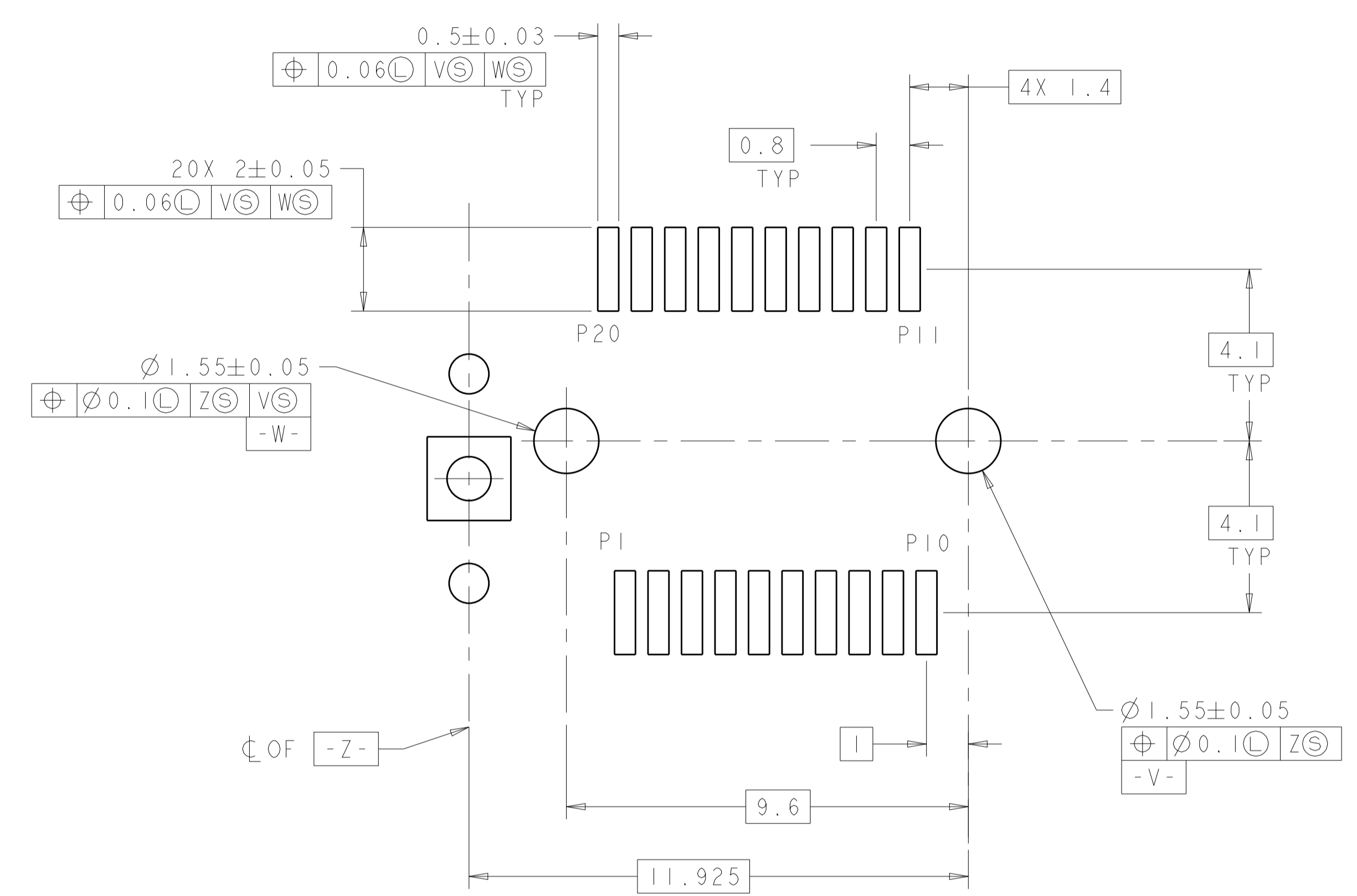
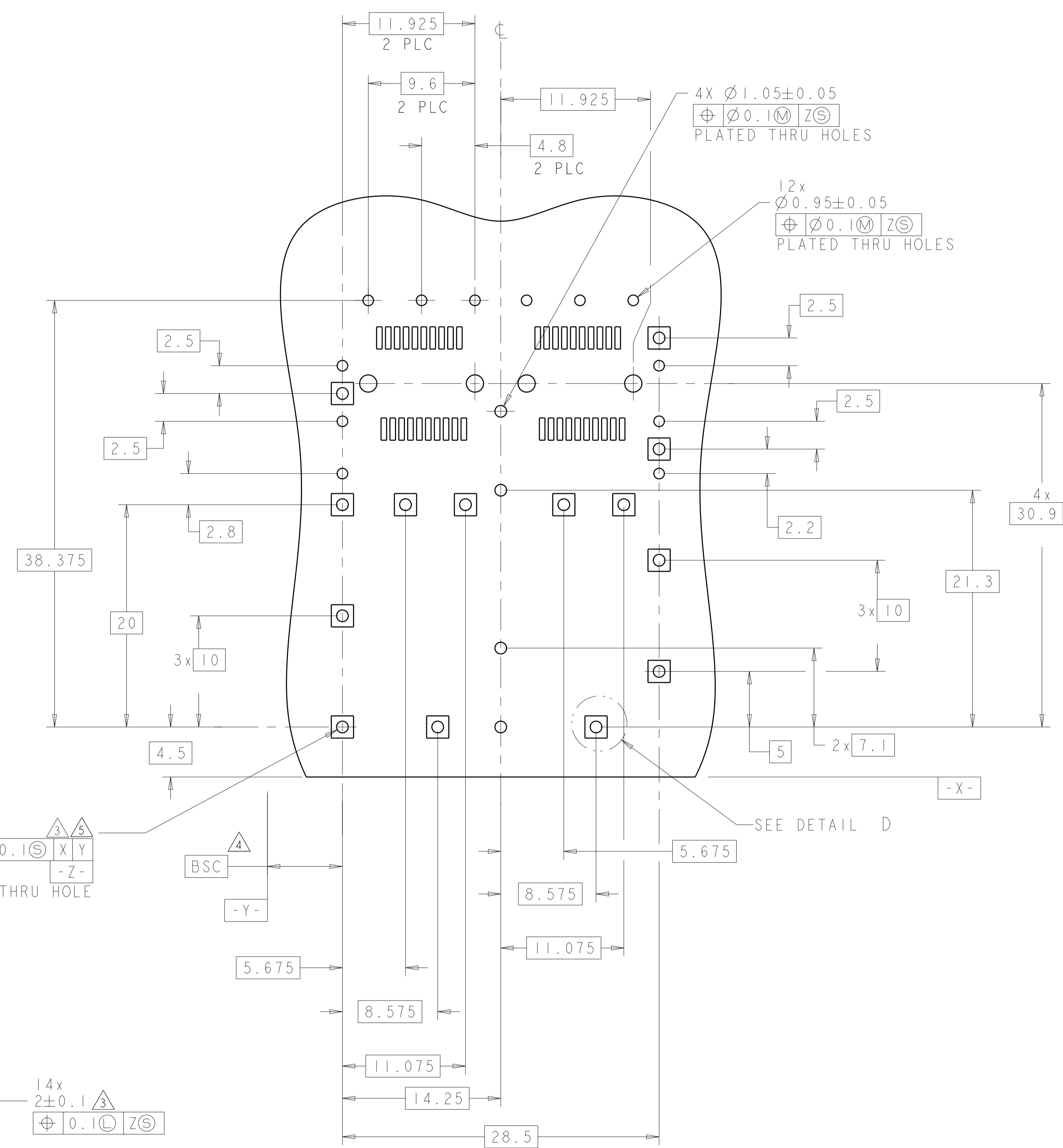


SUPERSEDED BY:
 1761014-3

FINISH	MATERIAL	DESCRIPTION	PART NO
NO	8	1 x 2 CAGE	1761014-3
2	1	1 x 2 CAGE	1761014-1

THIS DRAWING IS A CONTROLLED DOCUMENT.		DWN: J. VAN SCOY, 15MAR2004	TE Connectivity ASSEMBLY, CAGE, 1X2 PRESS FIT, SFP
DIMENSIONS:		CHK: M.J. PHILLIPS, 15MAR2004	
TOLERANCES UNLESS OTHERWISE SPECIFIED:		APVD: M.J. PHILLIPS, 15MAR2004	
mm 0 PLC ± 1 PLC ±0.10 2 PLC ± 3 PLC ± 4 PLC ± ANGLES ±2°		NAME: PRODUCT SPEC 108-1950 APPLICATION SPEC 114-13120 WEIGHT:	
MATERIAL: 1		FINISH: 2	SIZE: CAGE CODE DRAWING NO: A100779 CUSTOMER DRAWING SCALE: 4:1 SHEET 1 OF 2 REV F

LOC		DIST		REVISONS			
GP	00	P	LTN	DESCRIPTION	DATE	DWN	APVD
		-		SEE SHEET 1			



PT CONNECTOR
 RECOMMENDED PCB
 CONFIGURATION
 SCALE 10:1

PLATED THRU HOLE
 3 5
 0.1L Z S X Y
 -Z-

RECOMMENDED PC BOARD
 CONFIGURATION
 SCALE 4:1

DETAIL D
 SCALE 15:1

THIS DRAWING IS A CONTROLLED DOCUMENT.		DWN W VAN SCOY 15MAR2004	15MAR2004	TE Connectivity
DIMENSIONS:		CHK MJ PHILLIPS 15MAR2004	15MAR2004	
mm	TOLERANCES UNLESS OTHERWISE SPECIFIED:	APVD MJ PHILLIPS 15MAR2004	NAME	ASSEMBLY, CAGE, 1X2 PRESS FIT, SFP
0 PLC ± 1 PLC ±0.10 2 PLC ± 3 PLC ± 4 PLC ± ANGLES ±2°	0 PLC ± 1 PLC ±0.10 2 PLC ± 3 PLC ± 4 PLC ± ANGLES ±2°	PRODUCT SPEC 108-1950 APPLICATION SPEC 114-13120	SIZE CAGE CODE DRAWING NO A100779C=1761014	
MATERIAL	FINISH	WEIGHT	CUSTOMER DRAWING	RESTRICTED TO
			SCALE 4:1	SHEET 2 OF 2 REV F

X-ON Electronics

Largest Supplier of Electrical and Electronic Components

Click to view similar products for [I/O Connectors](#) category:

Click to view products by [TE Connectivity](#) manufacturer:

Other Similar products are found below :

[571763P](#) [72.250.1628.2](#) [72.250.2428.2](#) [74720-0505](#) [76.350.0729.0](#) [76871-1403](#) [FCN-244F080-G/1](#) [FCN-260A9920](#) [MP-5T180MUNNA-005](#)
[PCR-E36PM](#) [PCS-XE26MA+](#) [G38A71314B](#) [1571250010](#) [157-22500-3](#) [MS3471L14-19P L/C](#) [91-569786-35H](#) [172501-4002](#) [172501-6002](#)
[FCN-260C008-A/L0](#) [FCN-260C024-AL0](#) [FCN-261Z008](#) [2000314-1](#) [200331-1](#) [PCR-E36FC+](#) [PCS-E28FS+](#) [PCS-XE26SLFD+](#) [PCS-](#)
[XE26SLFDT+](#) [G730VID08BDC24](#) [U90B2054081210](#) [UE86K842720321](#) [38113800006](#) [DP3AR020WQ1R200](#) [Z4.102.0680.0](#) [500-1040](#)
[500-1052](#) [500-1054](#) [ZP-4008-66L](#) [0709821002](#) [10-565995-597N](#) [DX40-20P\(55\)](#) [5554841-1](#) [MS3474W18-8P-LC*](#) [U90B3054061110](#) [U65-](#)
[E04-4020](#) [ZPF000000000097891](#) [557-262M2-06C](#) [747360449](#) [10099439-003C-TRLF](#) [10137239-0021LF](#) [E9320-001-01](#)