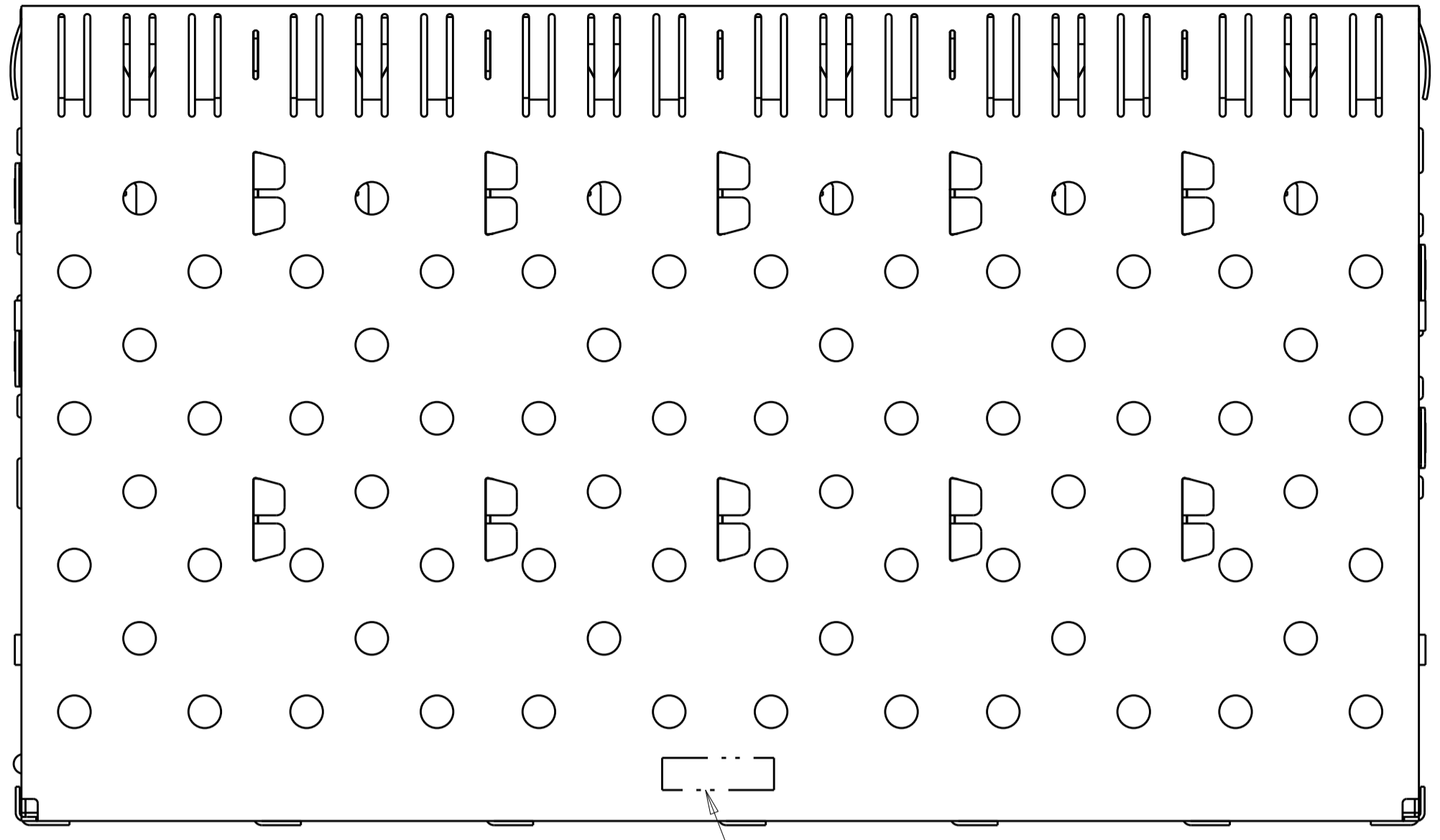
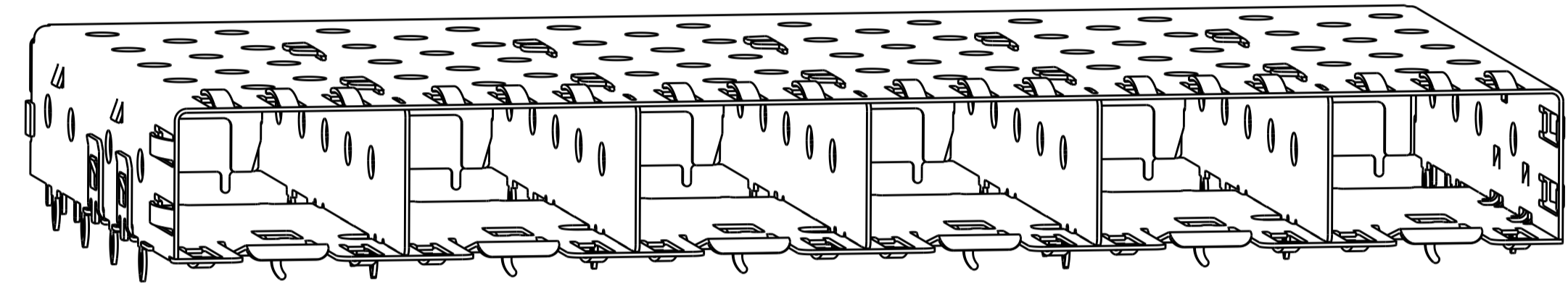


| LOC | DIST | REVISIONS | | | | | |
|-----|------|-----------|-----|---------------------------|-----------|-----|------|
| | | P | LTN | DESCRIPTION | DATE | DWN | APVD |
| GP | 00 | | | | | | |
| | D1 | | | REVISED PER ECO-11-004835 | 13APR2011 | RK | HMR |
| | E | | | REVISED PER ECO-14-000886 | 20FEB2014 | JW | SH |
| | E1 | | | REVISED PER ECO-14-010419 | 11JUL2014 | JW | SH |
| | F | | | REVISED PER ECO-15-013594 | 25SEP2015 | JW | SH |

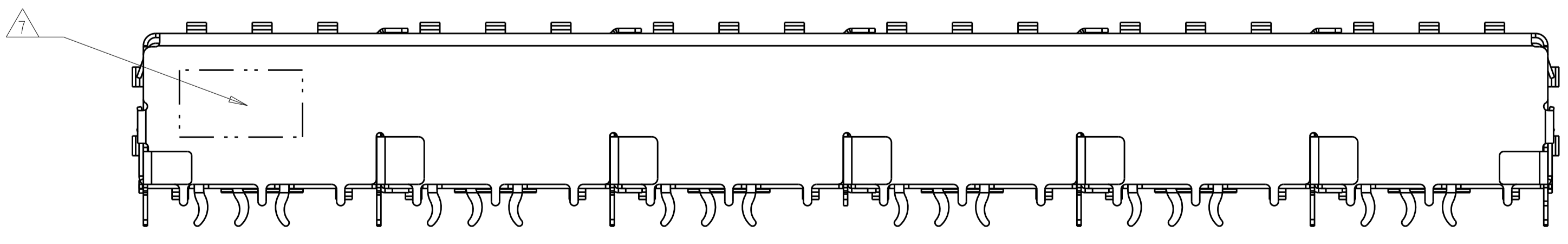
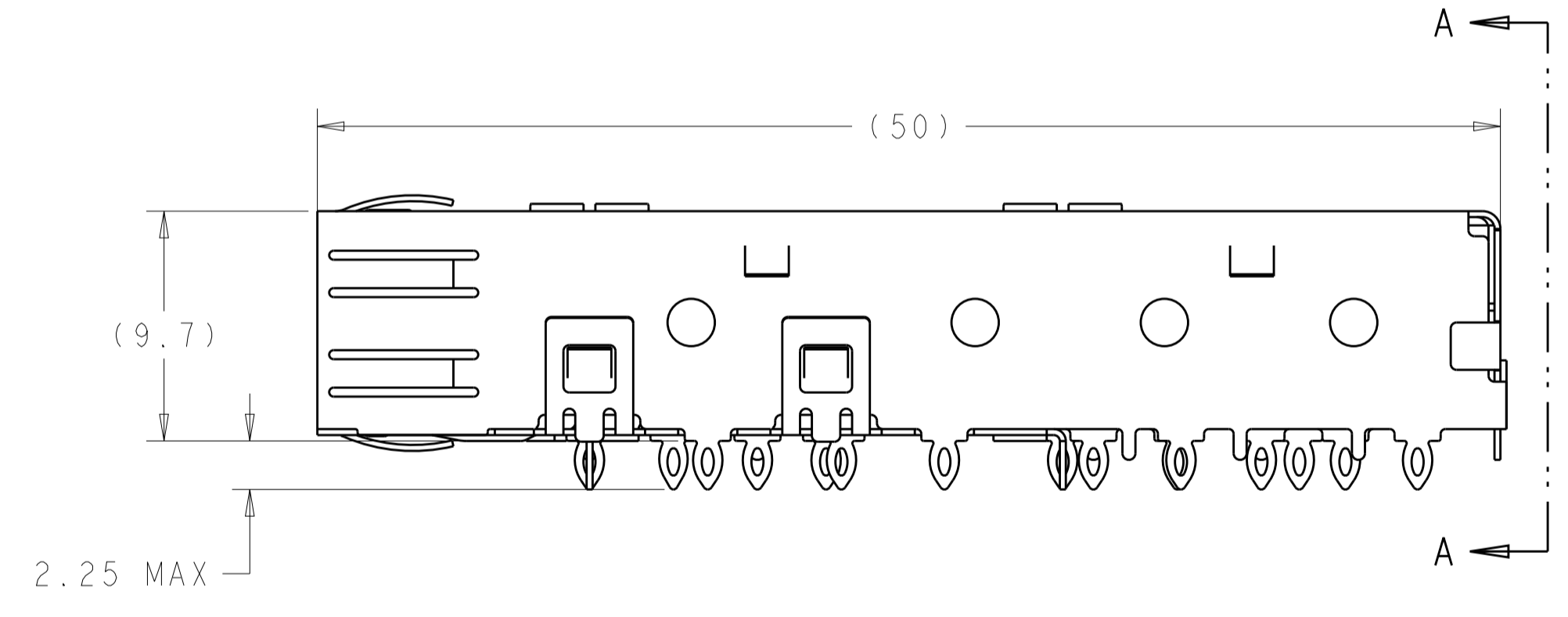
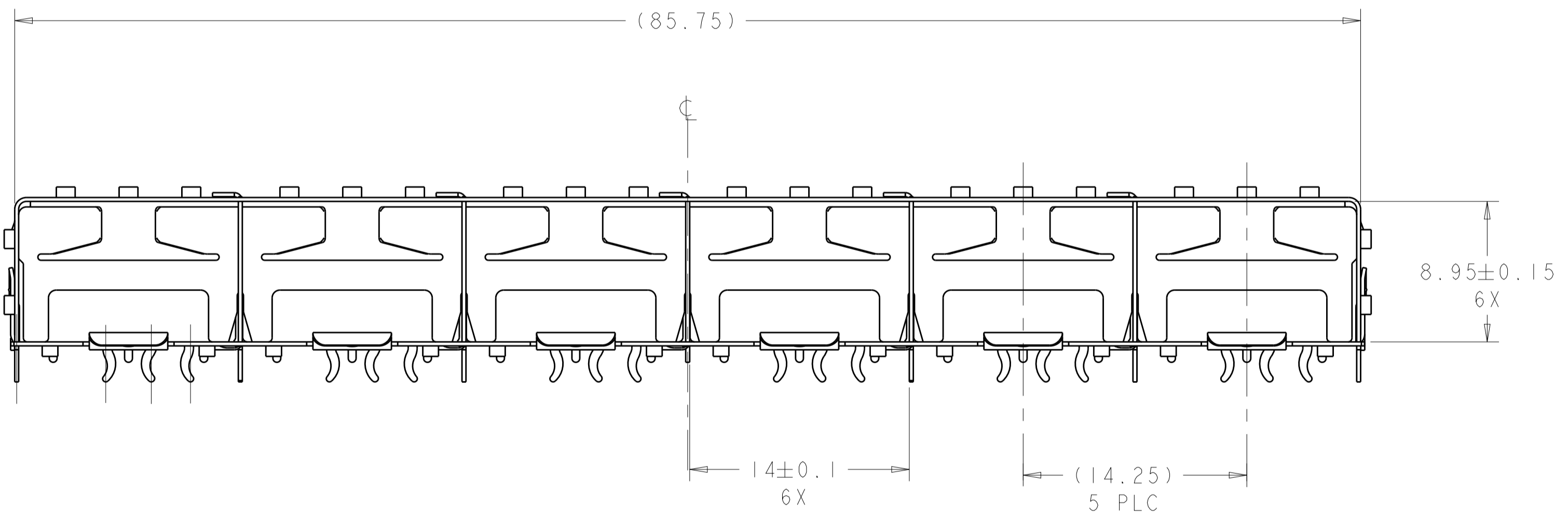


SCALE 3:1

- 1 MATERIAL: COPPER ALLOY.
- 2 TIN PLATING PER ASTM B 545, 1.25µm MINIMUM THICKNESS. ALL OVER NICKEL FLASH PER QQ-N-290. NON-PLATED EDGES ARE PERMISSIBLE.
- 3 DATUM AND BASIC DIMENSIONS ESTABLISHED BY CUSTOMER.
- 4 PADS AND VIAS CHASSIS GROUND.
- 5 REFERENCE APPLICATION SPEC 114-13120, HOLE A, FOR RECOMMENDED DRILL HOLE DIAMETER AND PLATING THICKNESSES.
- 6 COMPANY LOGO IN APPROXIMATE AREA SHOWN
- 7 DATE CODE AND PART NUMBER IN APPROXIMATE AREA SHOWN
- 8 MATERIAL: NICKEL SILVER ALLOY(NO PLATING)



1761015-18-3
SCALE 3:1



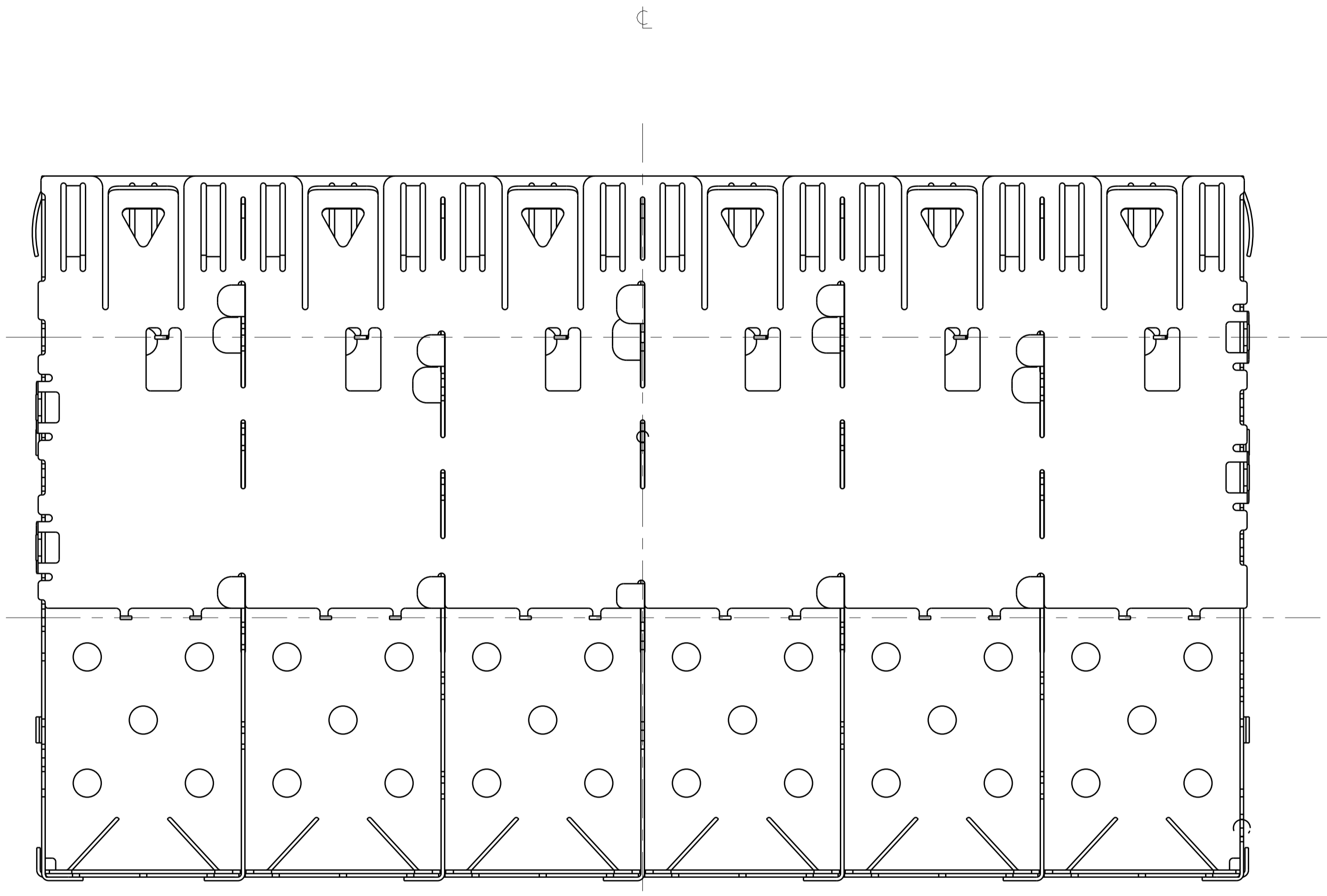
SECTION A-A

SUPERSEDED BY:
1761015-3

| FINISH | MATERIAL | DESCRIPTION | PART NO |
|--------|----------|-------------------|-----------|
| NO | 8 | 1X6 CAGE ASSEMBLY | 1761015-3 |
| | | 1X6 CAGE ASSEMBLY | 1761015-1 |

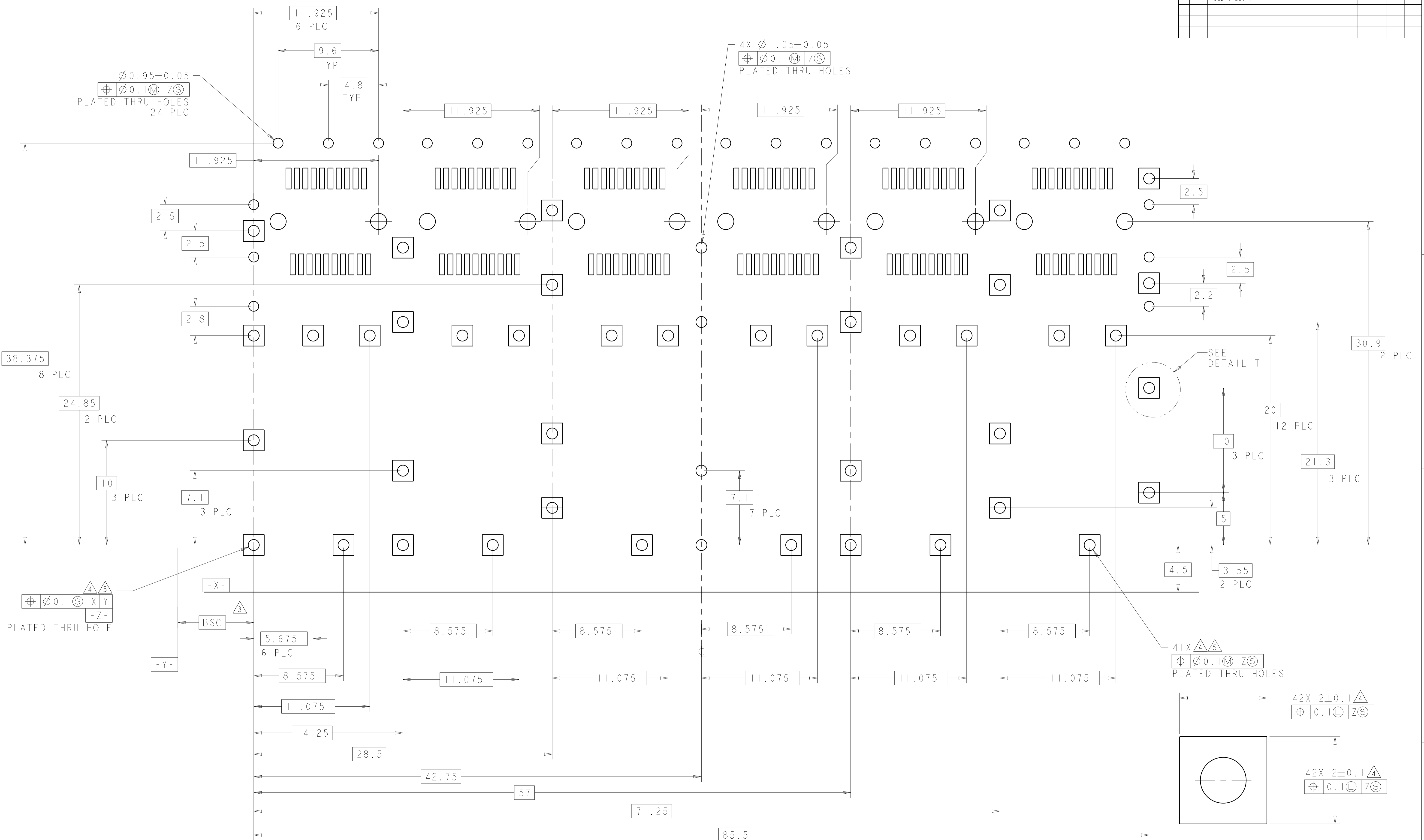
| | | | |
|--|-------------|----------------------------|---|
| THIS DRAWING IS A CONTROLLED DOCUMENT. | | DWN: J. VAN SCOY FEB2004 | TE Connectivity |
| DIMENSIONS: mm | | CHK: M. PHILLIPS FEB2004 | |
| TOLERANCES UNLESS OTHERWISE SPECIFIED: | | APVD: M. PHILLIPS FEB2004 | NAME: ASSEMBLY, CAGE, PRESS FIT, 1X6, SFP |
| 0 PLC ± | 1 PLC ±0.10 | PRODUCT SPEC 108-1950 | SIZE: A100779 |
| 2 PLC ± | 3 PLC ± | APPLICATION SPEC 114-13120 | CAGE CODE: 1761015 |
| 4 PLC ± | ANGLES ±2° | WEIGHT | RESTRICTED TO |
| MATERIAL 1 | FINISH 2 | Customer Drawing | SCALE: 4:1 SHEET 1 OF 4 REV F |

| LOC | DIST | REVISIONS | | | | | |
|-----|------|-----------|-----|-------------|------|-----|------|
| GP | 00 | P. | LYR | DESCRIPTION | DATE | DWN | APVD |
| | | - | | SEE SHEET 1 | | - | - |
| | | | | | | | |
| | | | | | | | |

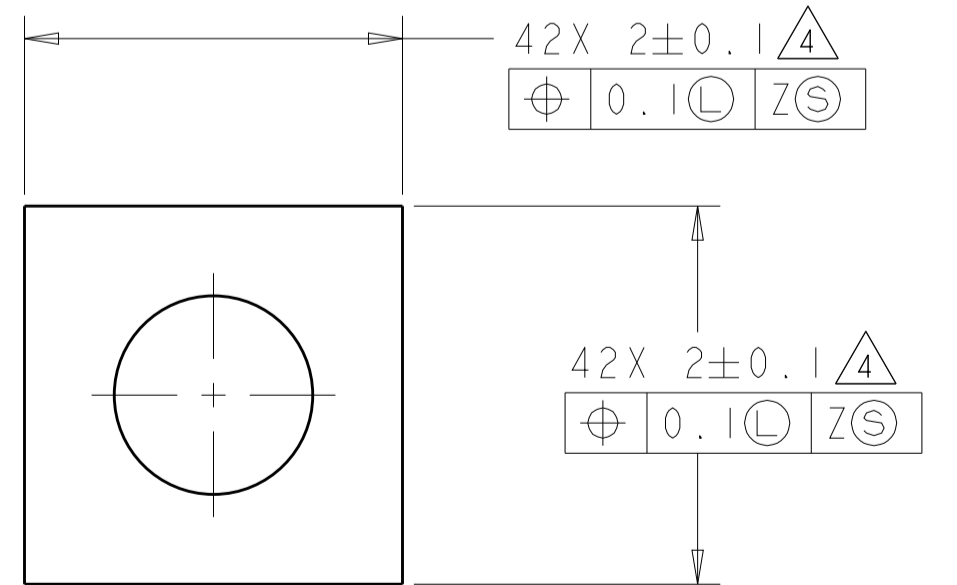


| | | | | |
|--|--|---------------------|-----------|---|
| THIS DRAWING IS A CONTROLLED DOCUMENT. | | DWN W. VAN SCOY | 11FEB2004 | |
| DIMENSIONS: | | CHK M. PHILLIPS | 11FEB2004 | |
| mm | | APVD M. PHILLIPS | 11FEB2004 | |
| TOLERANCES UNLESS OTHERWISE SPECIFIED: | | PRODUCT SPEC | | NAME ASSEMBLY, CAGE, PRESS FIT, 1X6, SFP |
| 0 PLC ± | | 108-1950 | | |
| 1 PLC ±0.10 | | APPLICATION SPEC | | SIZE CAGE CODE DRAWING NO RESTRICTED TO A100779C=1761015 - |
| 2 PLC ± | | 114-13120 | | |
| 3 PLC ± | | WEIGHT | | SCALE 4:1 SHEET 2 OF 4 REV F Customer Drawing |
| 4 PLC ± | | | | |
| ANGLES ±2° | | | | |
| FINISH | | | | |

| LOC | DIST | REVISIONS | | | |
|-----|------|-------------|------|----|------|
| GP | 00 | REV | DATE | BY | APPV |
| - | - | SEE SHEET 1 | - | - | - |



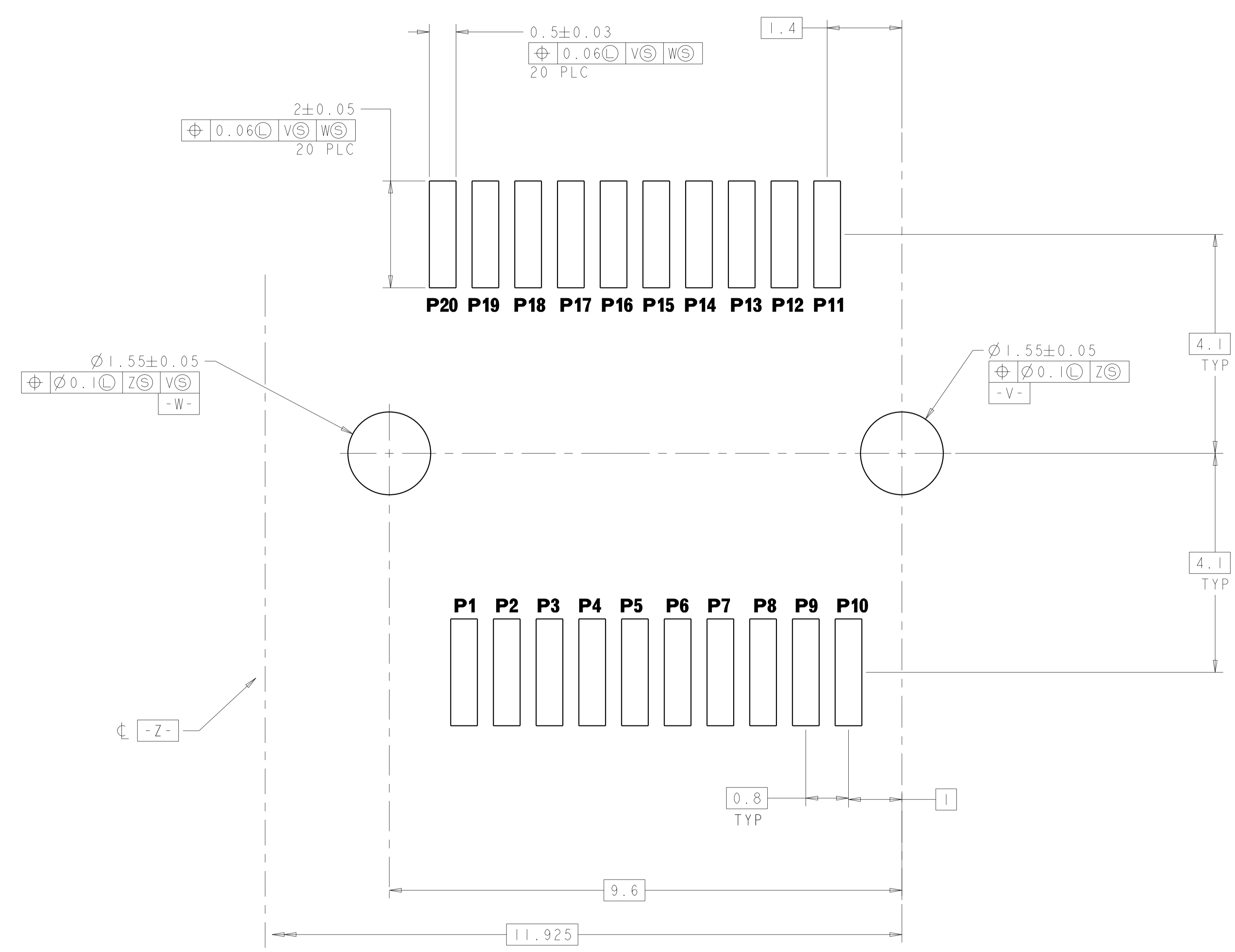
RECOMMENDED PCB CONFIGURATION
SCALE 5:1



DETAIL T
SCALE 25:1

| | | | | | | | | | | | | | | | |
|--|-------|------------------------------|---|-------|-------|-------|---|-------|---|-------|---|--------|-----|------------------------|---------------|
| THIS DRAWING IS A CONTROLLED DOCUMENT. | | DWN: JH_VAN_SCIJCK 1/FEB2004 | TE Connectivity | | | | | | | | | | | | |
| DIMENSIONS: mm | | CHK: M. PHILLIPS 1/FEB2004 | | | | | | | | | | | | | |
| TOLERANCES UNLESS OTHERWISE SPECIFIED: | | APVD: M. PHILLIPS 1/FEB2004 | NAME: ASSEMBLY, CAGE, PRESS FIT, 1X6, SFP | | | | | | | | | | | | |
| <table border="1"> <tr><td>0 PLC</td><td>±</td></tr> <tr><td>1 PLC</td><td>±0.10</td></tr> <tr><td>2 PLC</td><td>±</td></tr> <tr><td>3 PLC</td><td>±</td></tr> <tr><td>4 PLC</td><td>±</td></tr> <tr><td>ANGLES</td><td>±2°</td></tr> </table> | | 0 PLC | ± | 1 PLC | ±0.10 | 2 PLC | ± | 3 PLC | ± | 4 PLC | ± | ANGLES | ±2° | PRODUCT SPEC: 108-1950 | SIZE: A100779 |
| 0 PLC | ± | | | | | | | | | | | | | | |
| 1 PLC | ±0.10 | | | | | | | | | | | | | | |
| 2 PLC | ± | | | | | | | | | | | | | | |
| 3 PLC | ± | | | | | | | | | | | | | | |
| 4 PLC | ± | | | | | | | | | | | | | | |
| ANGLES | ±2° | | | | | | | | | | | | | | |
| MATERIAL: FINISH | | APPLICATION SPEC: 114-13120 | CAGE CODE: 1761015 | | | | | | | | | | | | |
| | | WEIGHT: Customer Drawing | RESTRICTED TO: REV F | | | | | | | | | | | | |
| | | SCALE: 4:1 | SHEET 3 OF 4 | | | | | | | | | | | | |

| LOC | DIST | REVISIONS | | | |
|-----|------|-------------|------|-----|------|
| P | LTN | DESCRIPTION | DATE | DMN | APVD |
| - | - | SEE SHEET 1 | - | - | - |
| | | | | | |
| | | | | | |



DETAIL U
SCALE 20:1

| | | | | | |
|--|--|---------------------|-----------|------------------------------|---|
| THIS DRAWING IS A CONTROLLED DOCUMENT. | | DMN W. VAN SCOY | 11FEB2004 | | TE Connectivity |
| DIMENSIONS: mm | | CHK M. PHILLIPS | 11FEB2004 | | ASSEMBLY, CAGE, PRESS FIT, 1X6, SFP |
| TOLERANCES UNLESS OTHERWISE SPECIFIED: | | APVD M. PHILLIPS | 11FEB2004 | NAME | |
| 0 PLC ± | | PRODUCT SPEC | | SIZE | |
| 1 PLC ±0.10 | | 108-1950 | | CAGE CODE | |
| 2 PLC ± | | APPLICATION SPEC | | DRAWING NO | |
| 3 PLC ± | | 114-13120 | | RESTRICTED TO | |
| 4 PLC ± | | WEIGHT | | A100779C=1761015 | |
| ANGLES ± | | Customer Drawing | | SCALE 4:1 SHEET 4 OF 4 REV F | |
| FINISH | | | | | |

X-ON Electronics

Largest Supplier of Electrical and Electronic Components

Click to view similar products for [I/O Connectors](#) category:

Click to view products by [TE Connectivity](#) manufacturer:

Other Similar products are found below :

[571763P](#) [72.250.1628.2](#) [72.250.2428.2](#) [74720-0505](#) [76.350.0729.0](#) [76871-1403](#) [FCN-244F080-G/1](#) [FCN-260A9920](#) [MP-5T180MUNNA-005](#)
[PCR-E36PM](#) [PCS-XE26MA+](#) [G38A71314B](#) [1571250010](#) [157-22500-3](#) [MS3471L14-19P L/C](#) [91-569786-35H](#) [172501-4002](#) [172501-6002](#)
[FCN-260C008-A/L0](#) [FCN-260C024-AL0](#) [FCN-261Z008](#) [2000314-1](#) [200331-1](#) [PCR-E36FC+](#) [PCS-E28FS+](#) [PCS-XE26SLFD+](#) [PCS-](#)
[XE26SLFDT+](#) [G730VID08BDC24](#) [U90B2054081210](#) [UE86K842720321](#) [38113800006](#) [DP3AR020WQ1R200](#) [Z4.102.0680.0](#) [500-1040](#)
[500-1052](#) [500-1054](#) [ZP-4008-66L](#) [0709821002](#) [10-565995-597N](#) [DX40-20P\(55\)](#) [5554841-1](#) [MS3474W18-8P-LC*](#) [U90B3054061110](#) [U65-](#)
[E04-4020](#) [ZPF000000000097891](#) [557-262M2-06C](#) [747360449](#) [10099439-003C-TRLF](#) [10137239-0021LF](#) [E9320-001-01](#)