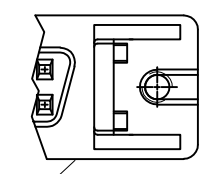
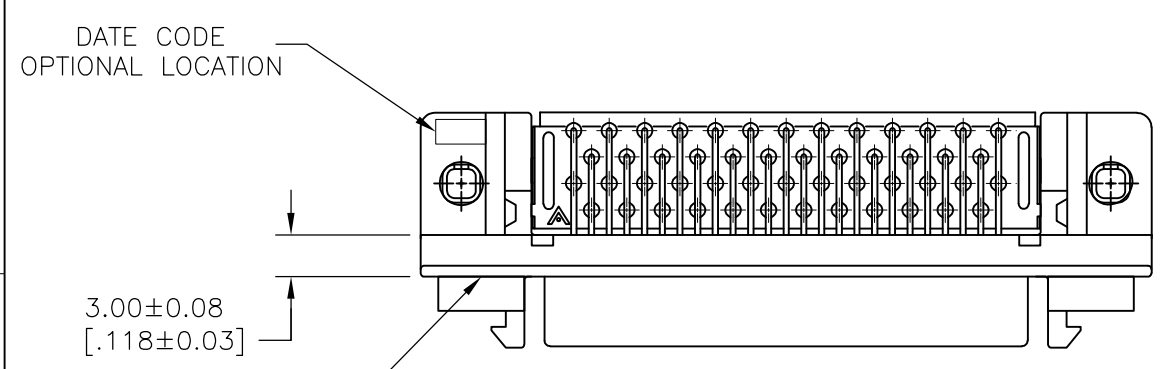
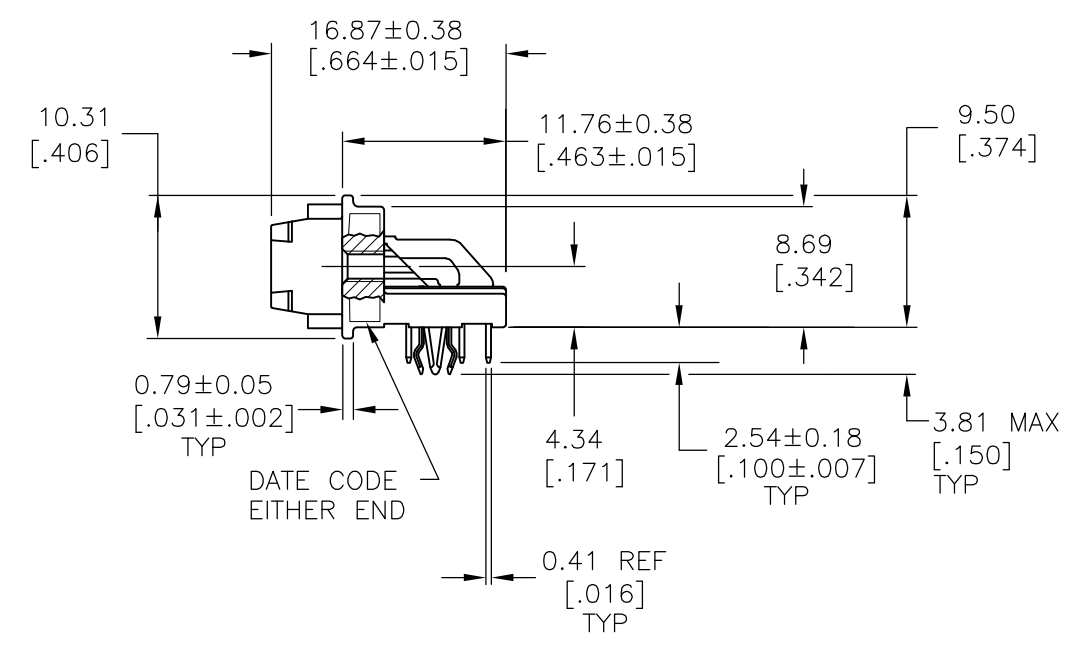
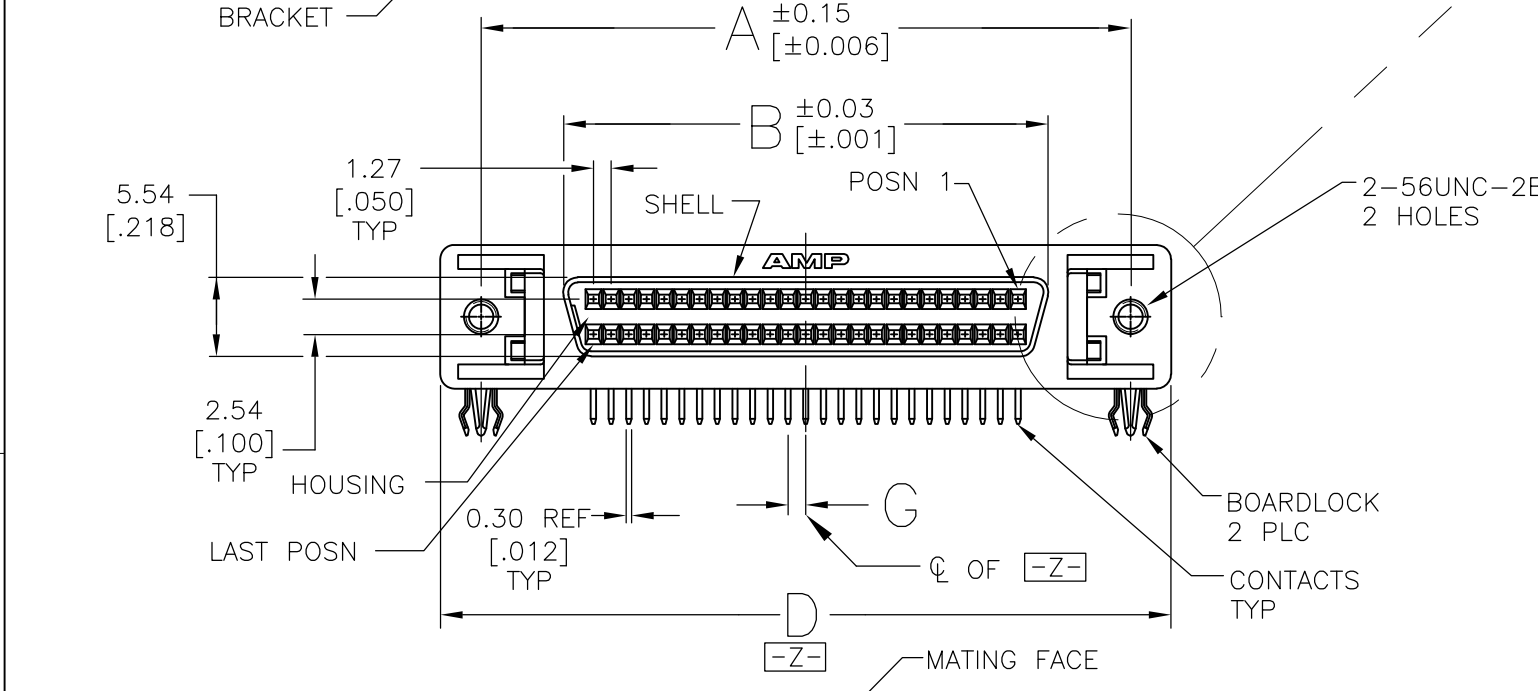


LOC	DIST	REVISIONS					
GP	00	P	LTR	DESCRIPTION	DATE	DWN	APVD
		D		REVISED PER ECO-11-008091	18APR2011	CJV	SLB



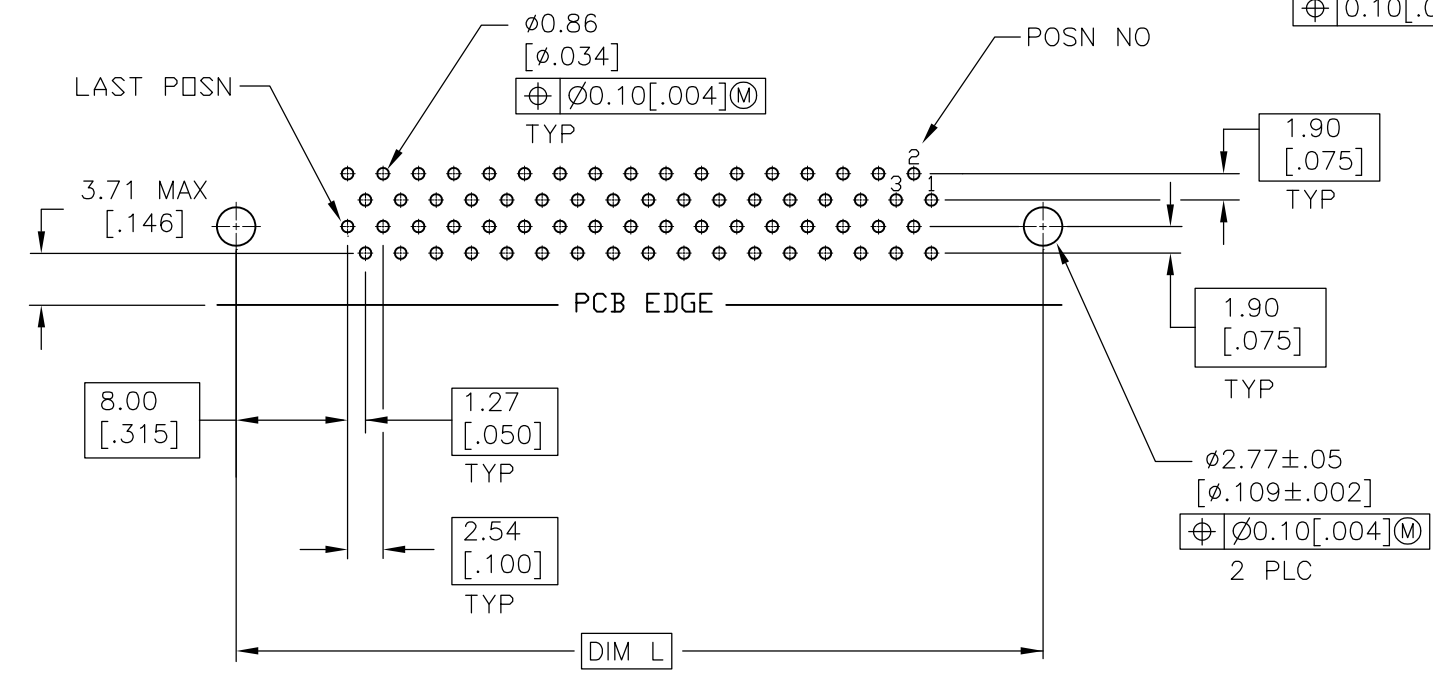
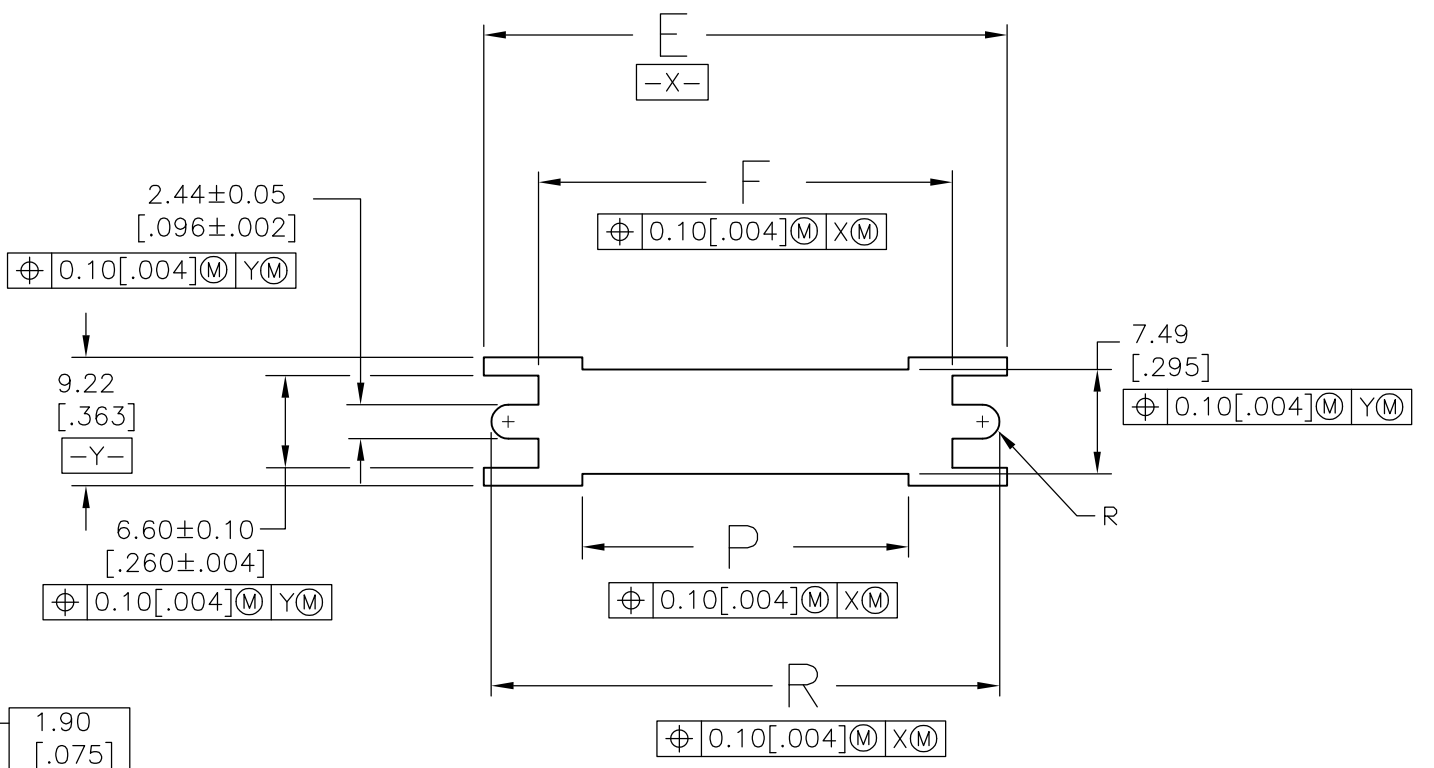
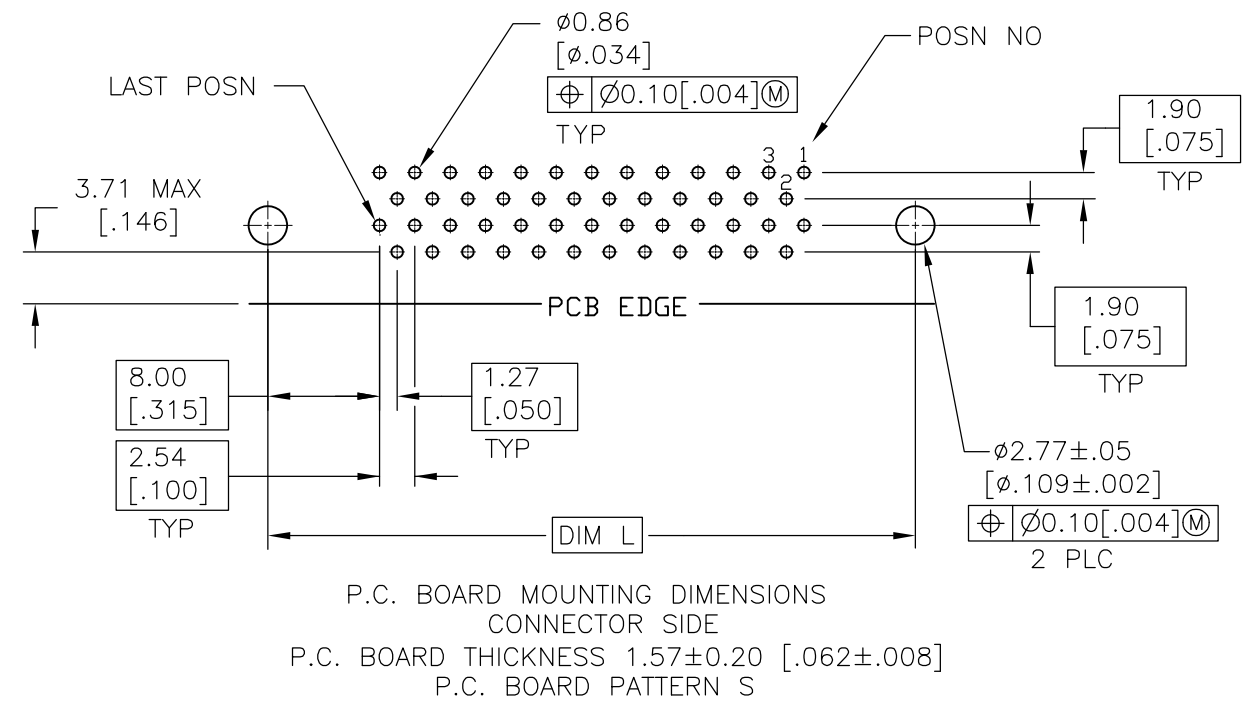
ALTERNATE BRACKET  
DESIGN  
TYP.



THIS DRAWING IS A CONTROLLED DOCUMENT.		DWN	28JAN2004		
		CHK	28JAN04		
		APVD	28JAN04		
		PRODUCT SPEC	108-1228		
DIMENSIONS: mm [INCHES]		TOLERANCES UNLESS OTHERWISE SPECIFIED:		NAME	
		0 PLC ± -		RECEPTACLE ASSEMBLY, SHIELDED, RIGHT ANGLE, RAILED, .050 SERIES, AMPLIMITE	
		1 PLC ± -		SIZE	
		2 PLC ± 0.13[.005]		CAGE CODE	
		3 PLC ± -		DRAWING NO	
		4 PLC ± -		RESTRICTED TO	
		ANGLES ± -		A3 00779 C-1761028	
MATERIAL		FINISH		SCALE	
1		2		2:1	
CUSTOMER DRAWING				SHEET	
				1 of 3	
				REV	
				D	

LOC		DIST		REVISIONS					
GP		00		P	LTR	DESCRIPTION	DATE	DWN	APVD
				-		SEE SHEET 1	-	-	-

D  
C  
B  
A



P.C. BOARD MOUNTING DIMENSIONS  
 CONNECTOR SIDE  
 P.C. BOARD THICKNESS 1.57±0.20 [.062±.008]  
 P.C. BOARD PATTERN T

THIS DRAWING IS A CONTROLLED DOCUMENT.		DWN B. MCMASTER 28JAN2004			
		CHK S. SHUEY 28JAN04			
		APVD M. WALMSLEY 28JAN04		NAME	
DIMENSIONS: mm [INCHES]		TOLERANCES UNLESS OTHERWISE SPECIFIED: 0 PLC ± - 1 PLC ± - 2 PLC ± 0.13[.005] 3 PLC ± - 4 PLC ± - ANGLES ± -		RECEPTACLE ASSEMBLY, SHIELDED, RIGHT ANGLE, RAILED, .050 SERIES, AMPLIMITE	
		MATERIAL 1		FINISH 2	
		PRODUCT SPEC 108-1228		SIZE A3 CAGE CODE 00779 DRAWING NO C-1761028	
		APPLICATION SPEC 114-40029		RESTRICTED TO -	
		WEIGHT -		SCALE 2:1 SHEET 2 OF 3 REV D	
CUSTOMER DRAWING					

THIS DRAWING IS UNPUBLISHED. RELEASED FOR PUBLICATION  
 © COPYRIGHT - By - ALL RIGHTS RESERVED.


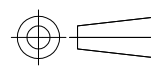
LOC	DIST	REVISIONS					
GP	00	P	LTR	DESCRIPTION	DATE	DWN	APVD
		-		SEE SHEET 1	-	-	-

1 CONTACTS: PHOSPHOR BRONZE.  
 HOUSING & PIN-SPACER: UL 94V-0 RATED, THERMOPLASTIC, BLACK.  
 BRACKET: ZINC.  
 SHELL: CARBON STEEL.  
 BOARDLOCKS: COPPER ALLOY.

2 CONTACTS: EITHER 0.00076 [.000030] MIN GOLD PLATE ON MATING END OR GOLD FLASH OVER PALLADIUM NICKEL PLATE, 0.00076 [.000030] MIN TOTAL ON MATING END, 0.00381 [.000150] MIN TIN ON SOLDER END, ALL OVER 0.00127 [.000050] MIN NICKEL ON ENTIRE CONTACT.  
 SHELL: 0.00508 [.000200] MIN NICKEL OVER 0.00127 [.000050] MIN COPPER.  
 BRACKET: 0.00254 [.000100] MIN NICKEL OVER 0.00508 [.000200] COPPER.  
 BOARDLOCKS: 0.00300 [.000118] MIN TIN OVER 0.00127 [.000050] MIN NICKEL.

TUBE	T	29.87 [1.176]	17.37 [.684]	27.43 [1.080]	0.64 [.025]	23.75 [.935]	31.50 [1.240]	33.40 [1.315]	15.65 [.616]	27.43 [1.080]	20	1761028-6
TUBE	T	80.67 [3.176]	68.17 [2.684]	78.23 [3.080]	0.64 [.025]	74.55 [2.935]	82.30 [3.240]	84.20 [3.315]	66.45 [2.616]	78.23 [3.080]	100	1761028-5
TUBE	T	60.35 [2.376]	47.85 [1.884]	57.91 [2.280]	0.64 [.025]	54.23 [2.135]	61.98 [2.440]	63.88 [2.515]	46.13 [1.816]	57.91 [2.280]	68	1761028-4
TUBE	S	48.92 [1.926]	36.42 [1.434]	46.48 [1.834]	1.27 [.050]	42.80 [1.685]	50.55 [1.990]	52.45 [2.065]	34.70 [1.366]	46.48 [1.830]	50	1761028-3
TUBE	T	42.57 [1.676]	30.07 [1.184]	40.13 [1.580]	0.64 [.025]	36.45 [1.435]	44.20 [1.740]	46.10 [1.815]	28.35 [1.116]	40.13 [1.580]	40	1761028-2
TUBE	S	33.68 [1.326]	21.18 [.834]	31.24 [1.230]	1.27 [.050]	27.56 [1.085]	35.31 [1.390]	37.21 [1.465]	19.46 [.766]	31.24 [1.230]	26	1761028-1
PACKAGING	PC BOARD PATTERN	R	P	L	G	F	E	D	B	A	NO OF POS	PART NUMBER

THIS DRAWING IS A CONTROLLED DOCUMENT.

DIMENSIONS: mm [INCHES]	TOLERANCES UNLESS OTHERWISE SPECIFIED: 0 PLC ± - 1 PLC ± - 2 PLC ± 0.13[.005] 3 PLC ± - 4 PLC ± - ANGLES ± -	DWN B. MCMASTER 28JAN2004 CHK S. SHUEY 28JAN04 APVD M. WALMSLEY 28JAN04	 TE Connectivity	
		PRODUCT SPEC 108-1228	NAME RECEPTACLE ASSEMBLY, SHIELDED, RIGHT ANGLE, RAILED, .050 SERIES, AMPLIMITE	
MATERIAL	FINISH	APPLICATION SPEC 114-40029	SIZE A3	CAGE CODE 00779
1	2	WEIGHT -	DRAWING NO C-1761028	RESTRICTED TO -
CUSTOMER DRAWING			SCALE 2:1	SHEET 3 of 3
			REV D	

## X-ON Electronics

Largest Supplier of Electrical and Electronic Components

*Click to view similar products for [D-Sub Standard Connectors](#) category:*

*Click to view products by [TE Connectivity](#) manufacturer:*

Other Similar products are found below :

[56F711-015](#) [012-9507-004](#) [LV242999-142T12](#) [015-0341-000](#) [015-0372-005](#) [015-0372-008](#) [015-8755-001](#) [020419-0104](#) [012-0467-000](#) [012-0515-000](#) [012-9507-034](#) [012-9507-114](#) [020745-0008](#) [609-25P](#) [M24308/2-23Z](#) [CT2-14S-2PCA34](#) [CT2-18-11PCAU](#) [CT6-10SL-3SC](#) [CT6-10SL-4SC](#) [CT6-14S-2SC](#) [CT6E14SA7SC](#) [M83513/01-FC](#) [M83723/76W24619 L/C](#) [M85049/48-3-2F](#) [6STD09PCM99B70X](#) [6STD09SCM99B30X](#) [6STD09SCT99S40X](#) [6STD15PCT99S40X](#) [6STD15SCM99B30X](#) [6STD15SCT99S40X](#) [6STF09PCM05B70X](#) [7-135760-9](#) [MC11E-10-6SN](#) [747552-3](#) [MD1-21PS](#) [MDM-15SCBRM7-F222](#) [MDM96517-699](#) [MDM96521-744](#) [MDVB1-21SL1](#) [MIK0-1-7SH003](#) [MIKQ6-7SH076](#) [MIKQ7-7PH077](#) [MIKQ7-7PH11](#) [MIKQ7-7PH32](#) [MJSV-28SL61](#) [MKJ4A1F14-55S](#) [8-135760-3](#) [8STD09PCM99B30X](#) [PG-KV/PV-16-GROM-SEALING](#) [GDA15P](#)