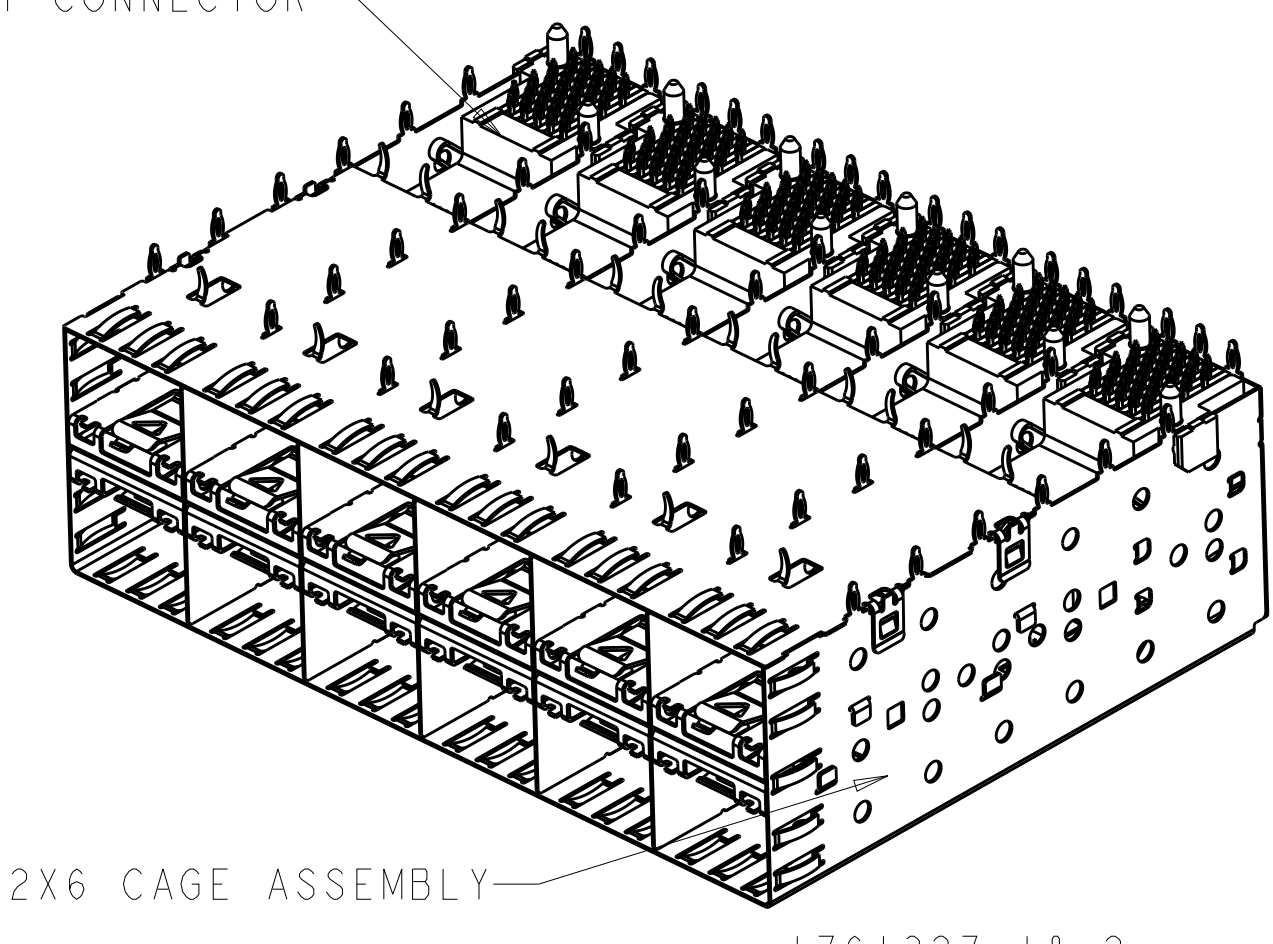
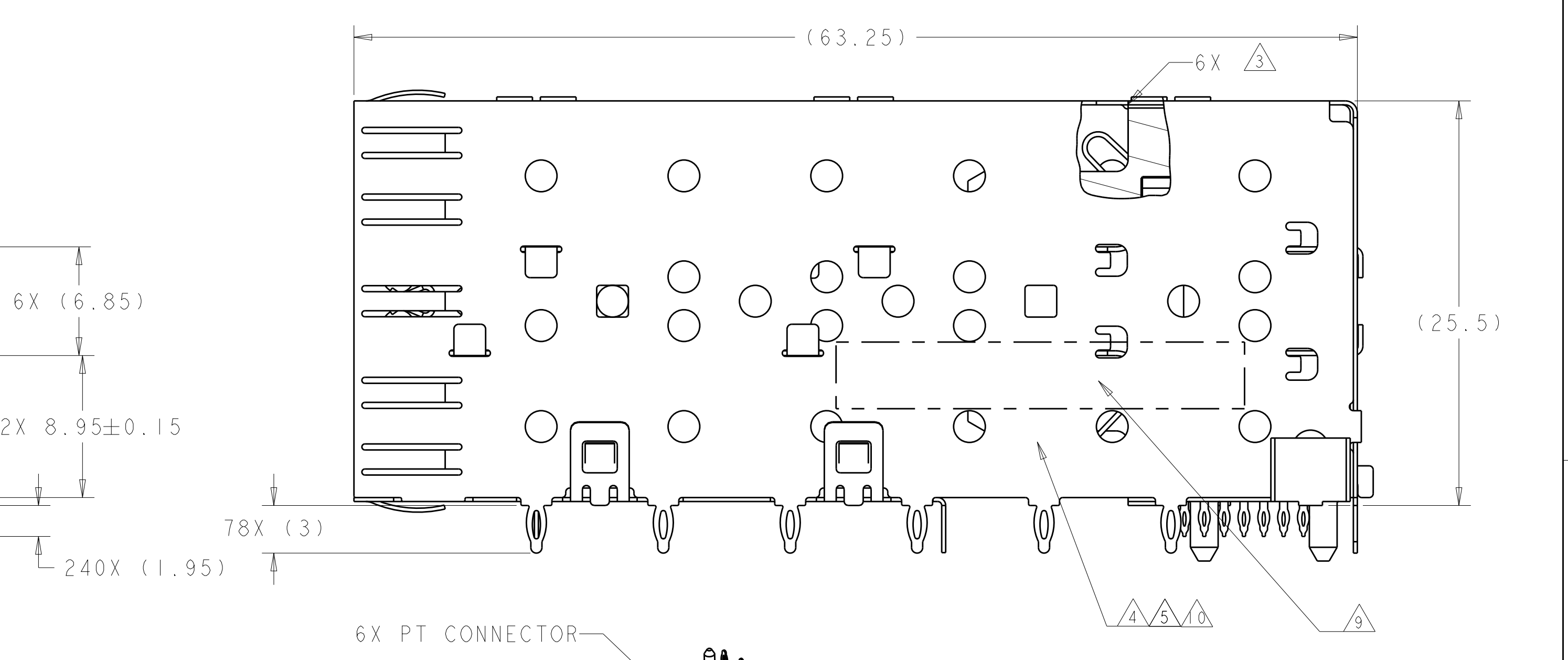
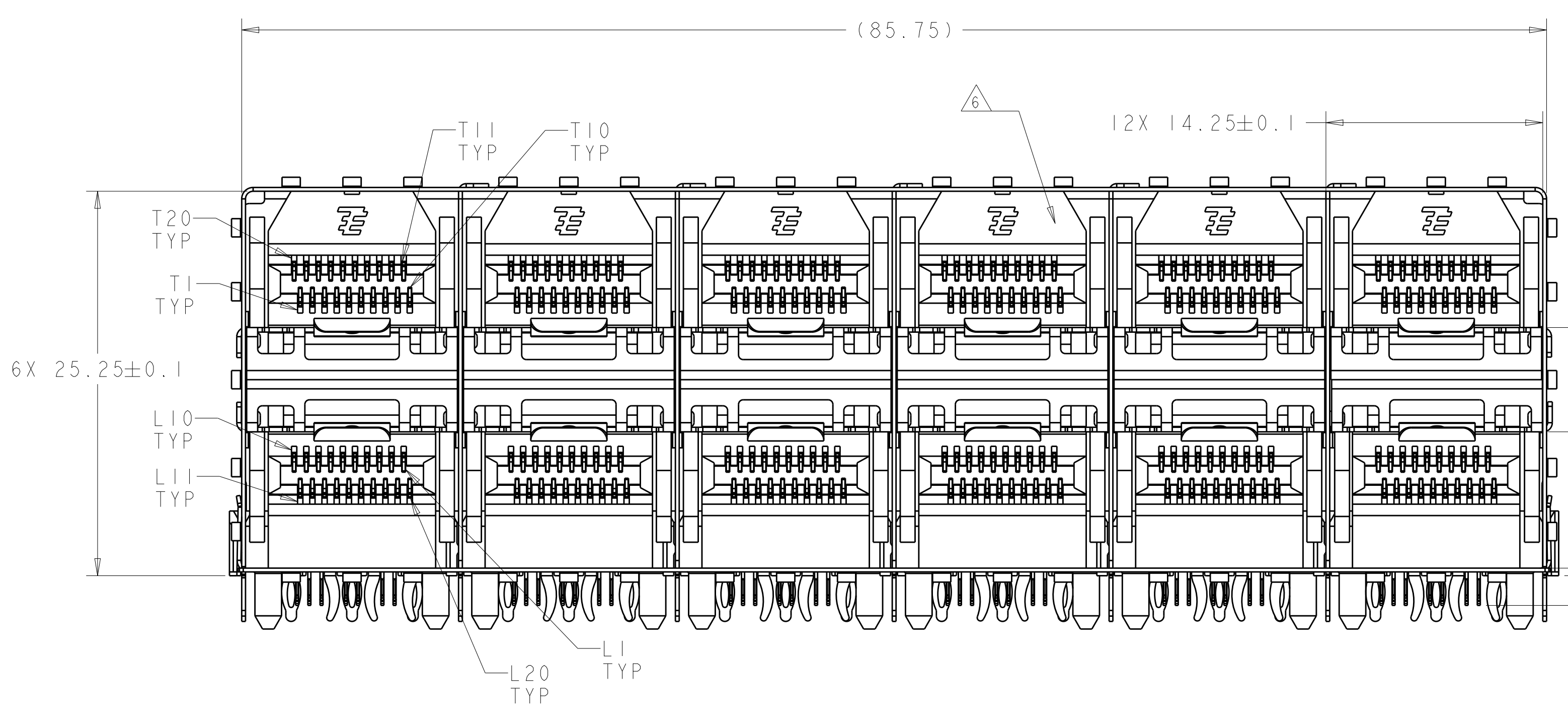
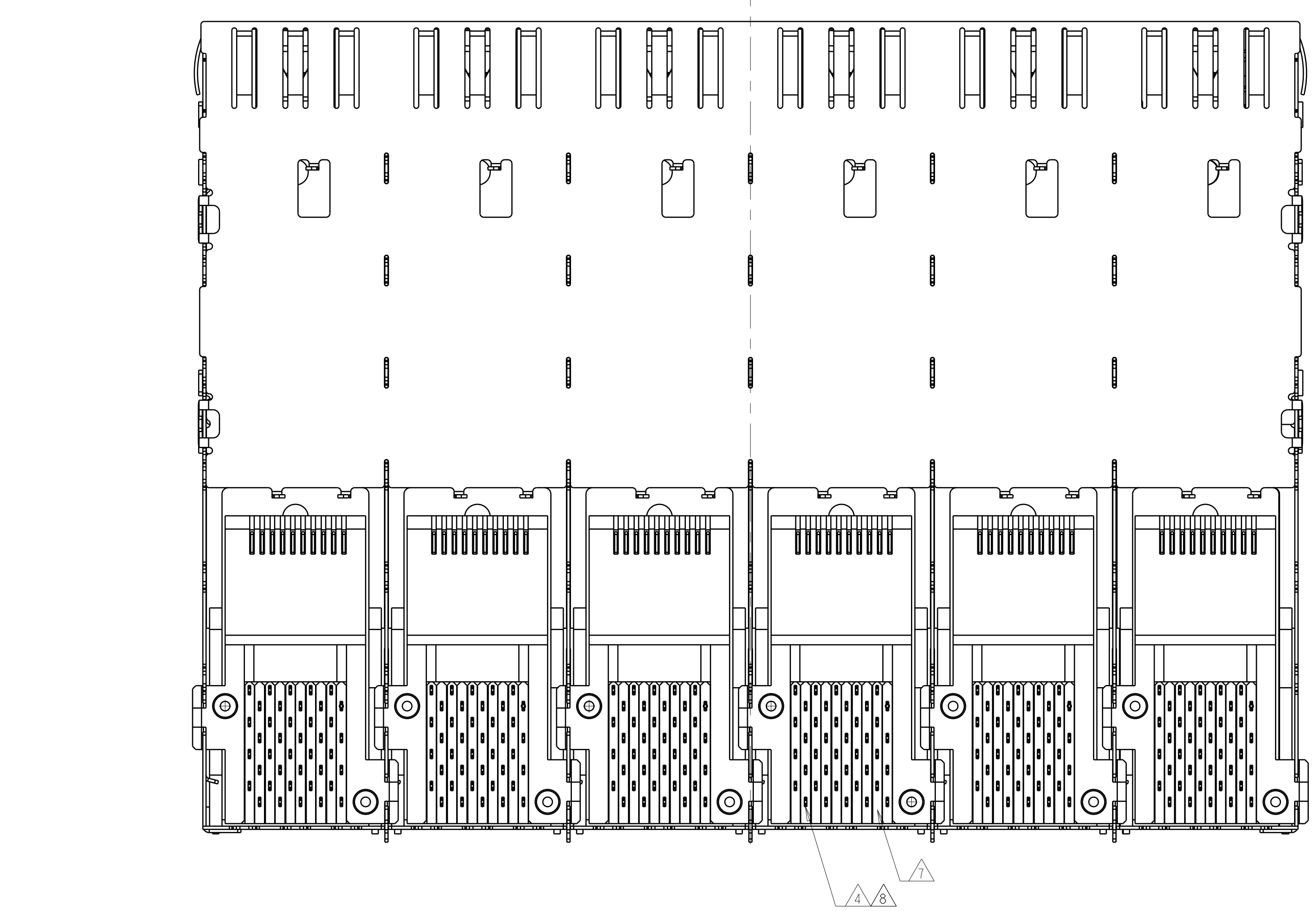


LOC	DIST	REV	DATE	BY	CHKD	APVD
ES	00					
C		ECR-08-028454	11NOV2008	AL		SY
D		REVISED PER ECO-14-000886	20FEB2014	JW		SH
D1		REVISED PER ECO-14-010419	11JUL2014	JW		SH
E		REVISED PER ECO-15-013594	25SEP2015	JW		SH



- 1 DATUM AND BASIC DIMENSION TO BE DETERMINED BY CUSTOMER.
- 2 INTERPRETATION OF DATUM REFERENCE FRAME IN ACCORDANCE WITH SECT 4.4.1.1 OF ASME Y14.5M-1994.
- 3 TOP OF PT CONNECTOR TO BE 0-0.15 FROM INSIDE SURFACE OF CAGE.
- 4 COPPER ALLOY.
- 5 1.25µm MIN TIN PER ASTM B 545 OVER NICKEL FLASH PER QQ-N-290. NON-PLATED EDGES PERMISSIBLE.
- 6 LCP, HIGH TEMPERATURE, UL 94V-0 RATED, BLACK.
- 7 POLYESTER, UL 94V-0 RATED, BLACK.
- 8 CONTACT MATING AREA: SURFACE TREATMENT OVER 0.76µm MIN GOLD PER ASTM B 488 OVER 1.27µm MIN NICKEL PER QQ-N-290. NEEDLE EYE: 1.25µm MIN TIN PER ASTM B 545 OVER 1.27µm MIN NICKEL PER QQ-N-290. REMAINDER OF CONTACT: 0.76µm MIN NICKEL PER QQ-N-290.
- 9 DATE CODE AND PART NUMBER IN APPROXIMATE AREA SHOWN.
- 10 NICKEL SILVER ALLOY (NO PLATING)

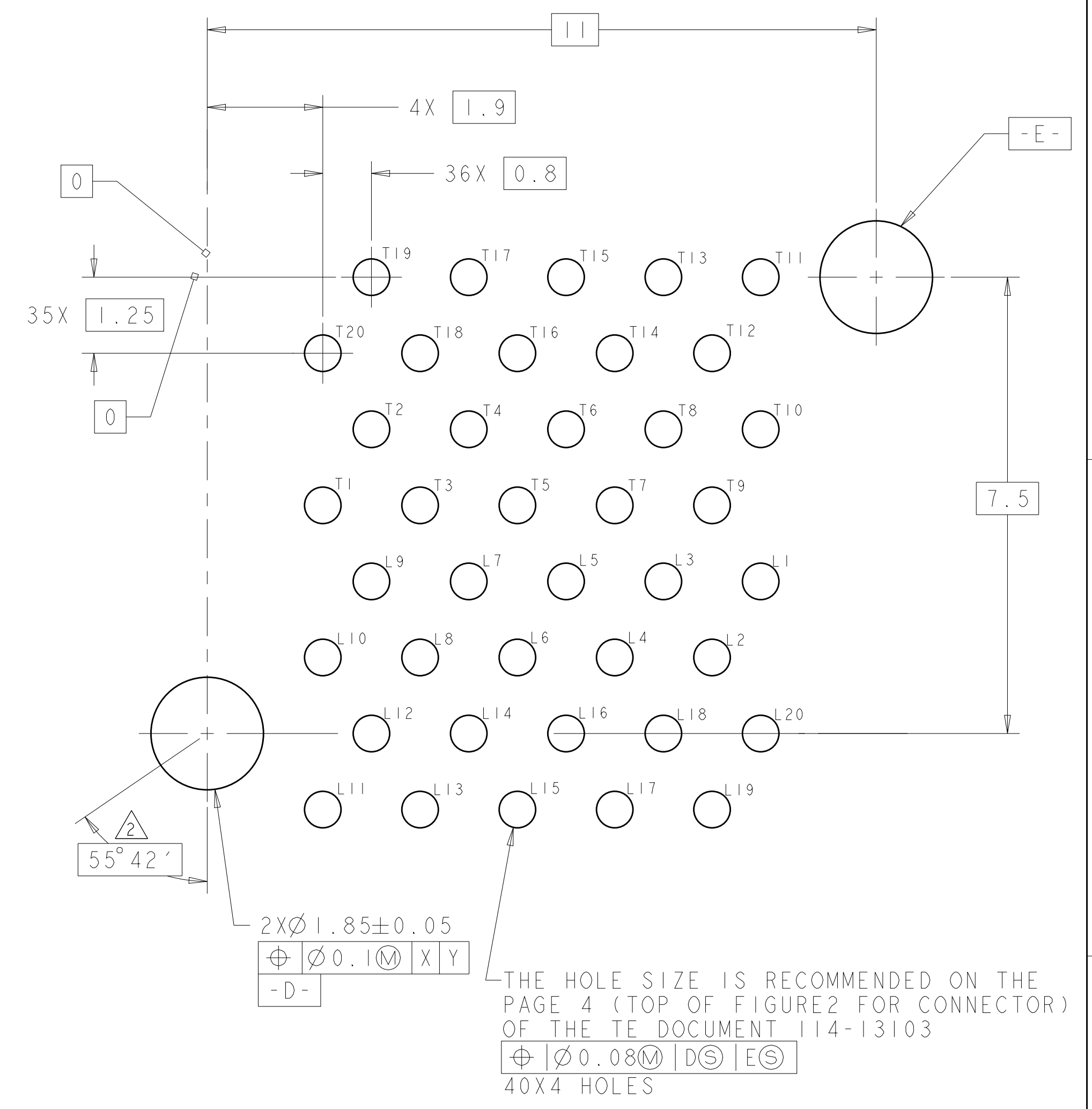
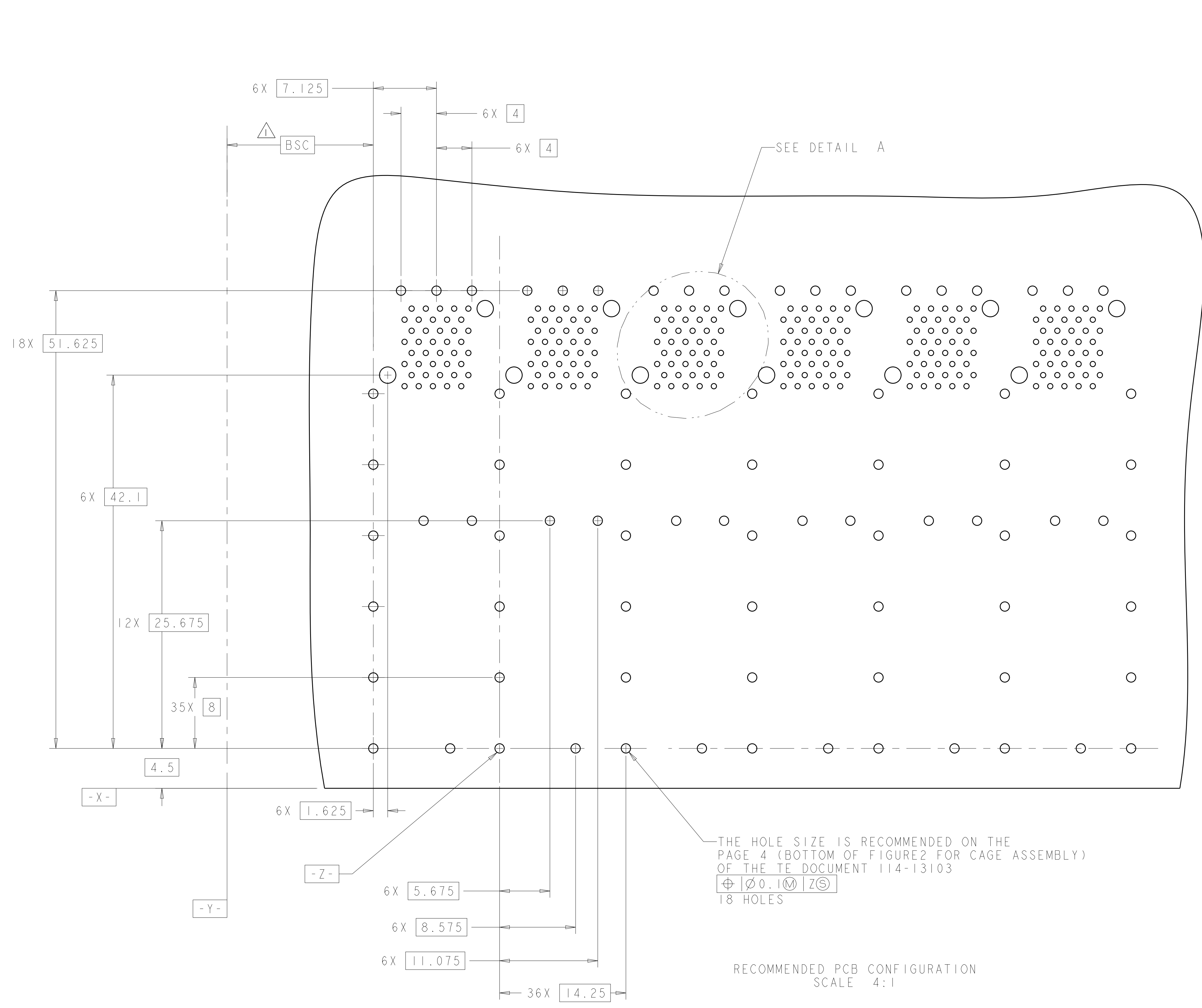


SUPERSEDED BY: 1761327-2		NO	1761327-2
CONNECTOR FINISH	CONNECTOR MATERIAL	CAGE FINISH	CAGE MATERIAL
NO	NO	NO	NO
1761327-1	1761327-1	1761327-1	1761327-1
PART NUMBER		PART NUMBER	
1761327-2		1761327-2	

THIS DRAWING IS A CONTROLLED DOCUMENT.		OWN	28 JUN 04	TE Connectivity NAME: CAGE AND PT CONNECTOR ASSEMBLY PRESS FIT, 2X6, STANDARD PROFILE SFP
DIMENSIONS:		DRW	30 JUN 04	
mm		CHK	30 JUN 04	
TOLERANCES UNLESS OTHERWISE SPECIFIED:		APVD	30 JUN 04	
0 PLC	±	M. WALSLEY		
1 PLC	±0.1	PRODUCT SPEC		
2 PLC	±	108-2161		
3 PLC	±	APPLICATION SPEC		
4 PLC	±	114-13103		
ANGLES	±	WEIGHT		
MATERIAL	FINISH	CUSTOMER DRAWING		
		SCALE	4:1	SHEET 1 OF 3
		REV	E	

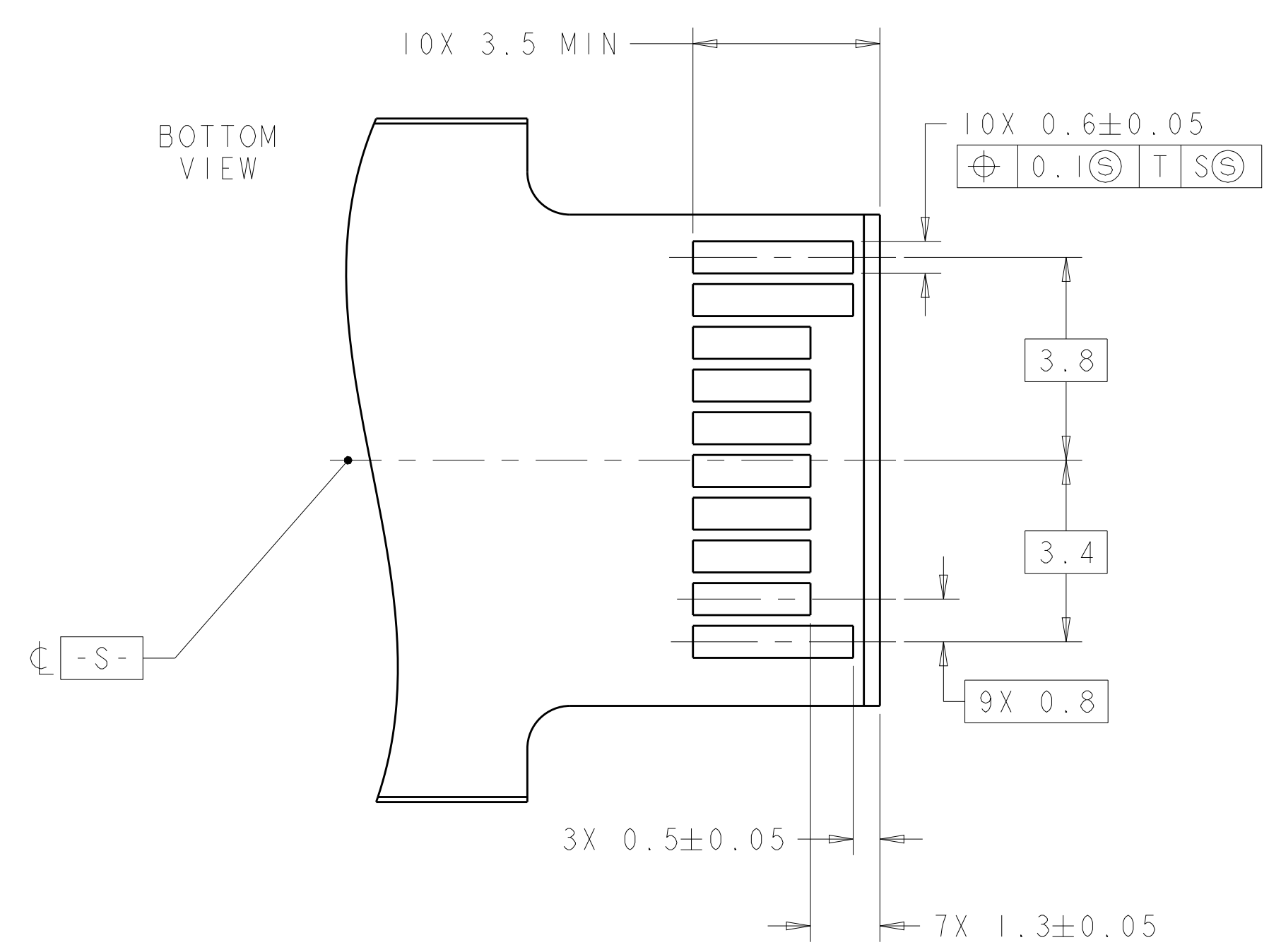
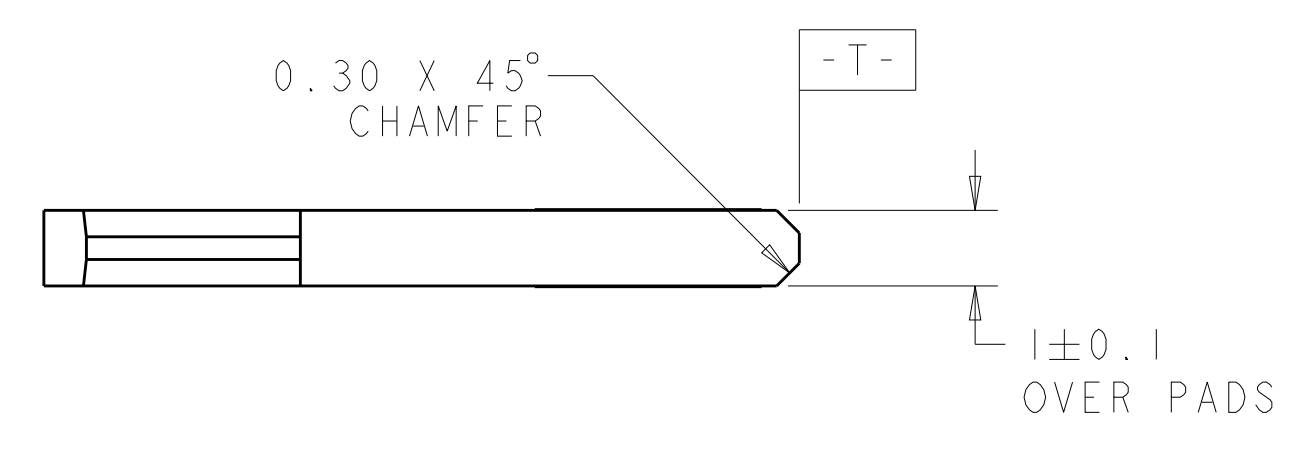
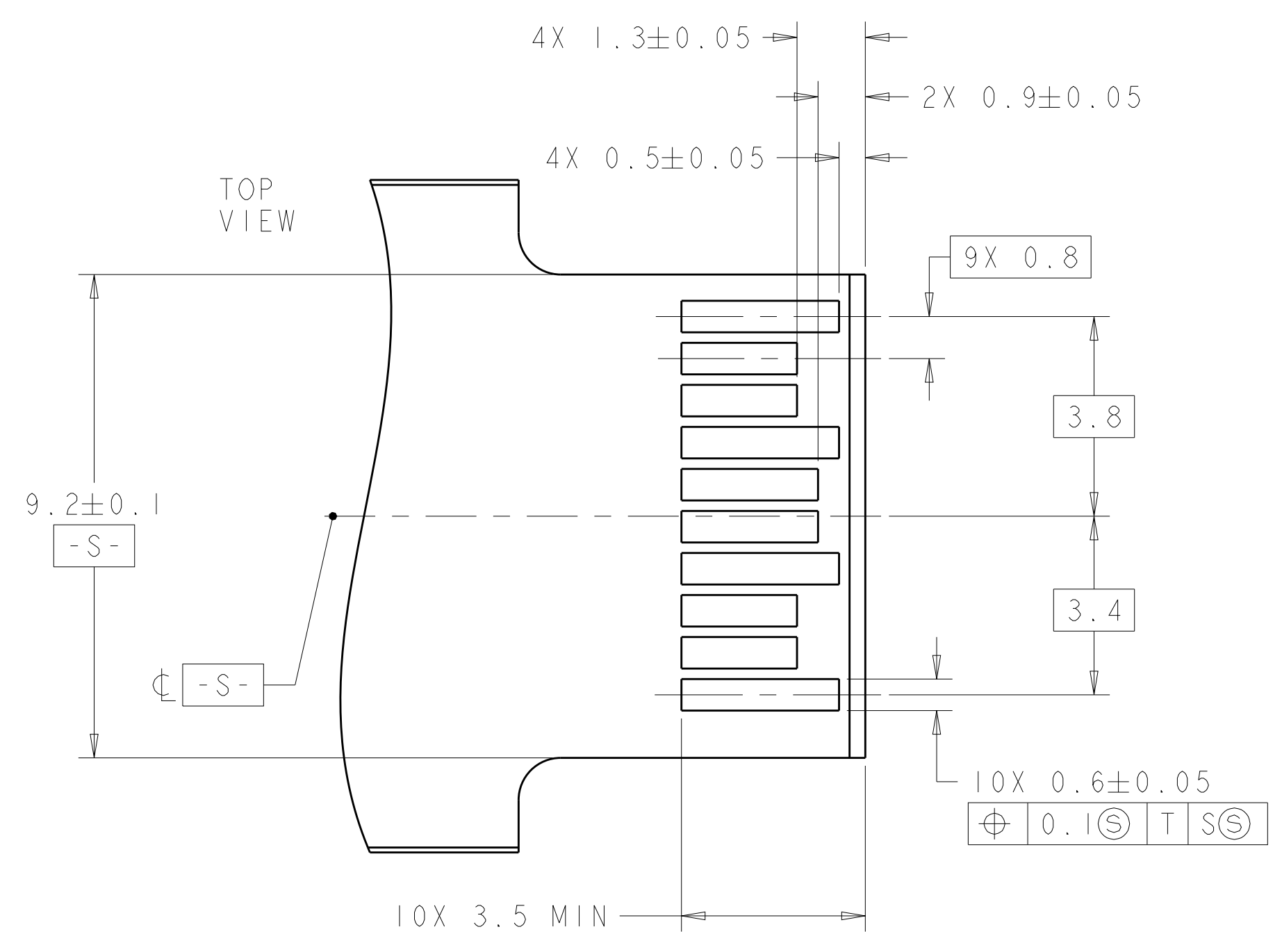
LOC	DIST	REV	DATE	BY	APPV
ES	00				

REVISIONS					
NO.	DESCRIPTION	DATE	BY	APPV	
-	SEE SHEET 1	-	-	-	-



THIS DRAWING IS A CONTROLLED DOCUMENT.		OWN: B. CRISAMORE 28 JUN04	TE Connectivity	
DIMENSIONS: mm		CHK: J. KOPPENHEFFER 30 JUN04		
TOLERANCES UNLESS OTHERWISE SPECIFIED:		APV: M. WALMSLEY 30 JUN04	NAME: CAGE AND PT CONNECTOR ASSEMBLY PRESS FIT, 2X6, STANDARD PROFILE SFP	
0 PLC ±	1 PLC ±0.1	PRODUCT SPEC: 108-2161	SIZE: A1	
2 PLC ±	3 PLC ±	APPLICATION SPEC: 114-13103	CAGE CODE: 1761327	
4 PLC ±	ANGLES ±	FINISH	RESTRICTED TO: -	
MATERIAL: -	FINISH: -	WEIGHT: -	SCALE: 1:1 SHEET 2 OF 3 REV E	
CUSTOMER DRAWING				

LOC	DIST	REVISIONS					
		P.	LTN	DESCRIPTION	DATE	DWN	APVD
ES	00	-	-	SEE SHEET 1	-	-	-



RECOMMENDED LAYOUT FOR
MATING TRANSCEIVER PCB
SCALE 10:1

THIS DRAWING IS A CONTROLLED DOCUMENT.		DWN B. CRISAMORE 30 JUN04	28 JUN04	TE Connectivity
DIMENSIONS: mm		CHK J. KOPPENHEFFER 30 JUN04	30 JUN04	
TOLERANCES UNLESS OTHERWISE SPECIFIED:		APVD M. WALMSLEY 30 JUN04		NAME CAGE AND PT CONNECTOR ASSEMBLY PRESS FIT, 2X6, STANDARD PROFILE SFP
0 PLC ± 2 PLC ±0.1 3 PLC ± 4 PLC ± ANGLES ±		PRODUCT SPEC 108-2161		APPLICATION SPEC
FINISH		114-13103		RESTRICTED TO
MATERIAL		WEIGHT		SIZE A1
CUSTOMER DRAWING		SCALE 8:1		SHEET 3 OF 3
		REV E		

X-ON Electronics

Largest Supplier of Electrical and Electronic Components

Click to view similar products for [I/O Connectors](#) category:

Click to view products by [TE Connectivity](#) manufacturer:

Other Similar products are found below :

[571763P](#) [72.250.1628.2](#) [72.250.2428.2](#) [74720-0505](#) [76.350.0729.0](#) [76871-1403](#) [FCN-244F080-G/1](#) [FCN-260A9920](#) [MP-5T180MUNNA-005](#)
[PCR-E36PM](#) [PCS-XE26MA+](#) [G38A71314B](#) [1571250010](#) [157-22500-3](#) [MS3471L14-19P L/C](#) [91-569786-35H](#) [172501-4002](#) [172501-6002](#)
[FCN-260C008-A/L0](#) [FCN-260C024-AL0](#) [FCN-261Z008](#) [2000314-1](#) [200331-1](#) [PCR-E36FC+](#) [PCS-E28FS+](#) [PCS-XE26SLFD+](#) [PCS-](#)
[XE26SLFDT+](#) [G730VID08BDC24](#) [HDMR-29-01-S-SM-TR](#) [U90B2054081210](#) [UE86K842720321](#) [38113800006](#) [DP3AR020WQ1R200](#)
[Z4.102.0680.0](#) [500-1040](#) [500-1052](#) [500-1054](#) [ZP-4008-66L](#) [0709821002](#) [10-565995-597N](#) [5554841-1](#) [U90B3054061110](#) [U65-E04-4020](#)
[ZPF00000000097891](#) [557-262M2-06C](#) [747360449](#) [10099439-003C-TRLF](#) [10137239-0021LF](#) [E9320-001-01](#) [10137239-0011LF](#)