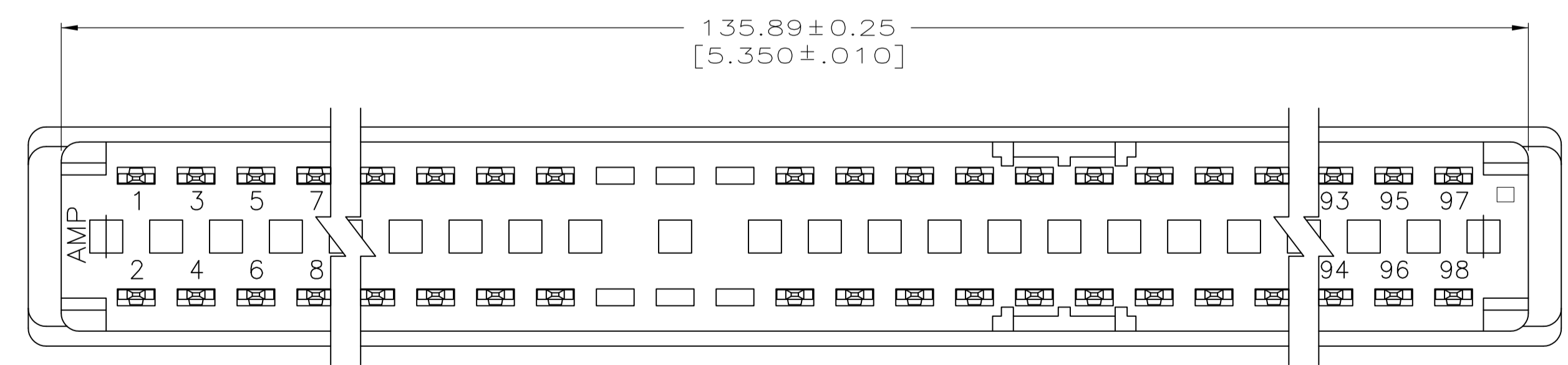
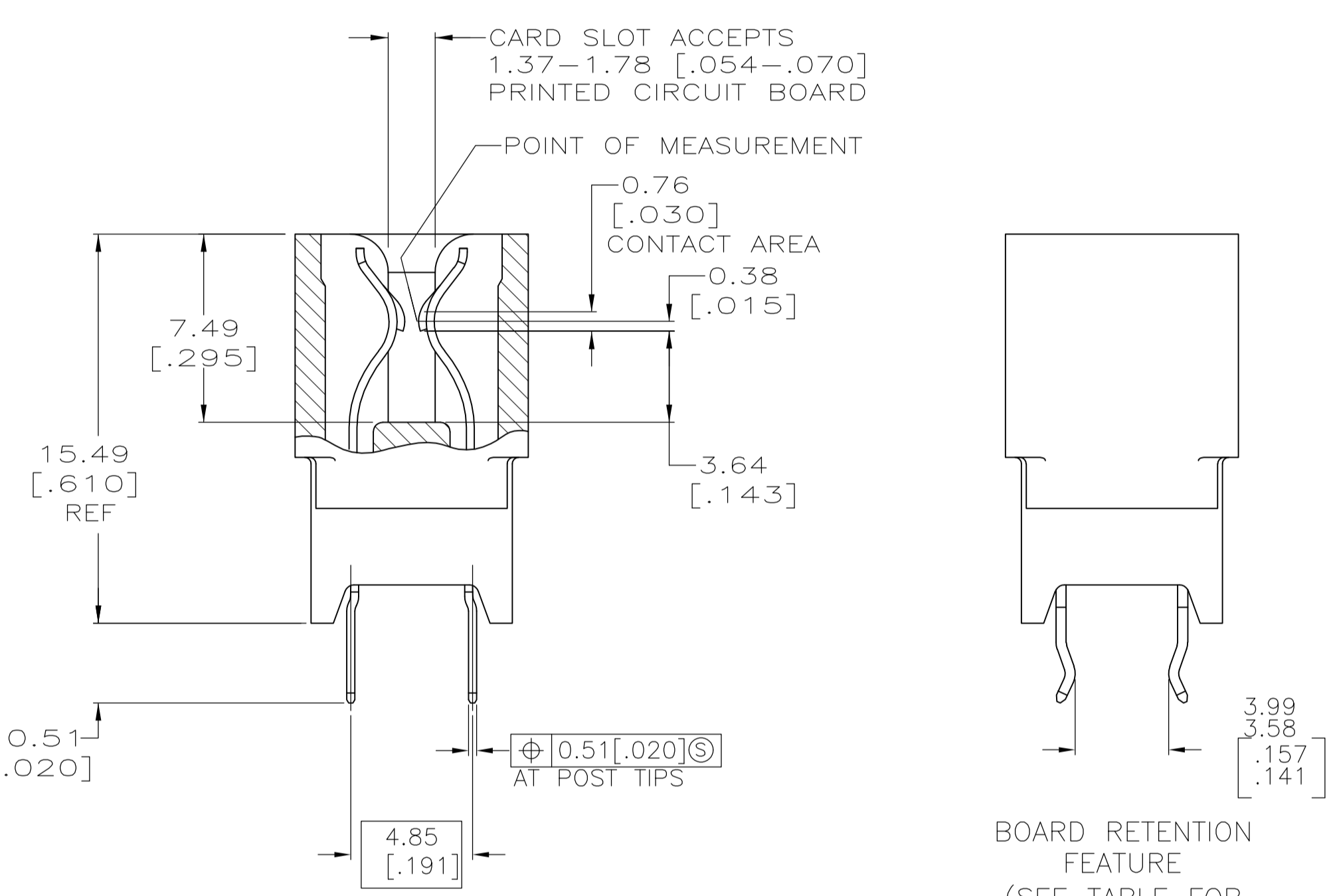
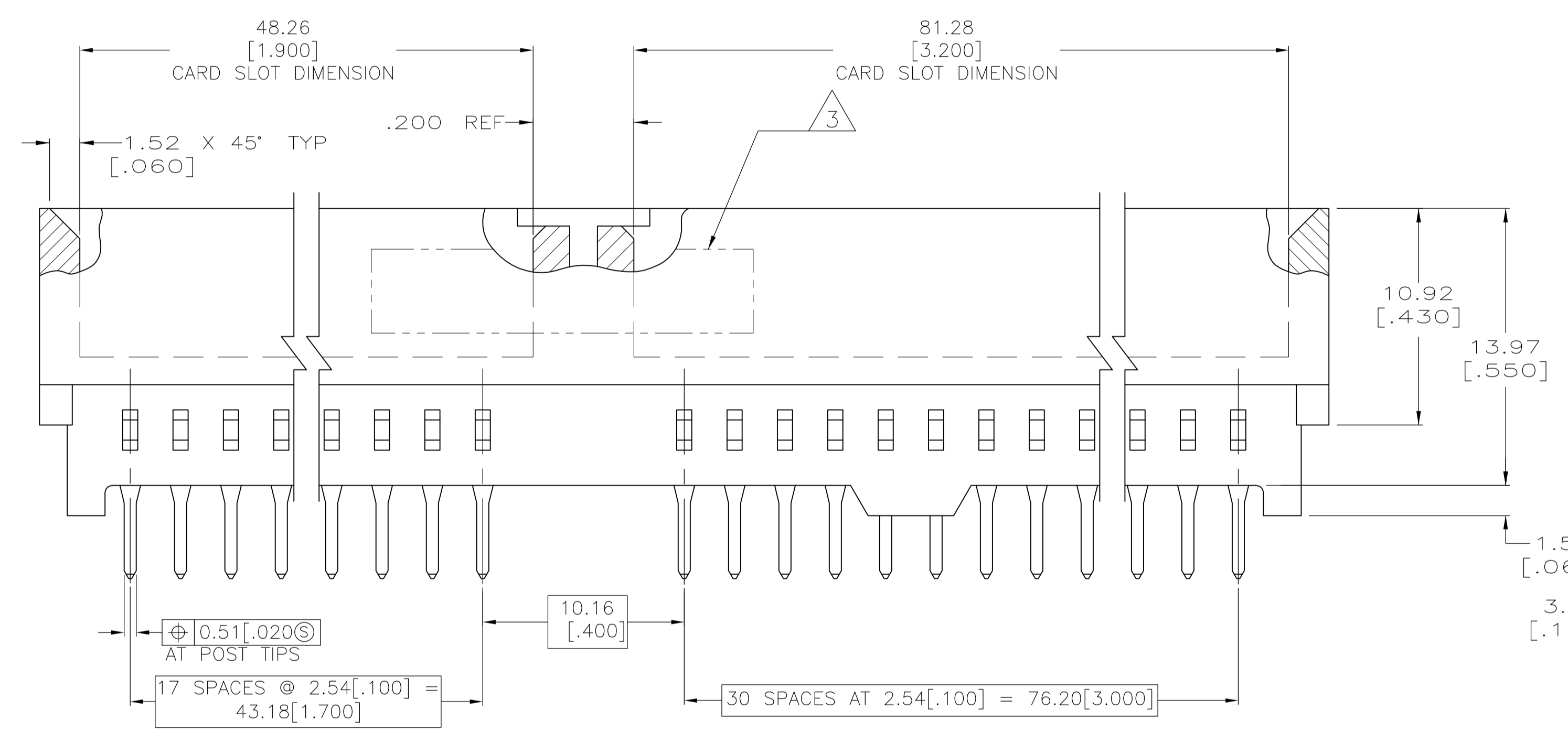
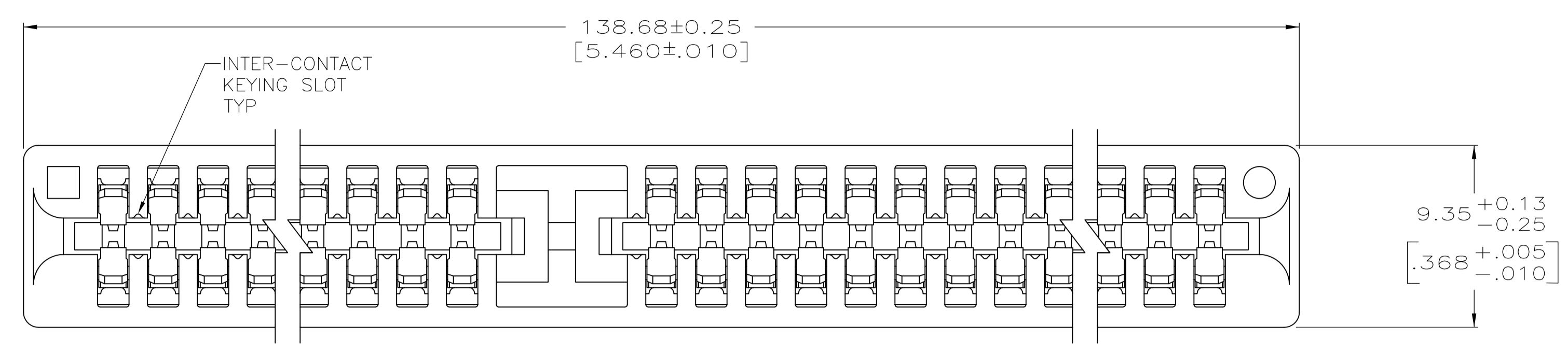


- MATERIAL:
HOUSING: GLASS FILLED POLYESTER; COLOR: BLACK.
CONTACT: PHOS BRONZE
- FINISH:
(SEE TABLE FOR GOLD PLATING) IN CONTACT AREA,
0.00254[.000100] MIN TIN-LEAD ON SOLDER POSTS, ALL
OVER 0.00127[.000050] MIN NICKEL
- AMP LOGO, TE PART NUMBER, DATE CODE AND CSA LOGO INK
STAMPED WHITE (HOT STAMPED OR LAZER PRINTED) IN THE APPROXIMATE
AREA SHOWN, EITHER SIDE PERMISSABLE, WHEN HOUSING SIZE PERMITS
- DATUMS AND BASIC DIMENSIONS ESTABLISHED BY CUSTOMER
- THE RETENTIVE FEATURE OF THIS CONNECTOR IS DESIGNED FOR
FULL SEATING IN 1.57±0.20[.062±.008] THICK CIRCUIT BOARDS.
FOR APPLICATIONS IN BOARDS OF OTHER THICKNESSES, CONTACT
TYCO ELECTRONICS
- FINISH: GOLD FLASH
- FINISH: 0.00038[.000015] MIN
- FINISH: 0.00076[.000030] MIN



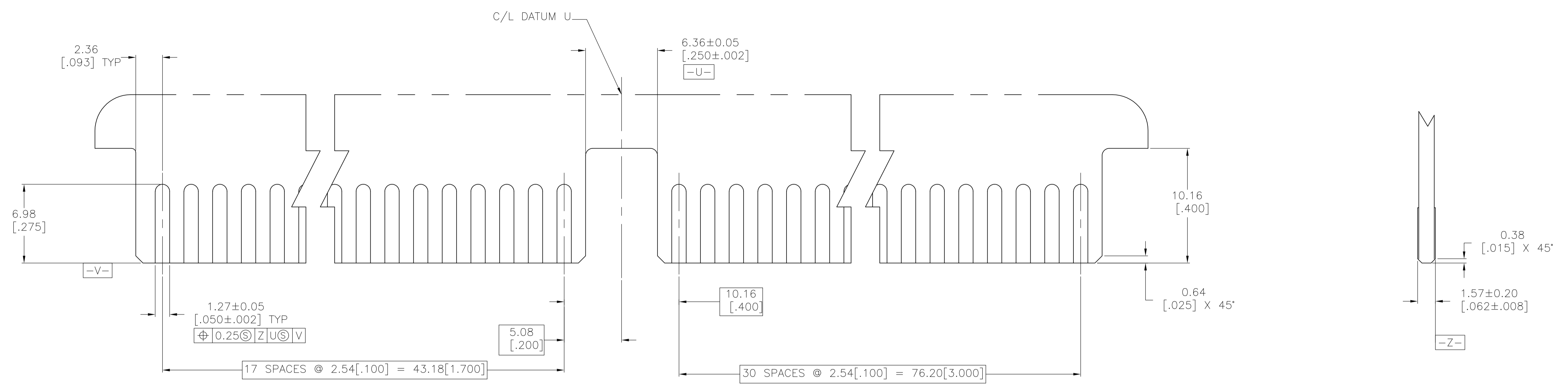
OBSOLETE	176139-4
PART NUMBER	

5, 6, 31, 32, 41, 42, 93, 94	△8	49	176139-3
5, 6, 31, 32, 41, 42, 93, 94	△7	49	176139-2
5, 6, 31, 32, 41, 42, 93, 94	△6	49	176139-1
BOARD RETENTION FEATURE LOCATION (SEE DETAIL Y)	FINISH	NO OF POSN	PART NUMBER

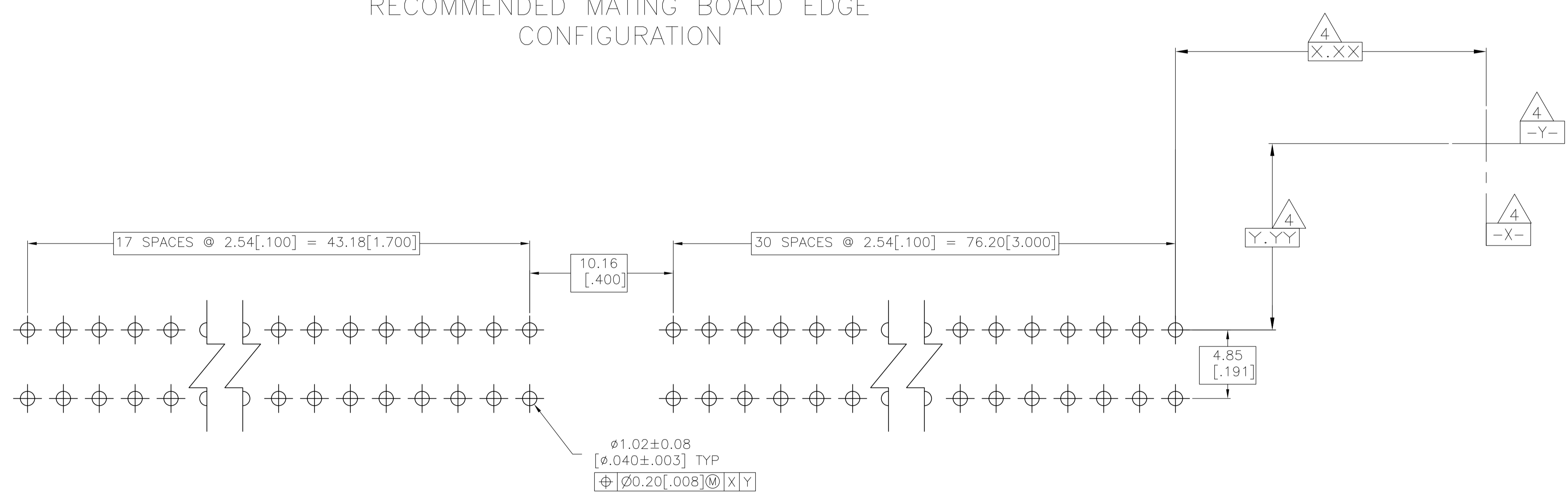
THIS DRAWING IS A CONTROLLED DOCUMENT.

DIMENSIONS: mm [INCHES]	TOLERANCES UNLESS OTHERWISE SPECIFIED:	DWN RB/LA.MAYER 08MAR2008	AWF
0 PLC ± -	1 PLC ± -	CHK A.W.FRANTUM 08MAR2008	APVD S.FLICKINGER 08MAR2008
2 PLC ± 0.13 [.005]	3 PLC ± -	NAME CONNECTOR ASSY, EDGE CARD, 2.54 [.100] CENTERLINE	
4 PLC ± -	ANGLES ± °	PRODUCT SPEC 108-1248	
MATERIAL SEE NOTE 1	FINISH SEE NOTE 2	SIZE A1	CAGE CODE 00779
CUSTOMER DRAWING		DRAWING NO. 176139	RESTRICTED TO
		SCALE 5:1	SHEET 1 OF 2

LOC		DIST		REVISIONS				
P	LTR	DESCRIPTION	DATE	DN	APVD			
AA	00	SEE SHEET 1						



RECOMMENDED MATING BOARD EDGE CONFIGURATION



RECOMMENDED PC BOARD LAYOUT

THIS DRAWING IS A CONTROLLED DOCUMENT.		DIN RB/LA.MAYER 08MAR2008		Tyco Electronics Tyco Electronics Corporation Harrisburg, Pa 17105-3608	
DIMENSIONS: mm [INCHES]		TOLERANCES UNLESS OTHERWISE SPECIFIED:		APVD S.FLICKINGER 08MAR2008 NAME	
0 PLC ± -		1 PLC ± -		PRODUCT SPEC 108-1248	
2 PLC ± 0.13 [.005]		3 PLC ± -		APPLICATION SPEC 114-13018	
4 PLC ± -		ANGLES ± °		SIZE CAGE CODE DRAWING NO. RESTRICTED TO	
MATERIAL SEE NOTE 1		FINISH SEE NOTE 2		WEIGHT A1 00779 C=176139	
CUSTOMER DRAWING				SCALE 5:1 SHEET 2 OF 2 REV AA	

X-ON Electronics

Largest Supplier of Electrical and Electronic Components

Click to view similar products for [Standard Card Edge Connectors](#) category:

Click to view products by [TE Connectivity](#) manufacturer:

Other Similar products are found below :

[6565204-6](#) [PKC-156](#) [1437274-4](#) [147889-1](#) [1489165-4](#) [1-582587-1](#) [1-582589-1](#) [2-6437275-9](#) [284-0102-12100](#) [306022901000000](#) [307-012-502-202](#) [307-024-526-201](#) [307-056-520-300](#) [307-080-526-208](#) [245-062-520-350](#) [287-0032-12101](#) [306-028-525-102](#) [306-240-318](#) [307-036-502-202](#) [307-036-521-301](#) [307-072-526-202](#) [345-060-559-303](#) [368-004-520-201](#) [392-008-559-201](#) [534671-1](#) [5-530501-5](#) [341-240-317](#) [345-029-520-300](#) [345-030-500-301](#) [345-044-500-300](#) [345-220-058](#) [346-240-318](#) [357-030-526-201](#) [387-012-523-300](#) [395-044-520-300](#) [395-100-524-300](#) [50-12B-10](#) [50-6SN-5](#) [09-07-2032](#) [10035388-106LF](#) [10035388-802LF](#) [10122859-009LF](#) [530555-1](#) [EBT156-15A2X](#) [2007209-1](#) [5-678046-1](#) [1766200-1](#) [650231-6](#) [650289-1](#) [73726-0005](#)