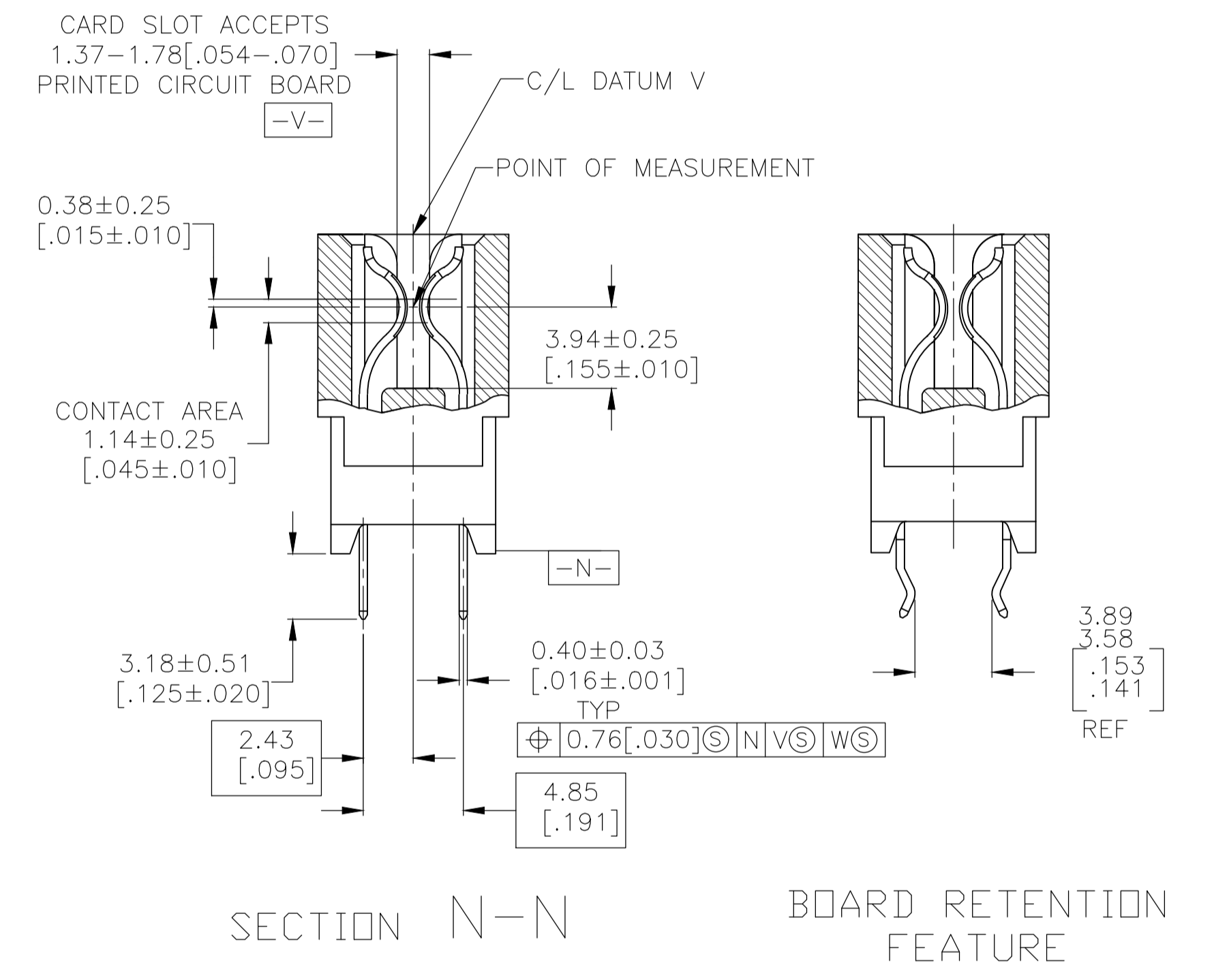
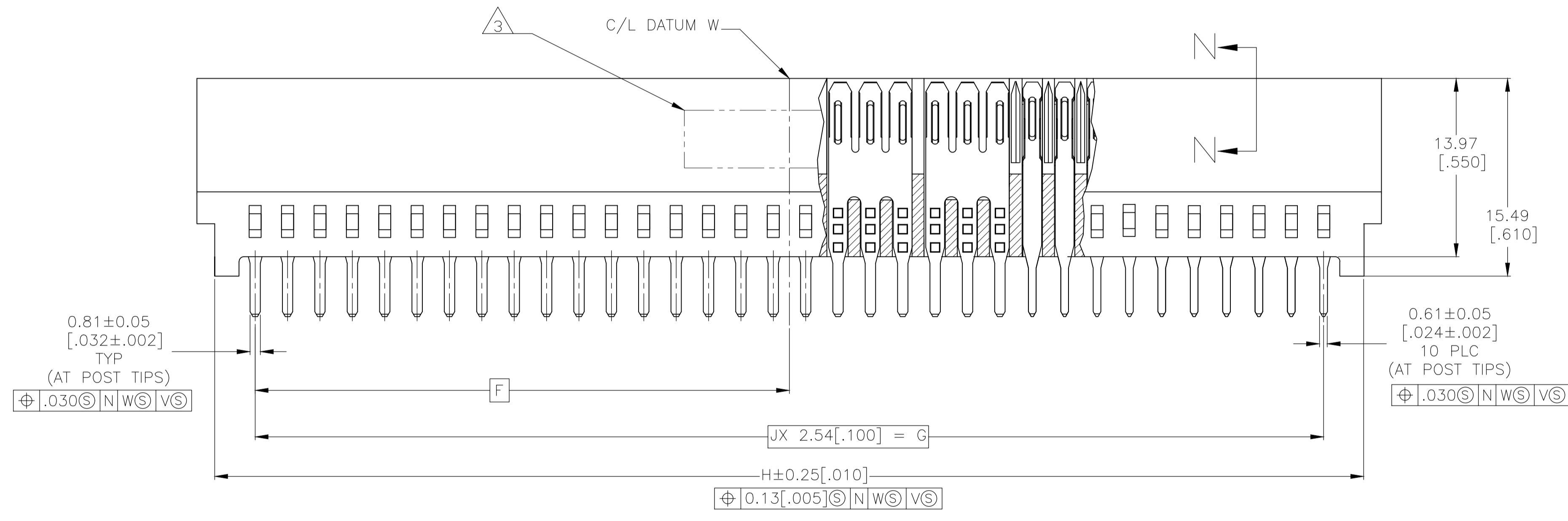
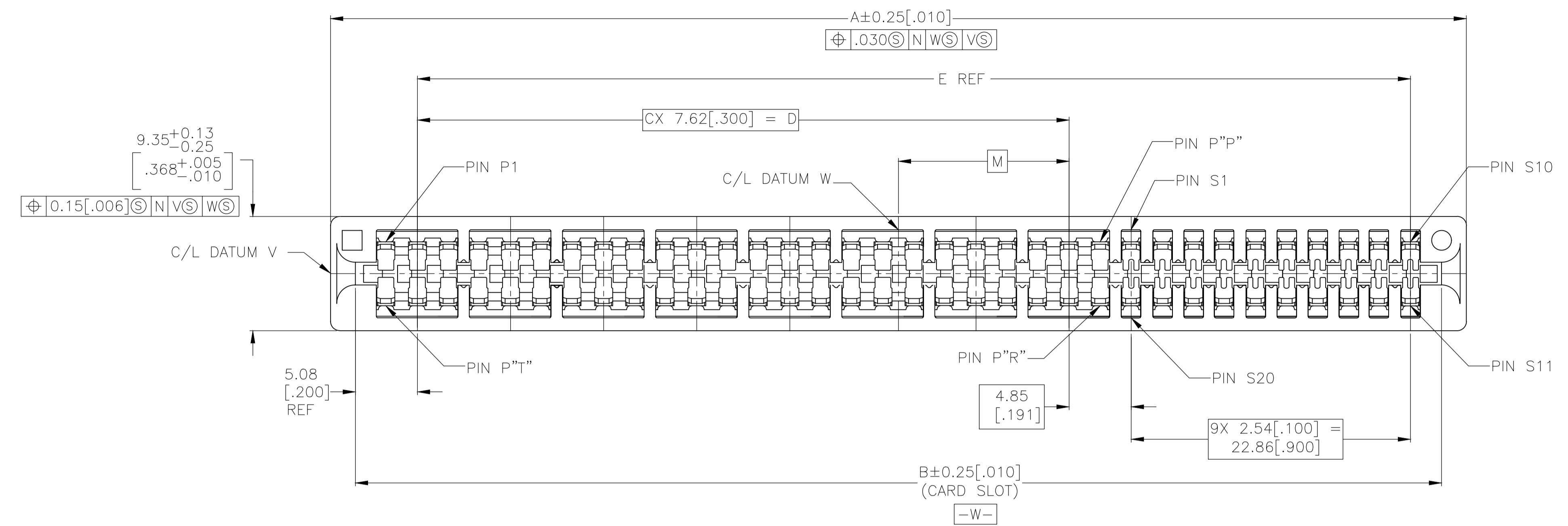


REVISIONS					
P	LTR	DESCRIPTION	DATE	DMN	APVD
B1		ECC-18-007516	15MAY2018	SZ	SZ

- 1 HOUSING: GLASS FILLED POLYESTER, BLACK, IR REFLOW COMPATIBLE
- 2 CONTACT: HIGH CONDUCTIVITY COPPER ALLOY. NICKEL PLATE .00127 [.000050] MIN - ALL OVER. TIN PLATE .00254 [.000100] MIN - SOLDER POSTS. GOLD PLATE .00038 [.000015] MIN - IN MATING AREA.
- 3 AMP PART NUMBER, DATE CODE AND CSA LOGO MARKED IN APPROXIMATE AREA SHOWN, EITHER SIDE.
- 4 DATUMS X, Y & BASIC DIMENSIONS ARE TO BE ESTABLISHED BY THE CUSTOMER
- 5 NO BURRS AND/OR SHARP EDGES ARE PERMISSABLE
- 6 HOUSING: GLASS FILLED POLYESTER, BLACK, IR REFLOW INCOMPATIBLE



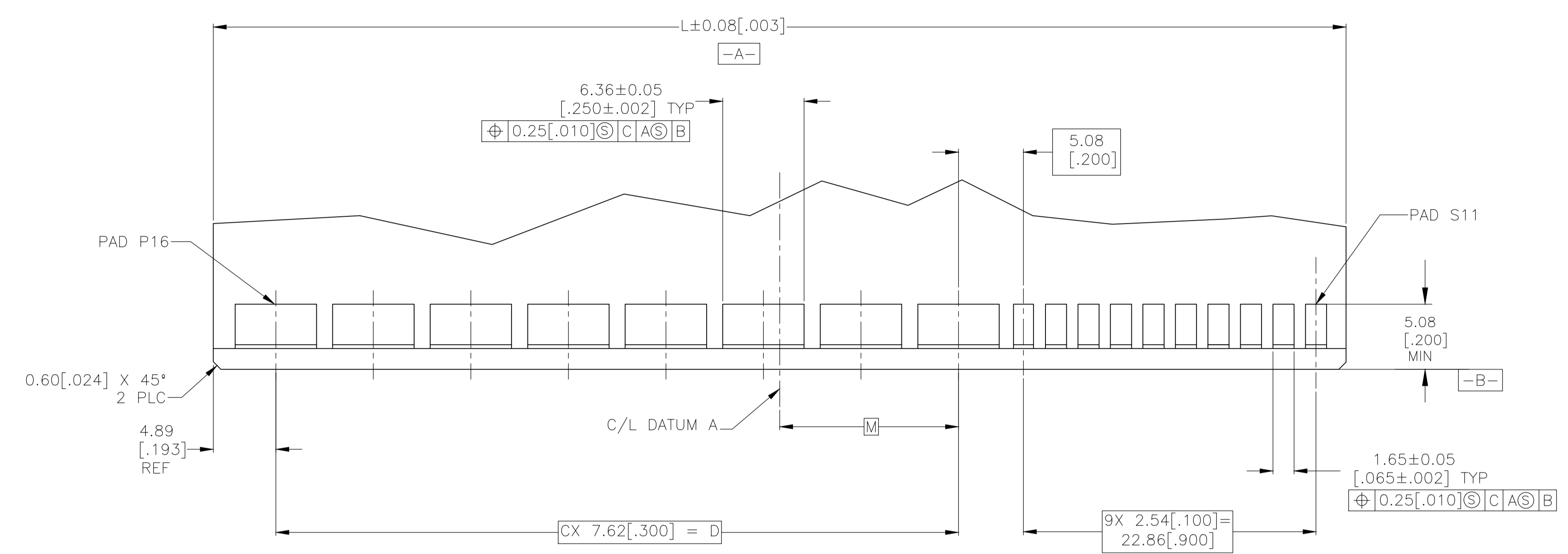
P2, P3, S8, S9, S12, S13, P16, P17	P18	P10	P9	-5.08 [-.200]	50.42 [1.985]	45.72 [1.800]	18	52.07 [2.050]	20.32 [0.800]	22.86 [0.900]	43.18 [1.700]	15.24 [0.600]	2	50.80 [2.000]	54.86 [2.160]	NONE	NONE	10	3	1761426-5
P2, P3, S8, S9, S12, S13, P16, P17	P18	P10	P9	-5.08 [-.200]	50.42 [1.985]	45.72 [1.800]	18	52.07 [2.050]	20.32 [0.800]	22.86 [0.900]	43.18 [1.700]	15.24 [0.600]	2	50.80 [2.000]	54.86 [2.160]	NONE	NONE	10	3	1761426-3
P2, P3, S8, S9, S12, S13, P28, P29	P30	P16	P15	2.54 [0.100]	65.66 [2.585]	60.96 [2.400]	24	67.31 [2.650]	35.56 [1.400]	30.48 [1.200]	58.42 [2.300]	30.48 [1.200]	4	66.04 [2.600]	70.10 [2.760]	NONE	NONE	10	5	1761426-2
P2, P3, S8, S9, S12, S13, P46, P47	P48	P25	P24	13.97 [0.550]	88.52 [3.485]	83.82 [3.300]	33	90.17 [3.550]	58.42 [2.300]	41.91 [1.650]	81.28 [3.200]	53.34 [2.100]	7	88.90 [3.500]	92.96 [3.660]	NONE	NONE	10	8	1761426-1 (SHOWN)
BOARD RETENTION FEATURE LOCATION	T	R	P	M	L	K	J	H	G	F	E	D	C	B	A	MOLDED KEY LOCATION	OMITTED PIN	NO OF SINGLE POSITIONS	NO OF MULTIPLE POSITIONS	PART NUMBER

THIS DRAWING IS A CONTROLLED DOCUMENT.

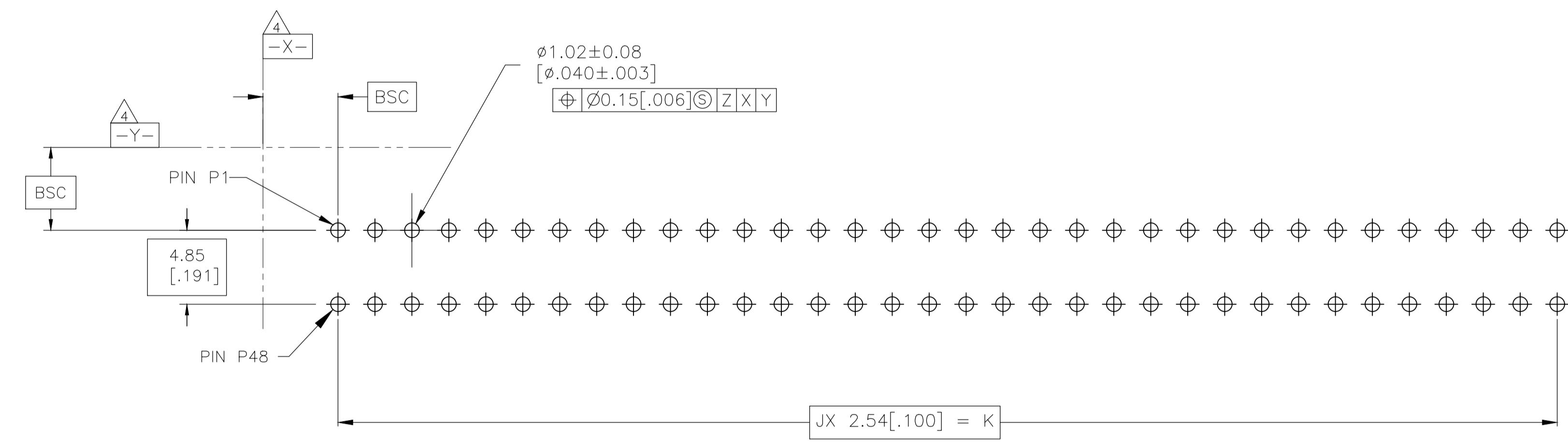
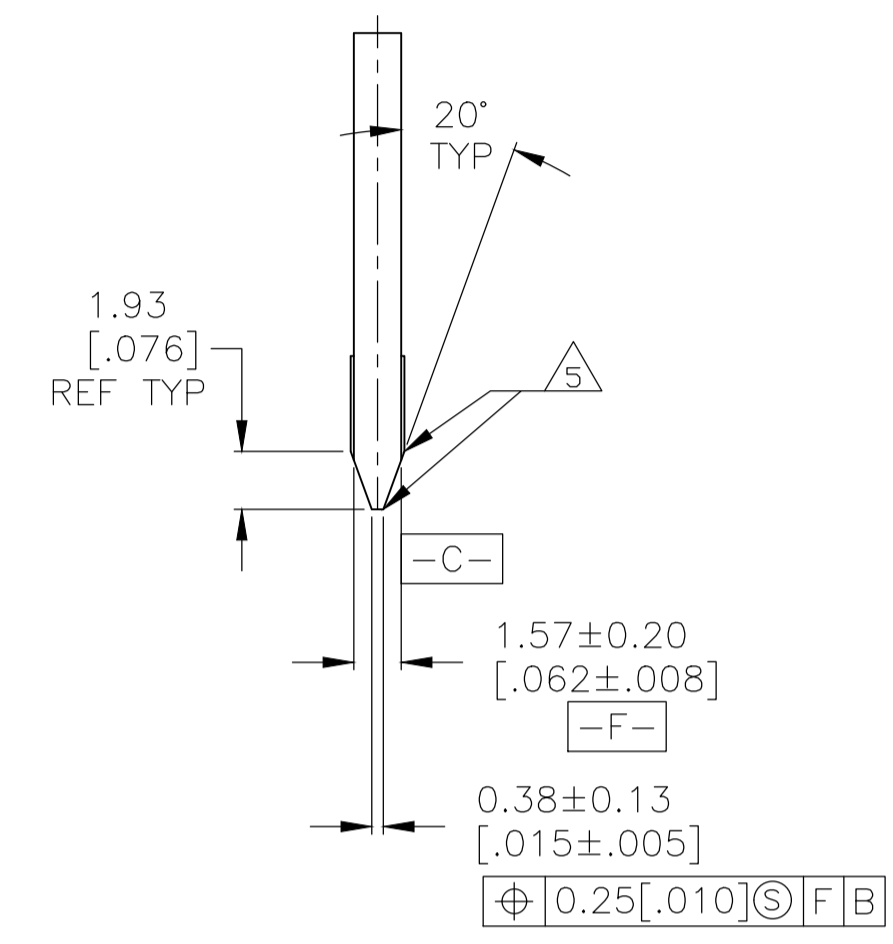
DMN: AL FRANTUM	09 JUL 04	 TE Connectivity Ltd.
CHK: AL FRANTUM	09 Jul 04	
APVD: S. FLICKINGER	29JUNE2008	
PRODUCT SPEC	NAME	
DIMENSIONS: MM [INCHES]		TOLERANCES UNLESS OTHERWISE SPECIFIED: 0 PLC ± - 1 PLC ± - 2 PLC ± - 3 PLC ± 0.13 [.005] 4 PLC ± - ANGLES ± °
MATERIAL: SEE NOTE 1 2& 7	FINISH: SEE NOTE 2	WEIGHT: 0.0 SCALE: 4:1 SHEET: 1 OF 2 REV: B1

CONNECTOR ASSEMBLY, SEC II POWER, DUAL POSITION, 2.54 [.100], CARD EDGE

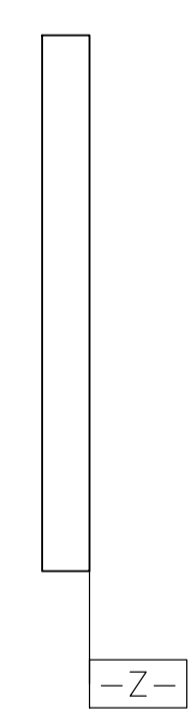
REVISIONS				
#	LR	DESCRIPTION	DATE	OWN APVD
-	-	SEE SHEET 1	-	-



RECOMMENDED MATING BOARD EDGE CONFIGURATION
 -1 CONFIGURATION SHOWN
 TYP BOTH SIDES



RECOMMENDED PC BOARD HOLE LAYOUT
 -1 CONFIGURATION SHOWN



THIS DRAWING IS A CONTROLLED DOCUMENT.		DWN: AL FRANTUM 09 JUL 04	TE Connectivity Ltd.
DIMENSIONS: MM [INCHES]		CHK: AL FRANTUM 09 JUL 04	
TOLERANCES UNLESS OTHERWISE SPECIFIED:		APVD: S. FLICKINGER 29 JUNE 2006	NAME: CONNECTOR ASSEMBLY, SEC. II POWER, DUAL POSITION, 2.54 [0.100] CENTERLINE, CARD EDGE
0 PLC ± -	1 PLC ± -	PRODUCT SPEC	SIZE: A1
2 PLC ± -	3 PLC ± 0.13 [0.005]	APPLICATION SPEC	CAGE CODE: 00779
4 PLC ± -	ANGLES ± -	FINISH: SEE NOTE 2	DRAWING NO: 1761426
MATERIAL: SEE NOTE 1 & 7	FINISH: SEE NOTE 2	WEIGHT: -	RESTRICTED TO: -
CUSTOMER DRAWING		SCALE: 5:1	SHEET: 2 OF 2
			REV: B1

X-ON Electronics

Largest Supplier of Electrical and Electronic Components

Click to view similar products for [Standard Card Edge Connectors](#) category:

Click to view products by [TE Connectivity](#) manufacturer:

Other Similar products are found below :

[CR7E-30DB-3.96E\(72\)](#) [6364499-1](#) [6565204-6](#) [PKC-156](#) [1437274-4](#) [147889-1](#) [1489165-4](#) [EBT15622B2X](#) [1-582587-1](#) [284-0102-12100](#)
[286-0052-12101A](#) [306022901000000](#) [307-012-502-202](#) [307-056-520-300](#) [2129318-1](#) [245-062-520-350](#) [287-0032-12101](#) [306-028-525-102](#)
[307-072-526-202](#) [345-060-559-303](#) [392-008-559-201](#) [534671-1](#) [341-240-317](#) [345-044-500-300](#) [346-240-318](#) [395-100-524-300](#) [09-07-2032](#)
[10035388-802LF](#) [10115859-011LF](#) [10122859-009LF](#) [10127905-B04B24BLF](#) [530555-1](#) [5-678046-1](#) [73726-0005](#) [66308-1](#) [1-1437275-6](#)
[PEC-07-02-T-S-A](#) [346-014-520-801](#) [307-048-502-202](#) [CE100F22-9-C](#) [CE100F26-7-C](#) [CE100F28-3-D](#) [CE156F18-9-C](#) [CE156F22-5-D](#)
[CE156F22-9-C](#) [CT100F22-2-D](#) [CT100F22-3-D](#) [CT100F24-2-D](#) [CT100F24-3-D](#) [CT100F24-6-C](#)