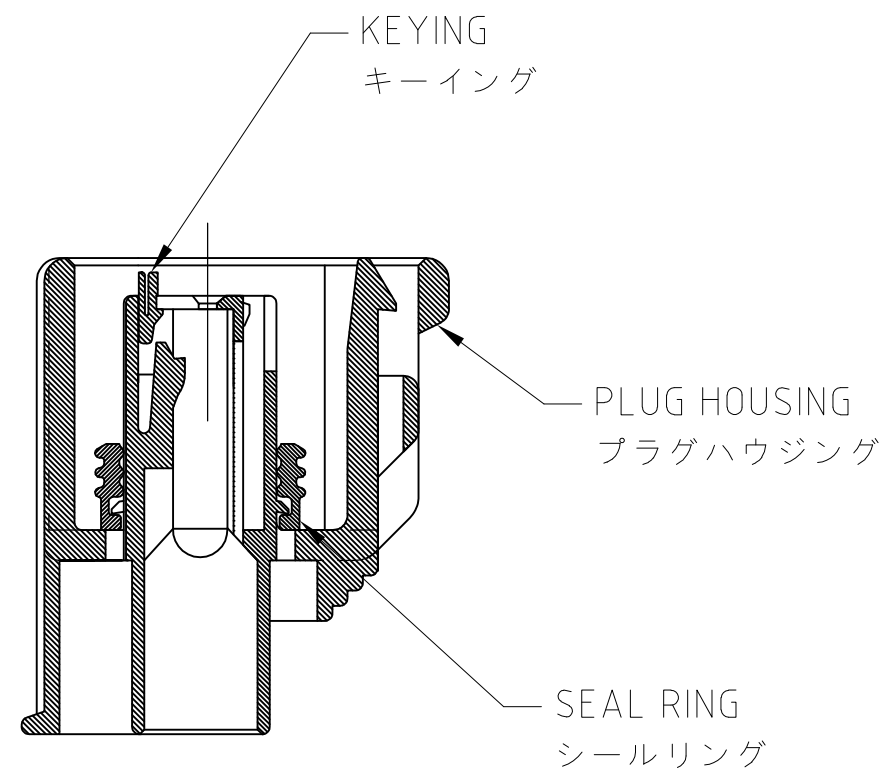
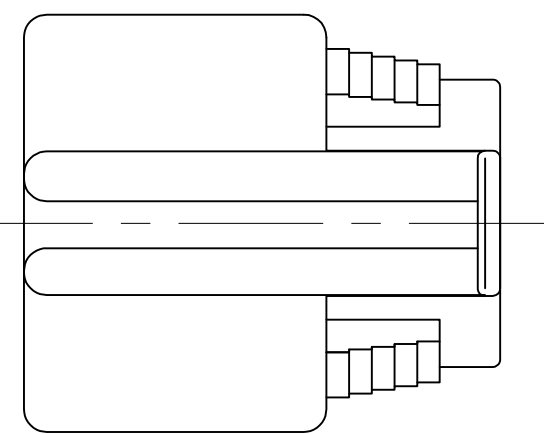
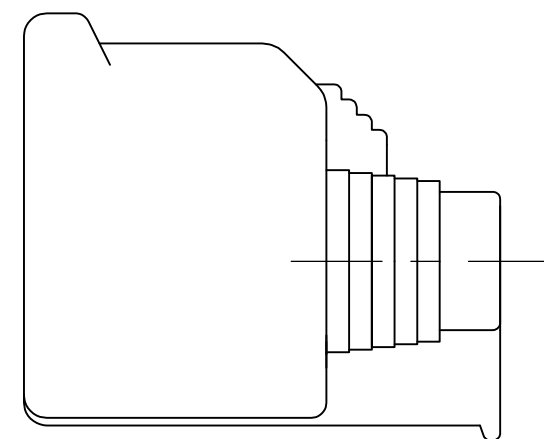
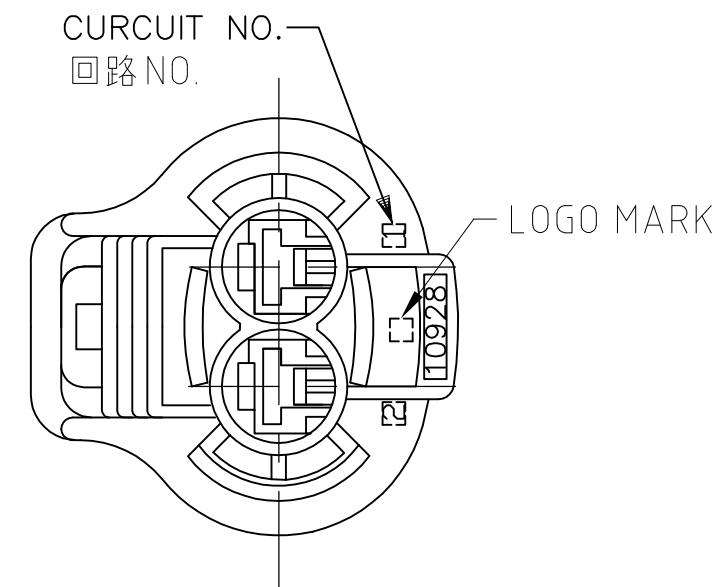
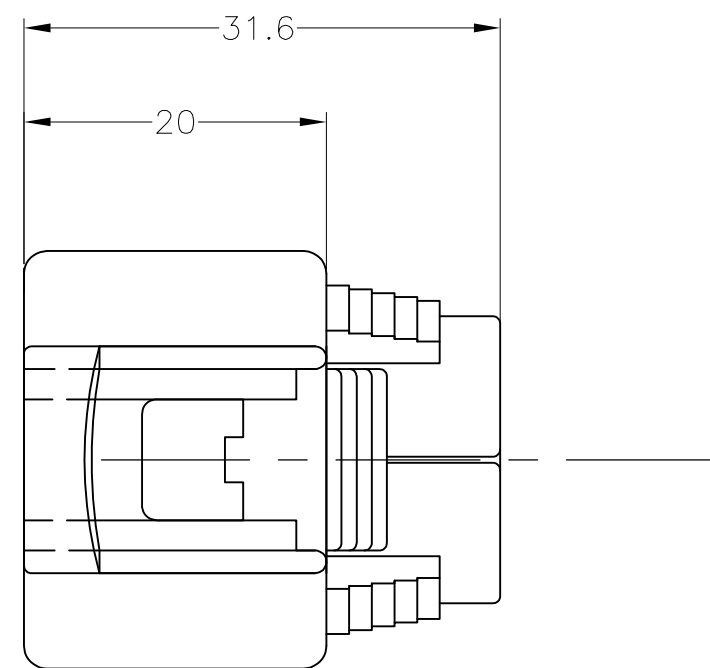
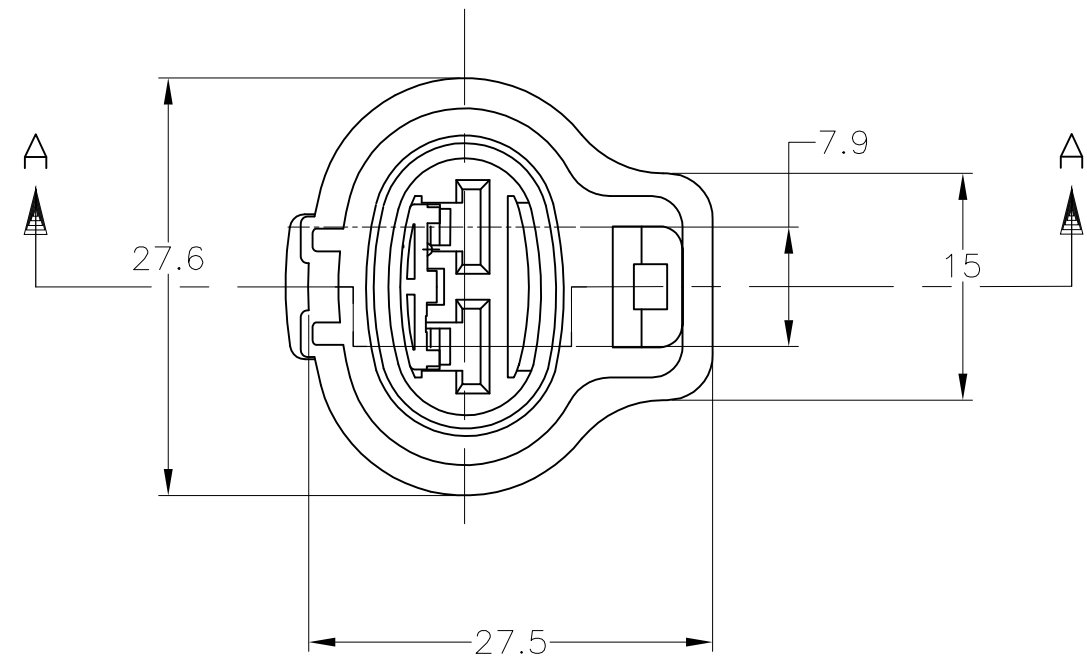


THIS DRAWING IS UNPUBLISHED. RELEASED FOR PUBLICATION
 © COPYRIGHT - By - ALL RIGHTS RESERVED.

LOC	DIST	REVISIONS					
		P	LTR	DESCRIPTION	DATE	DWN	APVD
J	-	F1		REVISED PER ECO-11-005301	07MAR11	RK	HMR



- MATING PART NO.; 176143
- THIS PRODUCT CONSISTS OF A PLUG HOUSING, A SEAL RING AND A KEYING
- PRODUCT SPECIFICATION; 108-5294
APPLICATION SPECIFICATION; 114-5126
CUSTOMER MANUAL; 412-5488
- APPLIED CONTACTS

RECEPTACLE CONTACT P/N	WIRE RANGE (mm ²)	INSULATION DIA
175090	0.5~1.25	φ2.0~φ2.6
175091	2~3	φ2.9~φ3.8

- 嵌合相手品番; 176143
- 本製品はプラグハウジングとキーイング、シールリングから構成されている。
- 製品規格; 108-5294
圧着規格; 114-5126
取扱説明書; 412-5488
- 適用端子型番

リセプタクルコンタクト P/N	ワイヤレンジ (mm ²)	被覆外径
175090	0.5~1.25	φ2.0~φ2.6
175091	2~3	φ2.9~φ3.8

黒 BLACK	淡灰 LIGHT GRAY	淡灰 LIGHT GRAY	6-176146-6
	濃灰 DARK GRAY	濃灰 DARK GRAY	176146-6
	黒 BLACK	黒 BLACK	176146-2
SEAL RING COLOR シールリング色	KEYING COLOR キーイング色	HOUSING COLOR ハウジング色	PARTS NO. 型番

A-A

WIRE RANGE SEE TABLE	THIS DRAWING IS A CONTROLLED DOCUMENT.		DWN Y.KINOSHITA 12NOV91														
INSULATION DIA SEE TABLE	DIMENSIONS: mm	TOLERANCES UNLESS OTHERWISE SPECIFIED	CHK Y.KINOSHITA 12NOV91														
TOLERANCE UNLESS OTHERWISE SPECIFIED: 一般公差 0 <= 10 : ±0.2 10 <= 30 : ±0.25 30 <= 100 : ±0.3 ANGLE : ±3°		<table border="1"> <tr><td>0 PLC</td><td>±</td></tr> <tr><td>1 PLC</td><td>±</td></tr> <tr><td>2 PLC</td><td>±</td></tr> <tr><td>3 PLC</td><td>±</td></tr> <tr><td>4 PLC</td><td>±</td></tr> <tr><td>ANGLES</td><td>±</td></tr> </table>	0 PLC	±	1 PLC	±	2 PLC	±	3 PLC	±	4 PLC	±	ANGLES	±	APVD S.ISOHATA 12NOV91	NAME 187 SERIES SEALED CONNECTOR 2POSITION PLUG HOUSING ASSY	
0 PLC	±																
1 PLC	±																
2 PLC	±																
3 PLC	±																
4 PLC	±																
ANGLES	±																
	MATERIAL PBT	FINISH SEE TABLE	PRODUCT SPEC 108-5294	SIZE A2	CAGE CODE 00779												
			APPLICATION SPEC 114-5126	DRAWING NO C=176146	RESTRICTED TO -												
			WEIGHT 8.0 g	SCALE 2:1	SHEET 1 of 1												
			CUSTOMER DRAWING	REV F1													

X-ON Electronics

Largest Supplier of Electrical and Electronic Components

Click to view similar products for [Automotive Connectors](#) category:

Click to view products by [TE Connectivity](#) manufacturer:

Other Similar products are found below :

[003-018-000](#) [60403001](#) [60993906-B](#) [M902-2131](#) [M902-2161](#) [M902-2344](#) [72.330.1035.1](#) [73.353.4028.0](#) [F119300-B](#) [F166900](#) [F258300-B](#)
[F358300-B](#) [F407400](#) [F444110](#) [F487000](#) [F509500B-B](#) [827153-1](#) [8N1515-32-24P](#) [9-1326729-8](#) [925474-1](#) [928905-1](#) [964562-4](#) [968782-1](#)
[GT17SA-8DS-HU](#) [98891-1012](#) [98947-1016](#) [12004147](#) [12004475-L](#) [12010290](#) [12010309-B](#) [12015454](#) [12020219-B](#) [12041318-B](#) [12052225-](#)
[L](#) [12052466](#) [12064869](#) [12004327-B](#) [12015308](#) [12015384](#) [12015909](#) [1-21030-1](#) [12041254](#) [12041318](#) [12047946-B](#) [12047957](#) [12047957-L](#)
[12059473](#) [12066261](#) [12110546](#) [12110546-B](#)