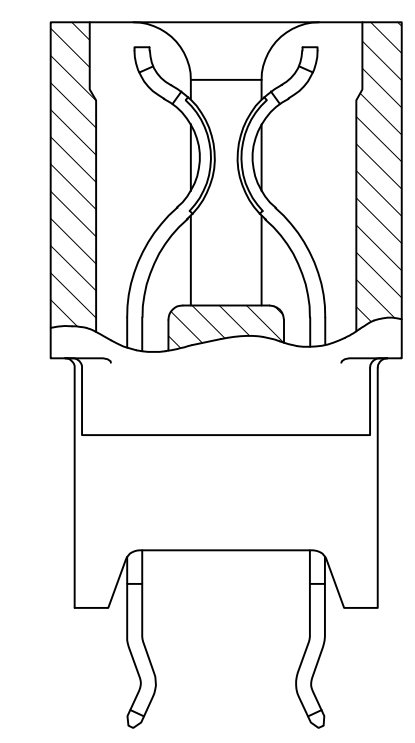
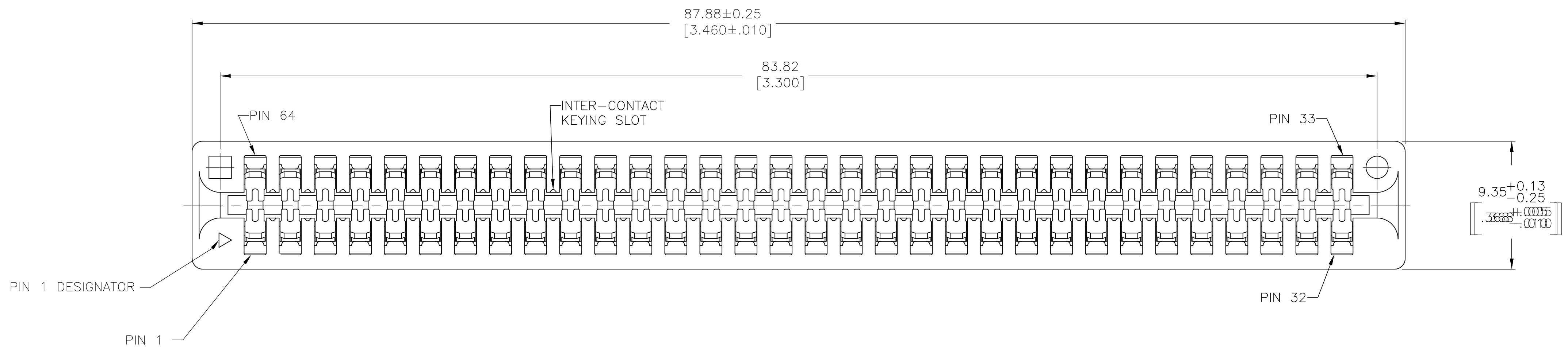
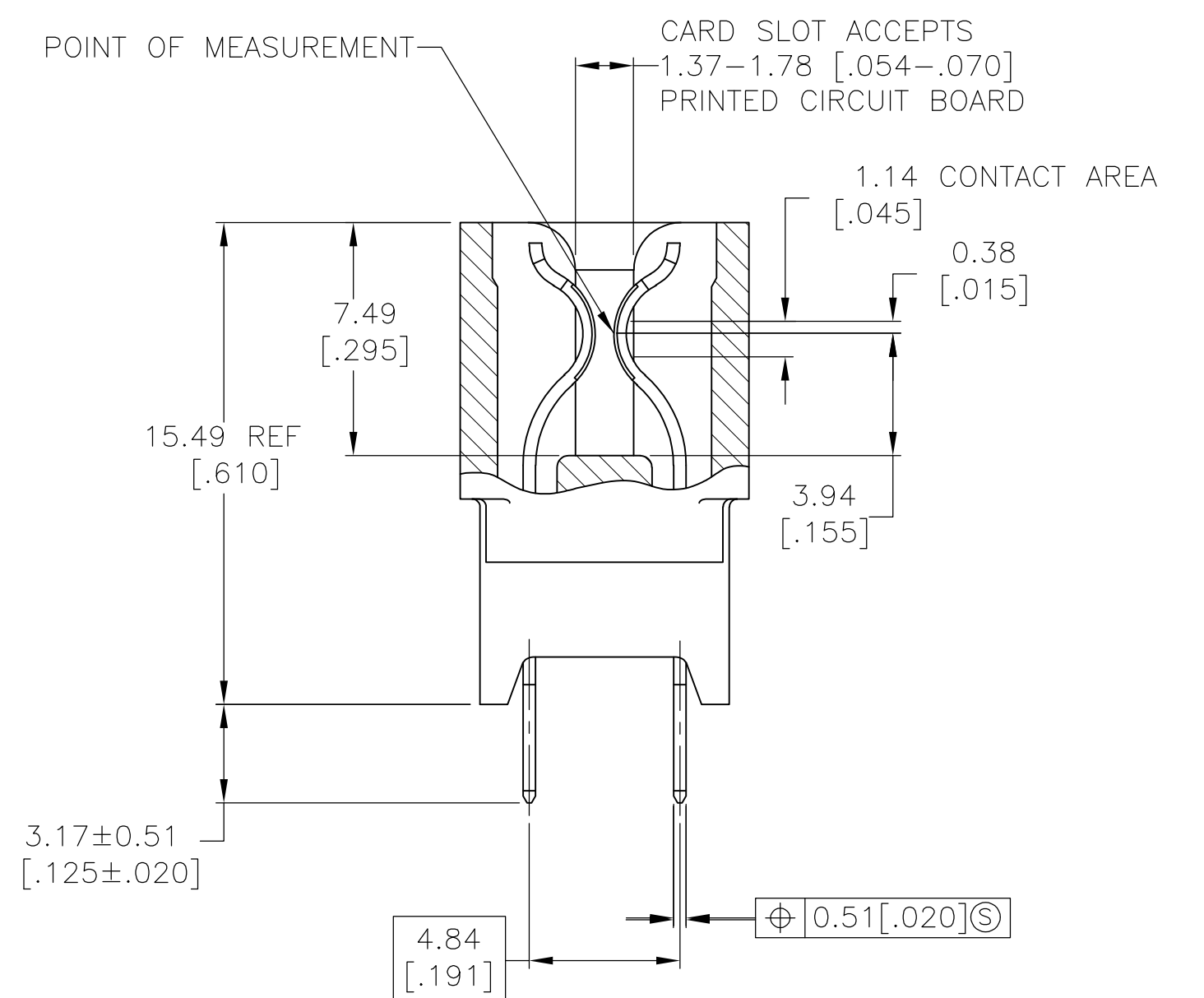
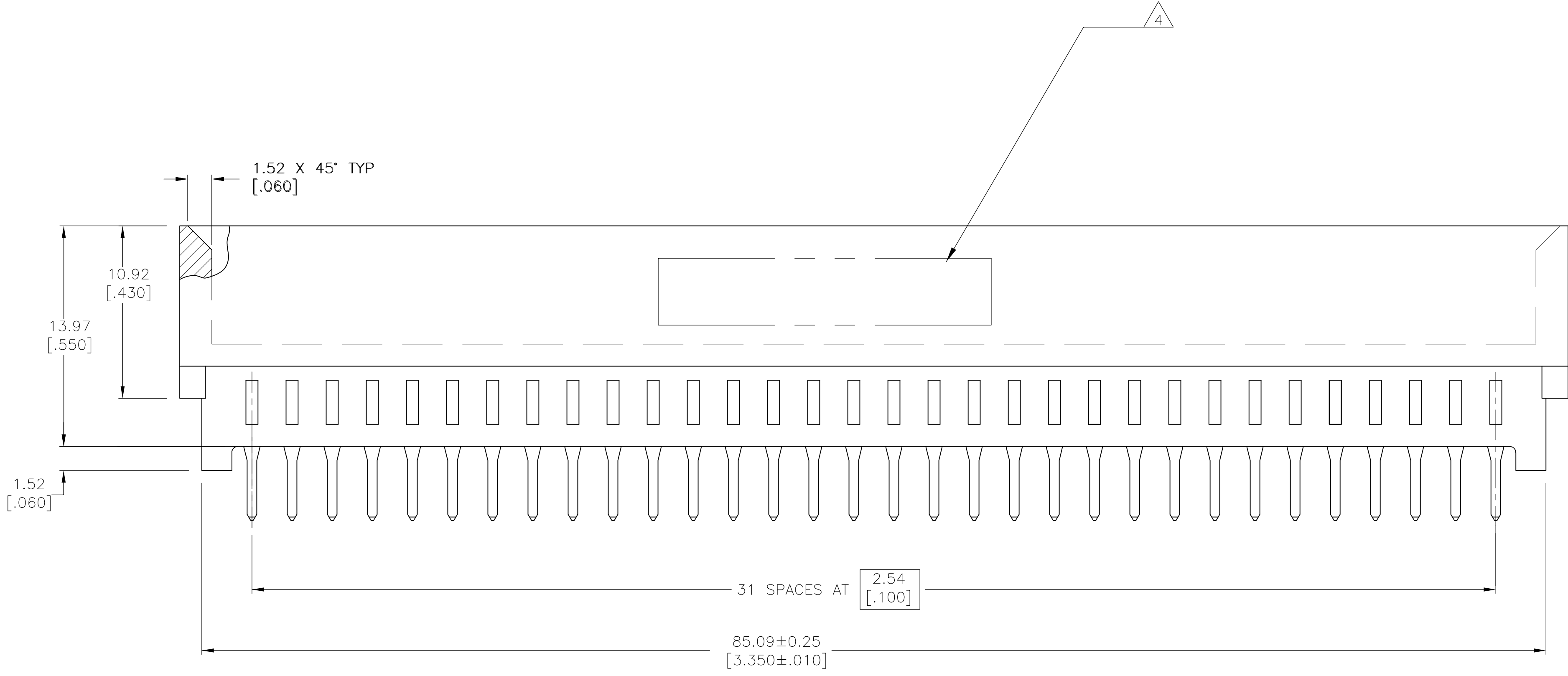


LOC		DIST		REVISIONS			
AA	00	REV	DATE	BY	CHK	APPV	
D2		CORRECT PCB LAYOUT	17JAN2012	AY		SZ	



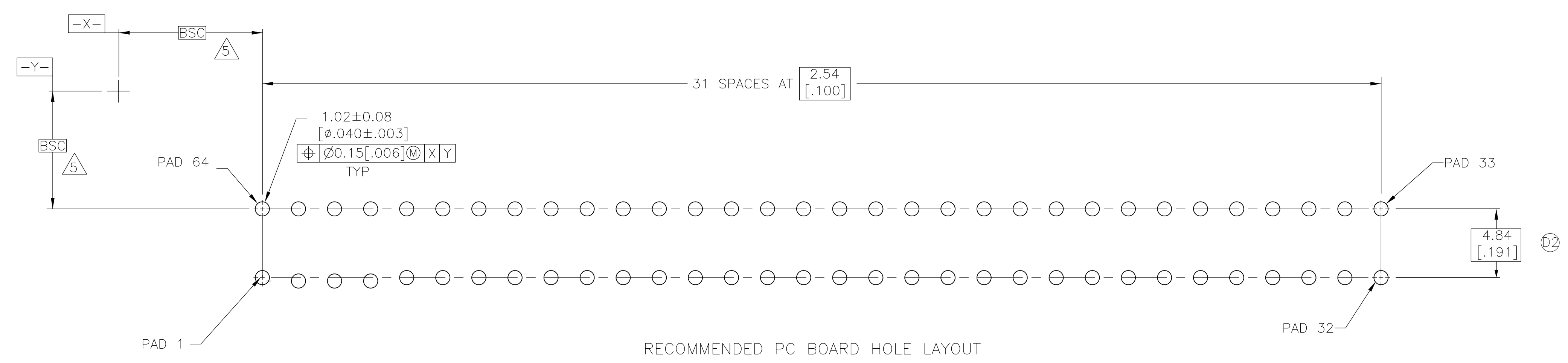
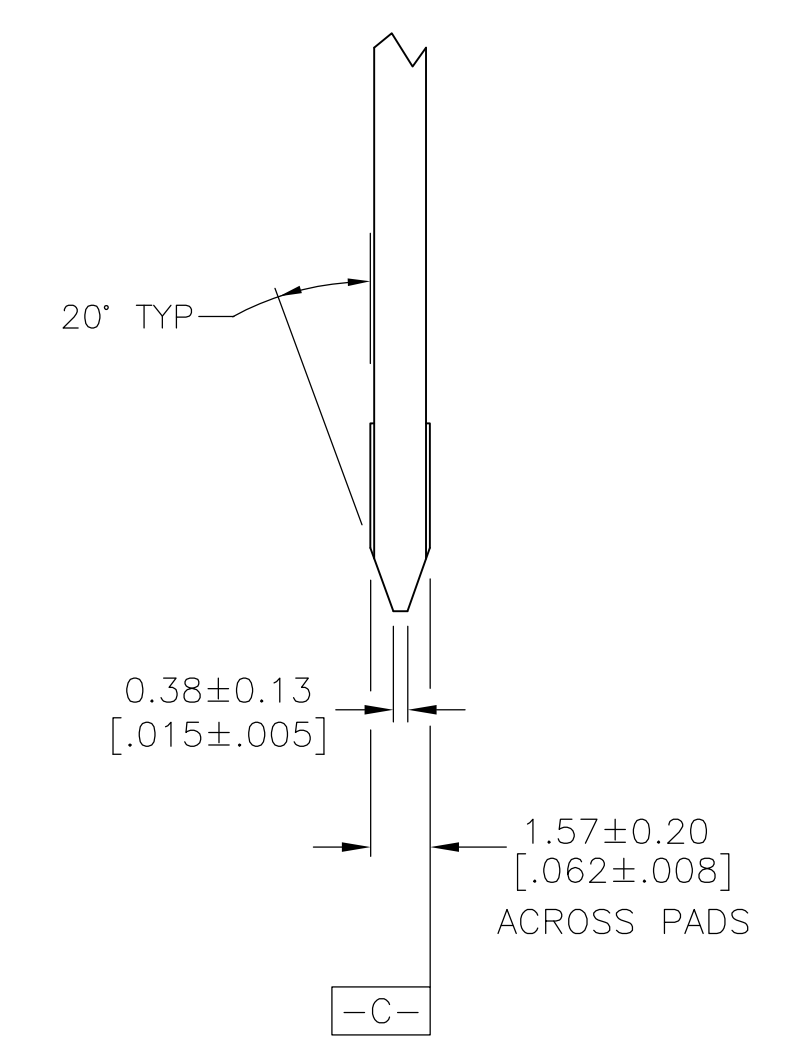
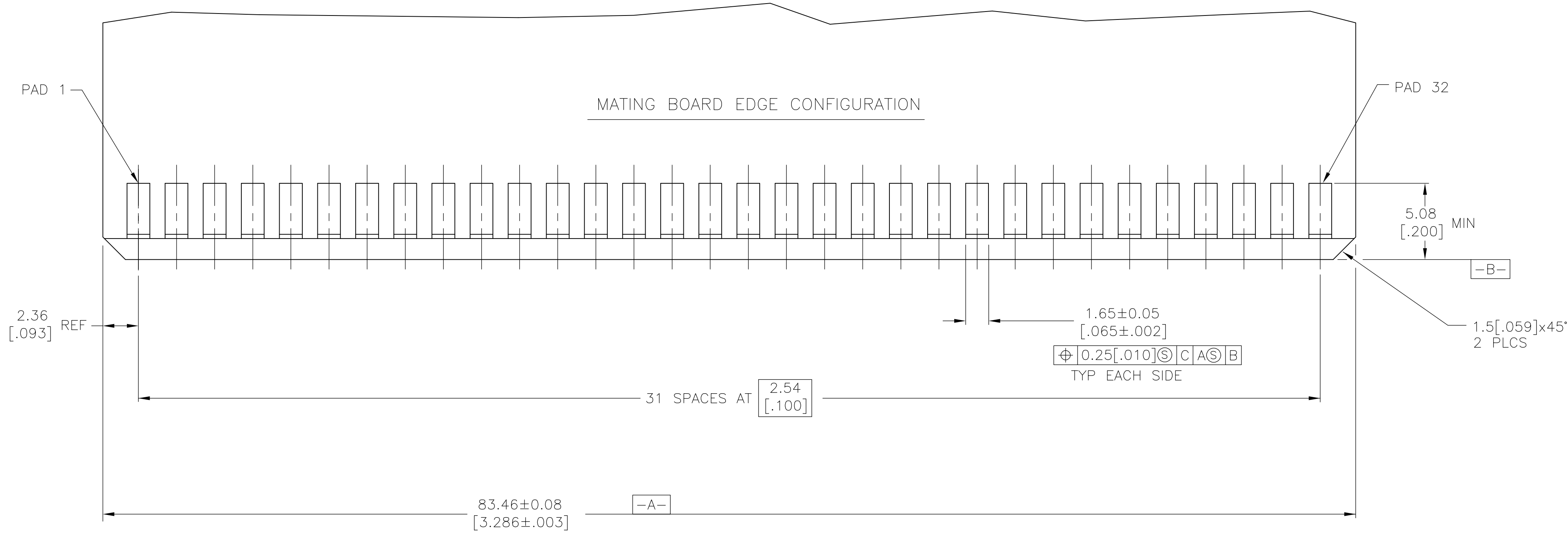
BOARD RETENTION FEATURE



- 1 HOUSING: GLASS FILLED POLYESTER, BLACK.
- 2 CONTACT: HIGH CONDUCTIVITY COPPER ALLOY. NICKEL PLATE: 0.00127 [.000050] MIN - ALL OVER. MATTE TIN PLATE: 0.00254 [.000100] MIN - SOLDER POSTS. GOLD PLATE: 0.00076 [.000030] MIN - CONTACT AREA.
- 3 NICKEL PLATE PER MIL-G-45204. GOLD PLATE PER QQ-N-290.
- 4 AMP PART NUMBER AND DATE CODE MAY BE MARKED IN APPROXIMATE AREA SHOWN, EITHER SIDE.
- 5 DATUMS PLUS BASIC DIMENSIONS ESTABLISHED BY CUSTOMER.

2,3,30,31,34,35,62,63	1761469-1
RETENTION LOCATION	PART NUMBER

THIS DRAWING IS A CONTROLLED DOCUMENT.		DWG: R. GRZYBOWSKI 21SEPT04	STE TE Connectivity
DIMENSIONS: mm [INCHES]		CHK: A. FRANTUM 21SEPT04	
TOLERANCES UNLESS OTHERWISE SPECIFIED:		APVD: A. FRANTUM 21SEPT04	NAME: CONNECTOR ASSEMBLY, STANDARD EDGE II, HIGH CURRENT DUAL POSITION, 2.54 [.100] CENTERLINE
0. PLC ± -		PRODUCT SPEC: 108-2148	
1. PLC ± -		APPLICATION SPEC: 114-13018	SIZE: A1 CAGE CODE: 00779 DRAWING NO: 1761469
2. PLC ± .13[.005]		RESTRICTED TO: CUSTOMER DRAWING	
3. PLC ± -		SCALE: 5:1	SHEET 1 OF 2
4. PLC ± -		REV: D2	
ANGLES ± °			
MATERIAL: 1 2	FINISH: 2		



THIS DRAWING IS A CONTROLLED DOCUMENT.		DWN: R. GRZYBOWSKI 21SEPT04	TE Connectivity	
DIMENSIONS: mm [INCHES]		CHK: A. FRANTUM 21SEPT04	NAME: CONNECTOR ASSEMBLY, STANDARD EDGE II, HIGH CURRENT DUAL POSITION, 2.54 [.100] CENTERLINE	
TOLERANCES UNLESS OTHERWISE SPECIFIED:		APPD: A. FRANTUM 21SEPT04	PRODUCT SPEC: 108-2148	
0 PLC ± -		APPLICATION SPEC: 114-13018		
1 PLC ± -		SIZE: A1 00779 C=1761469		
2 PLC ± .13 [.005]		WEIGHT: -		
3 PLC ± -		MATERIAL: SEE SHEET 1		
4 PLC ± -		FINISH: SEE SHEET 1		
ANGLES ± °		CUSTOMER DRAWING		
		SCALE: 5:1 SHEET 2 OF 2 REV D2		

X-ON Electronics

Largest Supplier of Electrical and Electronic Components

Click to view similar products for [Standard Card Edge Connectors](#) category:

Click to view products by [TE Connectivity](#) manufacturer:

Other Similar products are found below :

[CR7E-30DB-3.96E\(72\)](#) [6364499-1](#) [6565204-6](#) [PKC-156](#) [1437274-4](#) [147889-1](#) [1489165-4](#) [EBT15622B2X](#) [1-582587-1](#) [284-0102-12100](#)
[286-0052-12101A](#) [306022901000000](#) [307-012-502-202](#) [307-056-520-300](#) [2129318-1](#) [245-062-520-350](#) [287-0032-12101](#) [306-028-525-102](#)
[307-072-526-202](#) [345-060-559-303](#) [392-008-559-201](#) [534671-1](#) [341-240-317](#) [345-044-500-300](#) [346-240-318](#) [395-100-524-300](#) [09-07-2032](#)
[10035388-802LF](#) [10115859-011LF](#) [10122859-009LF](#) [10127905-B04B24BLF](#) [530555-1](#) [5-678046-1](#) [73726-0005](#) [66308-1](#) [1-1437275-6](#)
[PEC-07-02-T-S-A](#) [346-014-520-801](#) [307-048-502-202](#) [CE100F22-9-C](#) [CE100F26-7-C](#) [CE100F28-3-D](#) [CE156F18-9-C](#) [CE156F22-5-D](#)
[CE156F22-9-C](#) [CT100F22-2-D](#) [CT100F22-3-D](#) [CT100F24-2-D](#) [CT100F24-3-D](#) [CT100F24-6-C](#)