

1 MATERIAL:  
 HOUSING - BLACK THERMOPLASTIC, PBT FLAMMABILITY RATING UL 94V-0  
 SHIELD -0.2 MM THICK BRASS - PLATED 1.98µm MIN THK. TIN OVER  
 1.27µm MIN THK NICKEL. ( EXCEPT 1761482-4 DOES NOT HAVE TIN)  
 FRONT DRAWN SHELL - CARBON STEEL - PLATED WITH 5.08µm MIN NICKEL  
 BOARD LOCKS - BRASS PLATED WITH 1.27µm MIN TIN OVER 1.27µm MIN NICKEL  
 CONTACTS - 0.254 MM THK. PHOSPHOR BRONZE - ENTIRE TERMINAL PLATED  
 WITH 2.54µm MIN NICKEL. MATING AREA PLATED WITH GOLD FLASH OVER  
 0.76µm MIN Pd-Ni .SOLDER TAILS WITH 1.98µm MIN TIN  
 INSERTS, THREADED - MILD STEEL  
 SCREW LOCKS - STAINLESS STEEL.

3 THE SCREW LOCKS ARE FOR USE WITH JACKSCREWS TO PROVIDE CABLE RETENTION.

4 RECOMMENDED TORQUE FOR SCREW LOCK IS 4 IN-LB. FOR PANEL MOUNTED VERSION (1761482-1 AND 1761482-4).  
 RECOMMENDED TORQUE FOR SCREW LOCK IS 2 IN-LB. FOR PANEL GROUND VERSION (1761482-2).

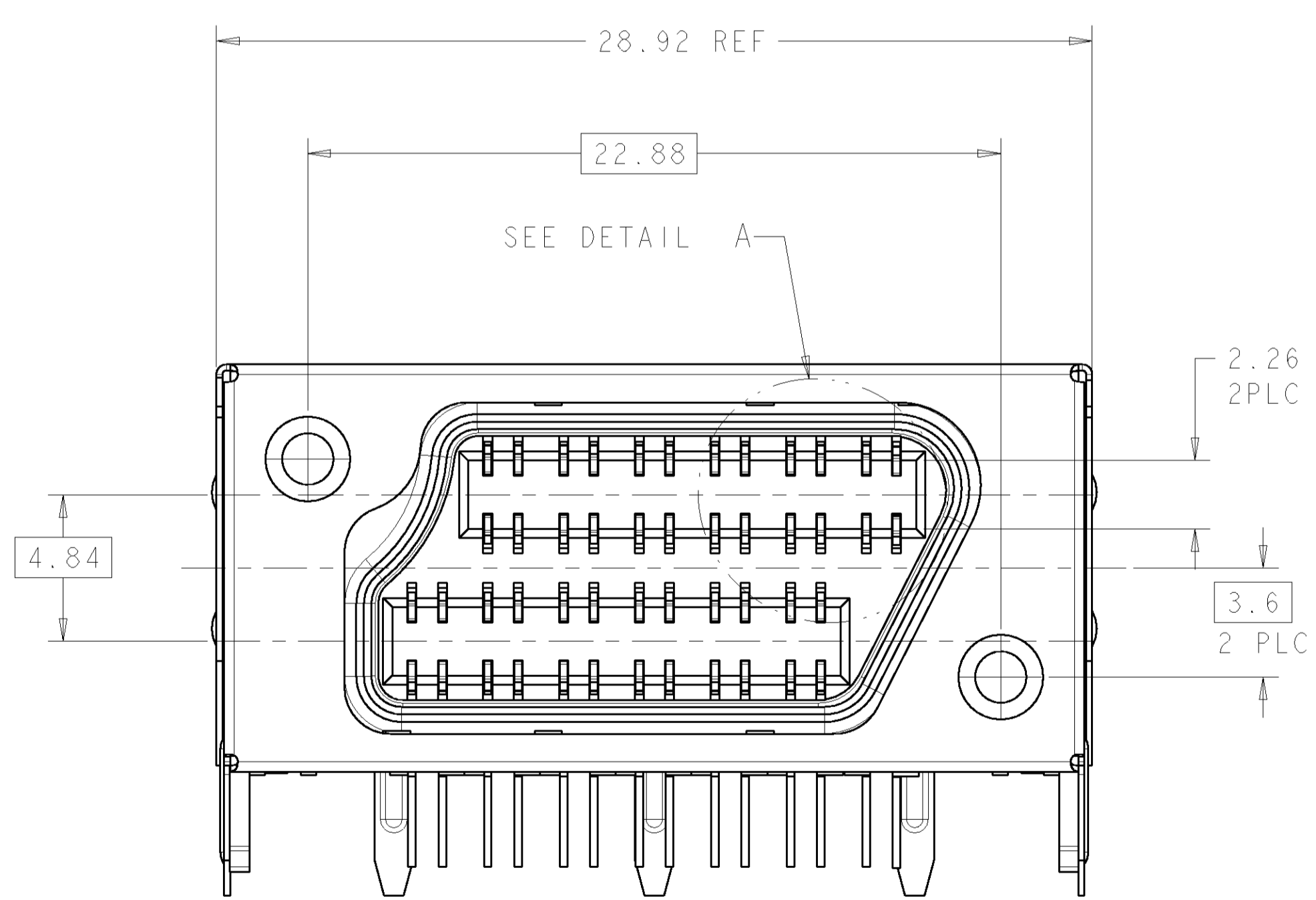
5 SCREW LOCK DESIGNATION:  
 SCREW LOCKS MUST BE ORDERED SEPARATELY FROM TABLE BELOW.

> 1mm - < 2mm	1339381-4	100
	1339381-2	960
0mm - < 1mm	1339381-3	100
	1339381-1	960
PANEL THICKNESS	SCREW LOCK P/N	PKG QTY

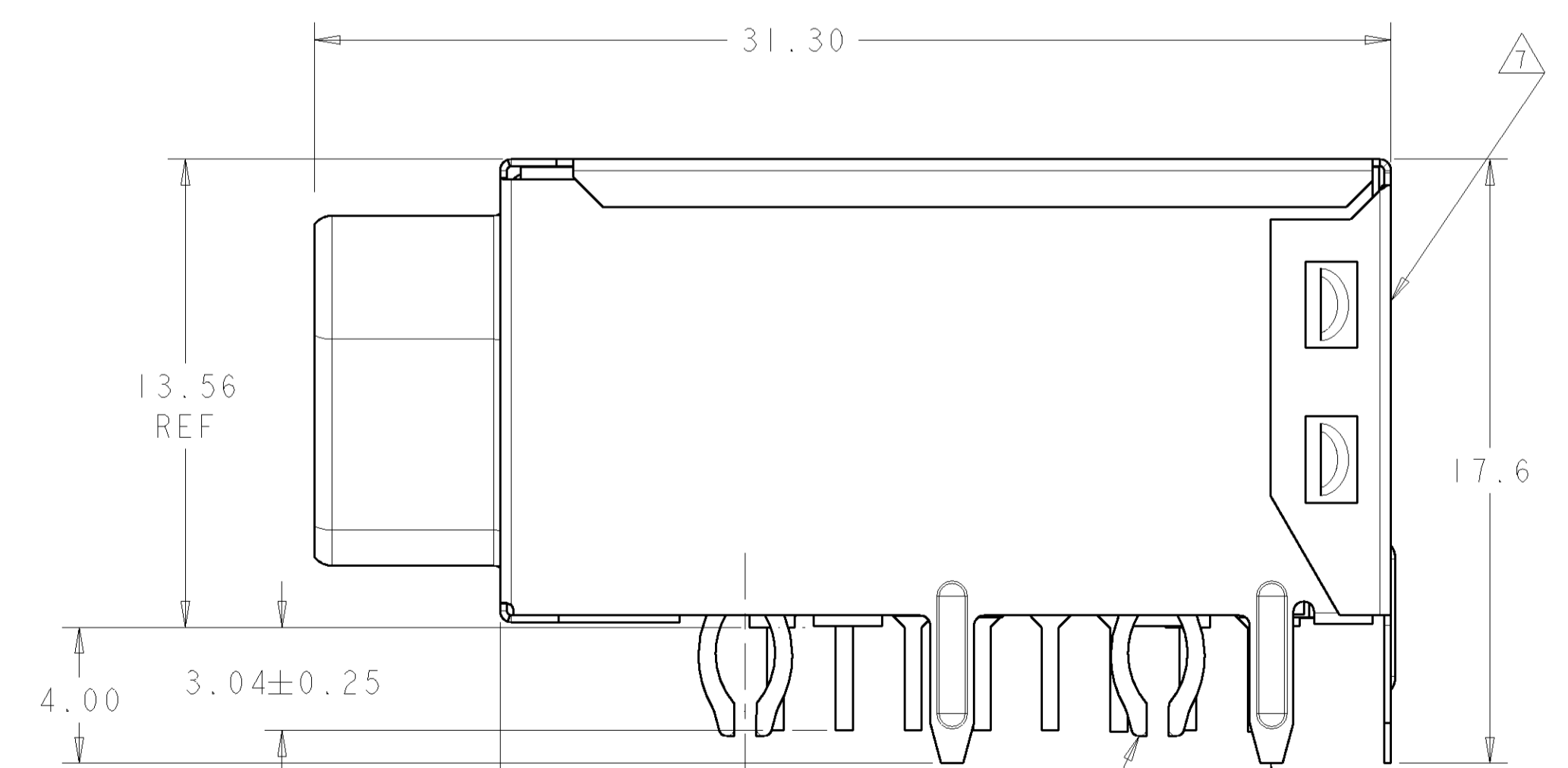
6 IF DIM "A" NEEDS TO BE INCREASED FOR STRUCTURAL PURPOSES, A CUT-OUT WILL BE REQUIRED ON THE PCB TO CLEAR BOTTOM PANEL GROUNDS.

7 DATE CODE AND PART NUMBER LABEL IN APPROXIMATE AREA SHOWN.

9 DATUM AND BASIC DIMENSIONS ESTABLISHED BY CUSTOMER



1761482-1 SHOWN

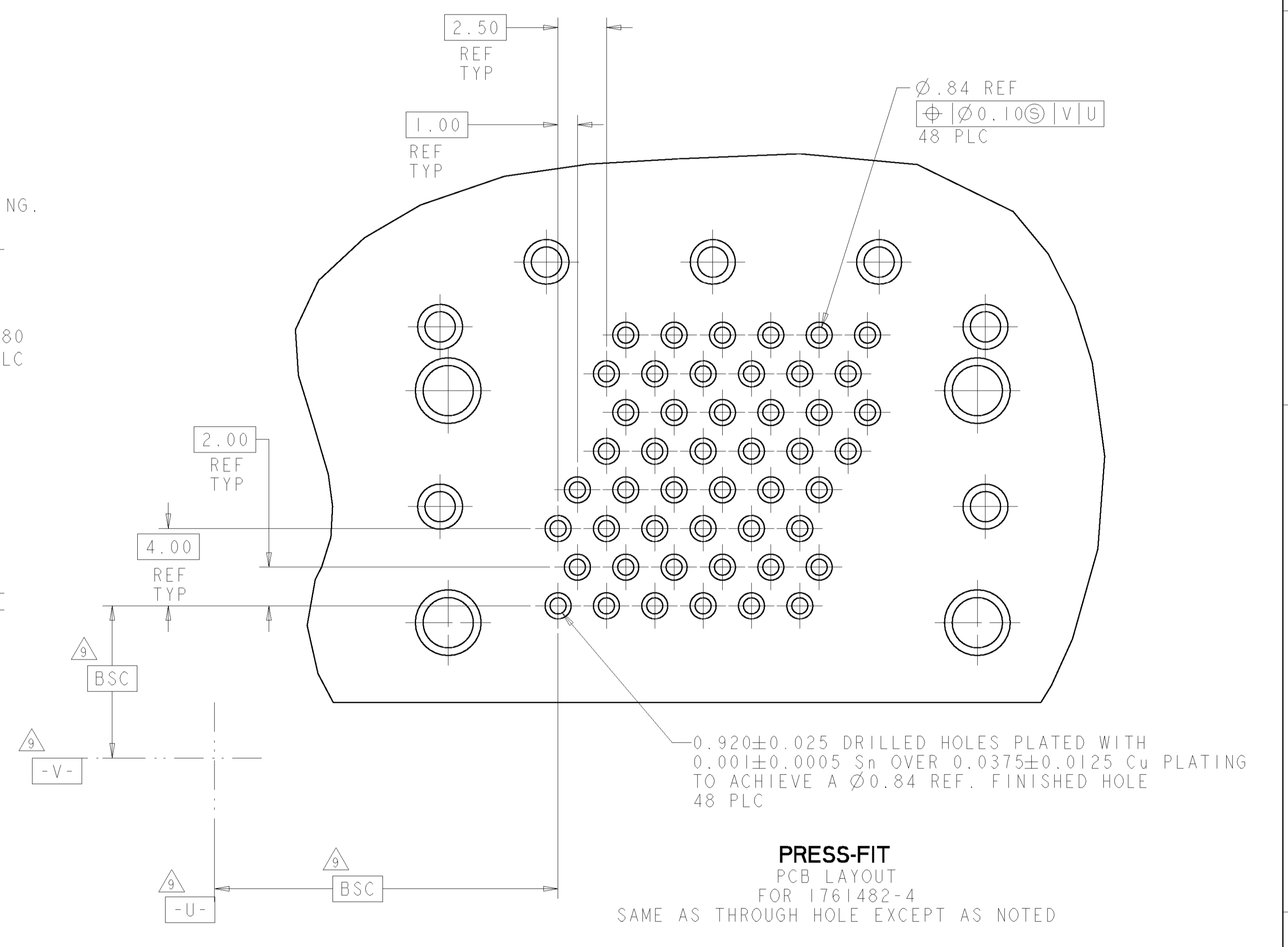
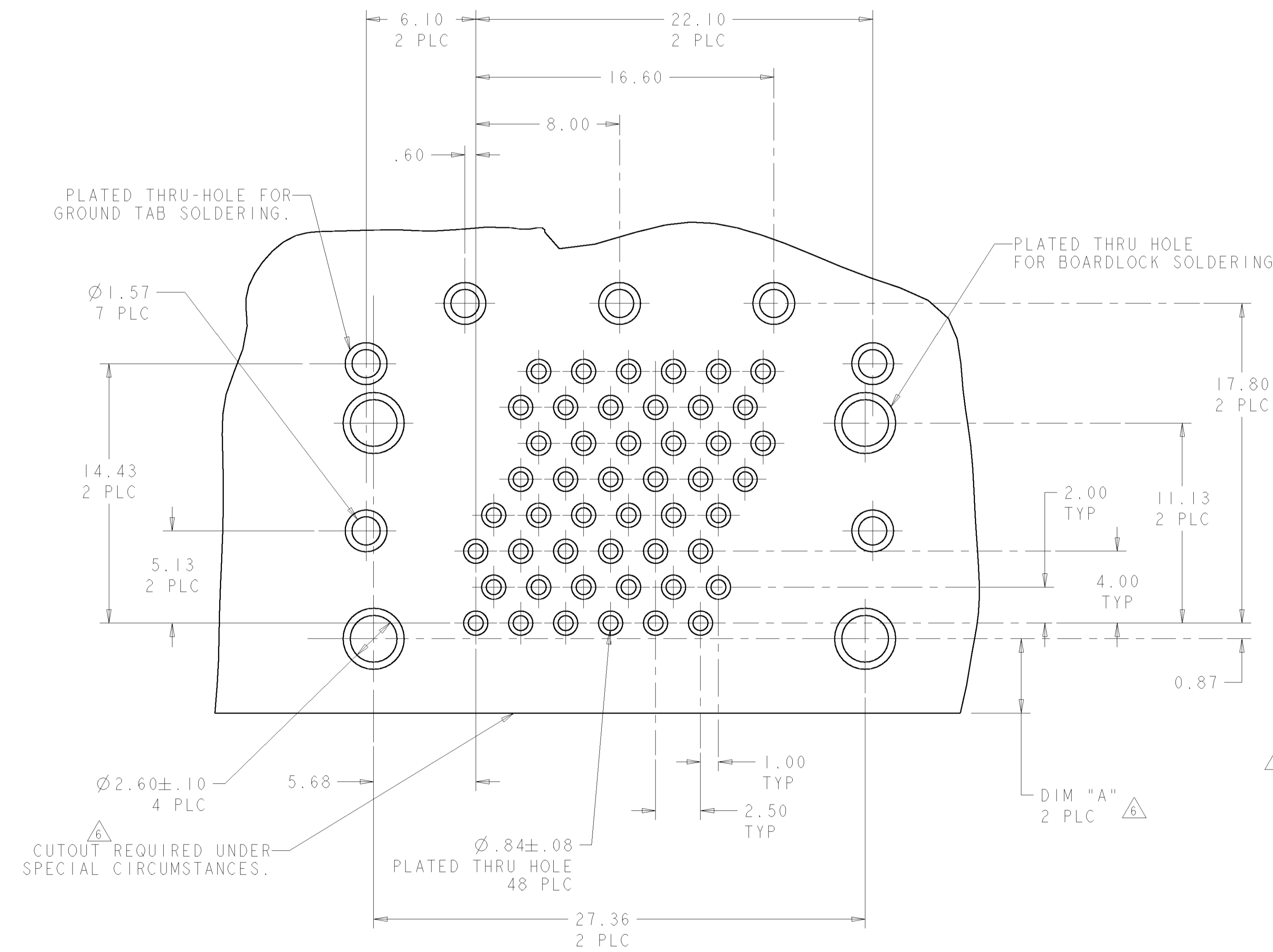


PRINTED CIRCUIT BOARD GROUND TABS

-	NO	1761482-4
2.8 6	YES	1761482-2
-	NO	1761482-1
DIM "A"	PANEL GROUND TABS	PART NUMBER

DIMENSIONS:		TOLERANCES UNLESS OTHERWISE SPECIFIED:		DWG: B. GRZYBOWSKI 14DEC2004		CHK: D. A. FAROLE 14DEC2004		APVD: D. A. FAROLE 14DEC2004		NAME: ASSEMBLY, RECEPTACLE, 48 POSITION, MRJ21	
mm	0 PLC ±0.13	1 PLC ±0.10	2 PLC ±0.10	3 PLC ±N/A	4 PLC ±N/A	5 PLC ±N/A	6 PLC ±N/A	7 PLC ±N/A	8 PLC ±N/A	9 PLC ±N/A	RESTRICTED TO
MATERIAL		FINISH		WEIGHT		SIZE		CAGE CODE		DRAWING NO	
						A1		00779		C=1761482	
CUSTOMER DRAWING				SCALE		SHEET		OF		REV	
				3:1		1		4		E1	

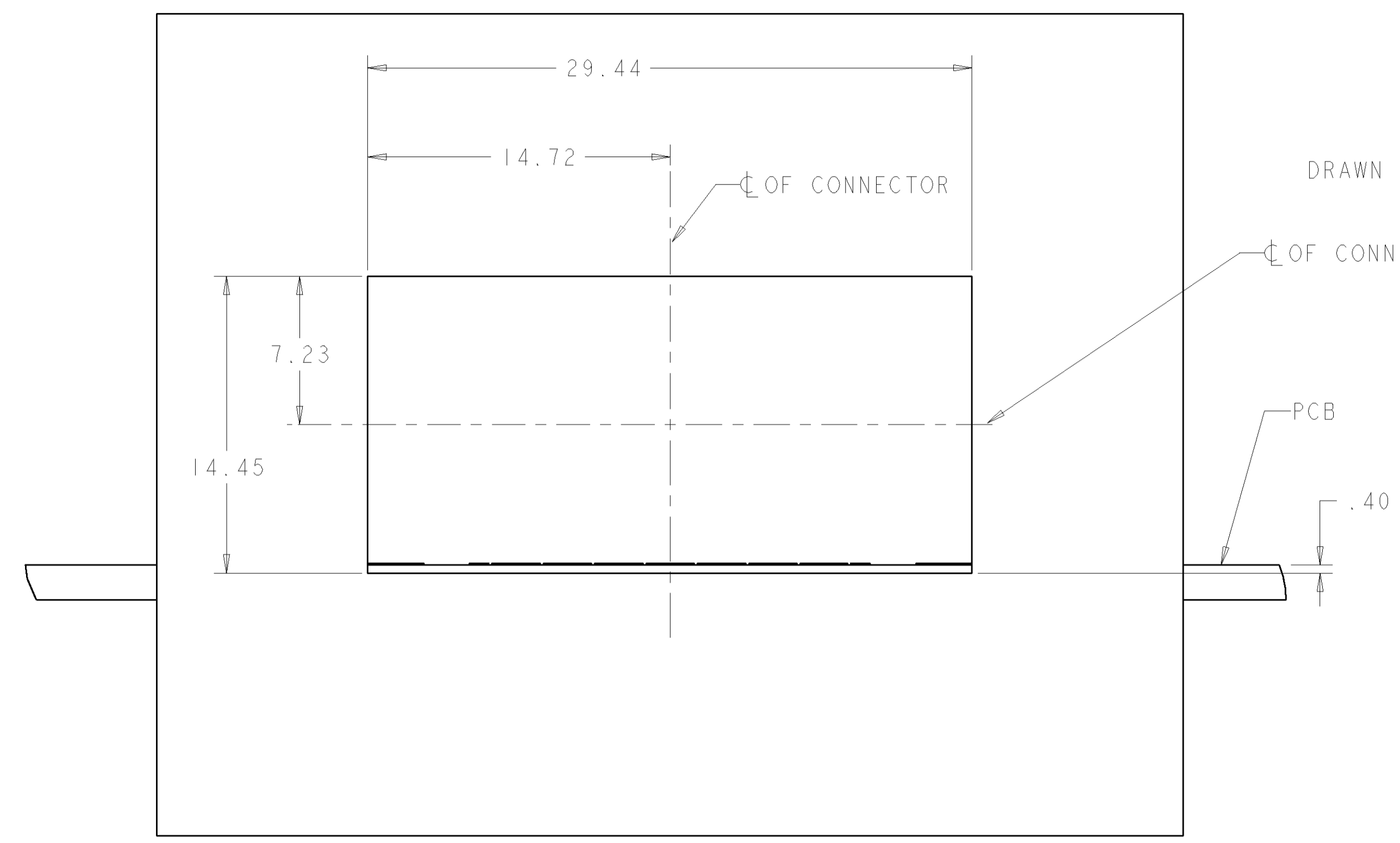




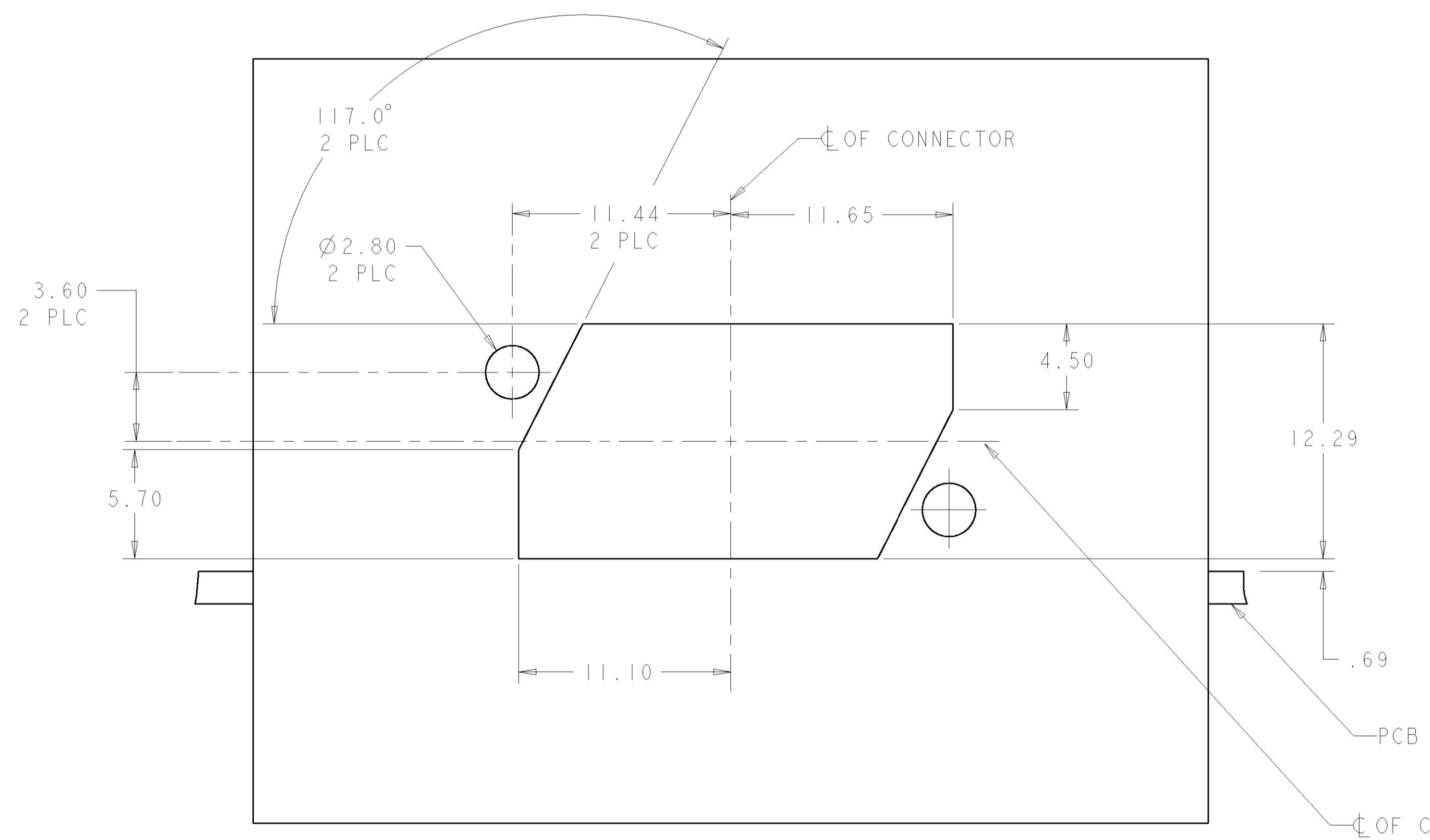
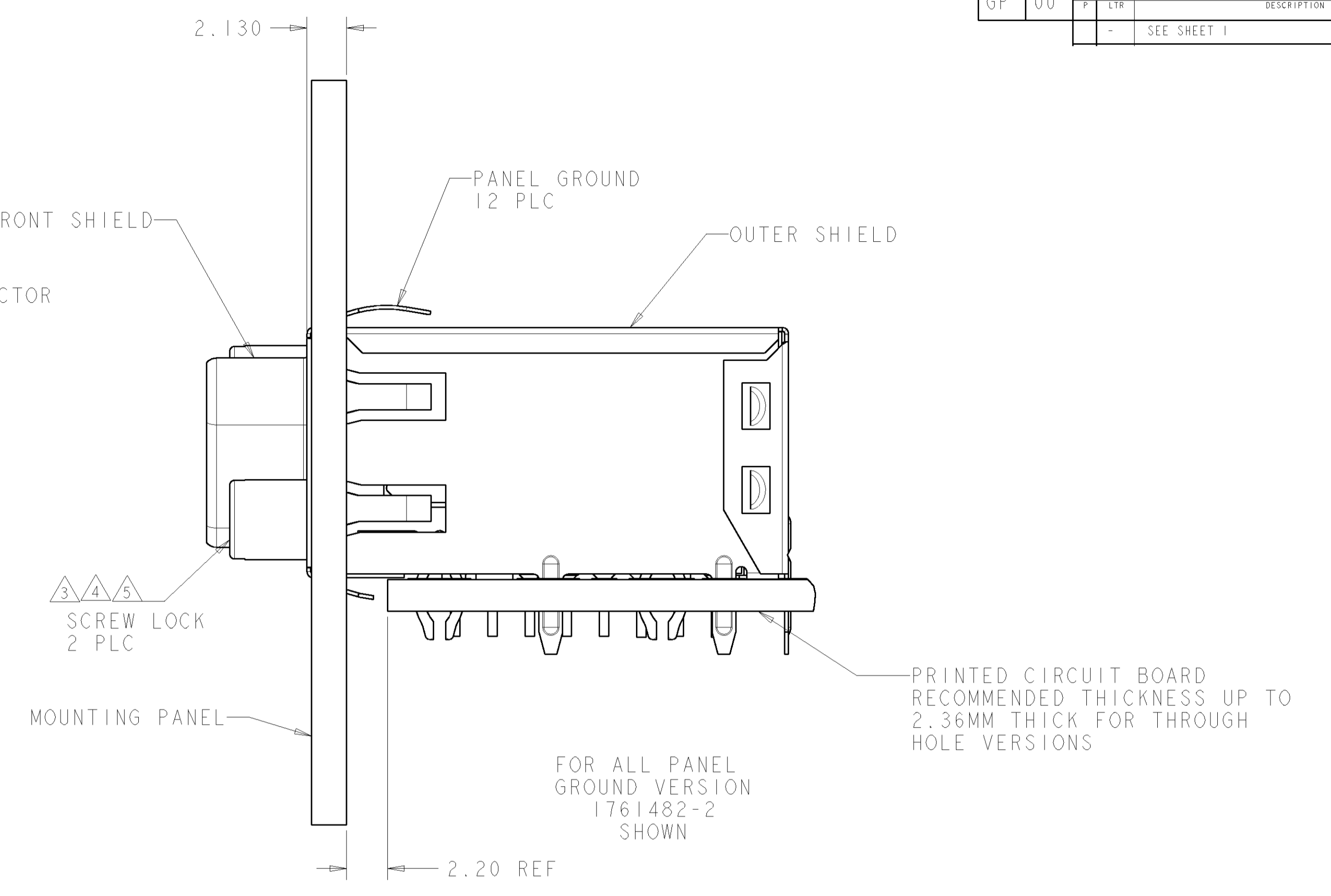
PCB LAYOUT  
FOR THROUGH HOLE  
COMPONENT SIDE

DIMENSIONS:		TOLERANCES UNLESS OTHERWISE SPECIFIED:		DWN B. GRZYBOWSKI CHK D. A. FAROLE APVD D. A. FAROLE		DATE 14DEC2004 14DEC2004		NAME ASSEMBLY, RECEPTACLE, 48 POSITION, MRJ21	
mm	0 PLC ± .13	1 PLC ± 0.10	2 PLC ± 0.10	3 PLC #N/A	4 PLC #N/A	ANGLES #N/A	FINISH #N/A	PRODUCT SPEC 108-2064	APPLICATION SPEC
MATERIAL	-			WEIGHT	-			SIZE A	CAGE CODE 00779
CUSTOMER DRAWING				DRAWING NO. 1761482		SCALE 3:1		SHEET 3 OF 4	
								REV E1	

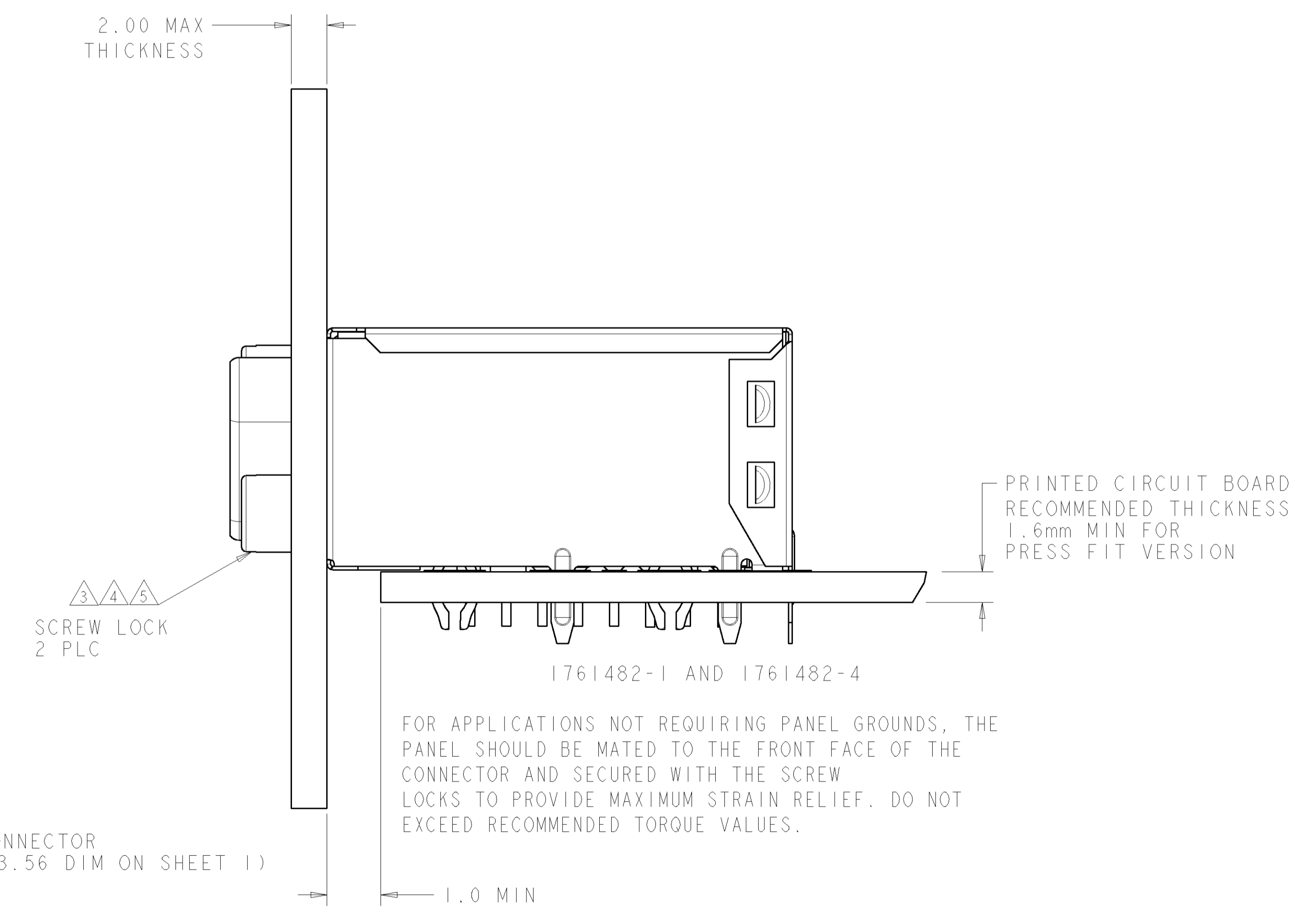




RECOMMENDED PANEL CUTOUT (WITH PANEL GROUNDS)  
SCALE 5:1



RECOMMENDED PANEL CUTOUT (NO PANEL GROUNDS)  
SCALE 5:1



DIMENSIONS:		TOLERANCES UNLESS OTHERWISE SPECIFIED:		DRN: B. GRZYBOWSKI 14DEC2004		CHK: D.A. FAROLE 14DEC2004		APVD: D.A. FAROLE 14DEC2004		NAME: ASSEMBLY, RECEPTACLE, 48 POSITION, MRJ21	
mm	0 PLC ±	1 PLC ±0.13	2 PLC ±0.10	3 PLC #N/A	4 PLC #N/A	ANGLES #N/A	FINISH #N/A	PRODUCT SPEC	108-2064	APPLICATION SPEC	SIZE: CAGE CODE DRAWING NO
MATERIAL	FINISH	WEIGHT	SCALE	3:1	SHEET	4	OF	4	REV	E1	
CUSTOMER DRAWING										RESTRICTED TO	

## X-ON Electronics

Largest Supplier of Electrical and Electronic Components

*Click to view similar products for [Modular Connectors / Ethernet Connectors](#) category:*

*Click to view products by [TE Connectivity](#) manufacturer:*

Other Similar products are found below :

[8949-H88/06BLKA/SN](#) [74441-0010/BKN](#) [MP1010RX-1000](#) [MP44RX-1000](#) [PHJ-4P4C-1-V-4](#) [PHP-6P6C-5](#) [GAX-3-66](#) [GAX-8-62](#) [GDCX-PA-66-50](#) [GDCX-PN-64](#) [GDCX-PN-66](#) [GDCX-PN-66-50](#) [GDLX-A-66](#) [GDLX-N-66](#) [GDLX-S-66](#) [GDLX-S-88K](#) [GDTX-S-88-50](#) [GDX-PA-1010](#) [GLX-N-1010M-BLK](#) [GLX-S-88M-BLK](#) [GMX-N-1010](#) [GMX-S-1010](#) [GMX-S-66](#) [GMX-SMT4-N-88](#) [GPX-2-64](#) [GSGX-N-2-88](#) [GSGX-N-4-88](#) [GSX-NS2-88-3.05](#) [GSX-NS2-88-3.05-50](#) [GSX-NS-88-3.05-50](#) [PT-108A-8C-UL](#) [PT-J951-8C](#) [PTS-J531-8CS-50UL](#) [1-1775629-2](#) [A-2014-0-4](#) [GWLX-S-88-GR](#) [GWLX-S9-88-YG](#) [DC-1021-8-WH-6](#) [1300530003](#) [1324640-4](#) [RJ11FTVC2G](#) [RJ11FTVC2N](#) [RJFTVX2SA1G](#) [132764-001](#) [1413235](#) [MP88X-1000](#) [MPS88RX-5000](#) [E5288-S000K3-L](#) [E5908-15A242-L](#) [155302-001](#)