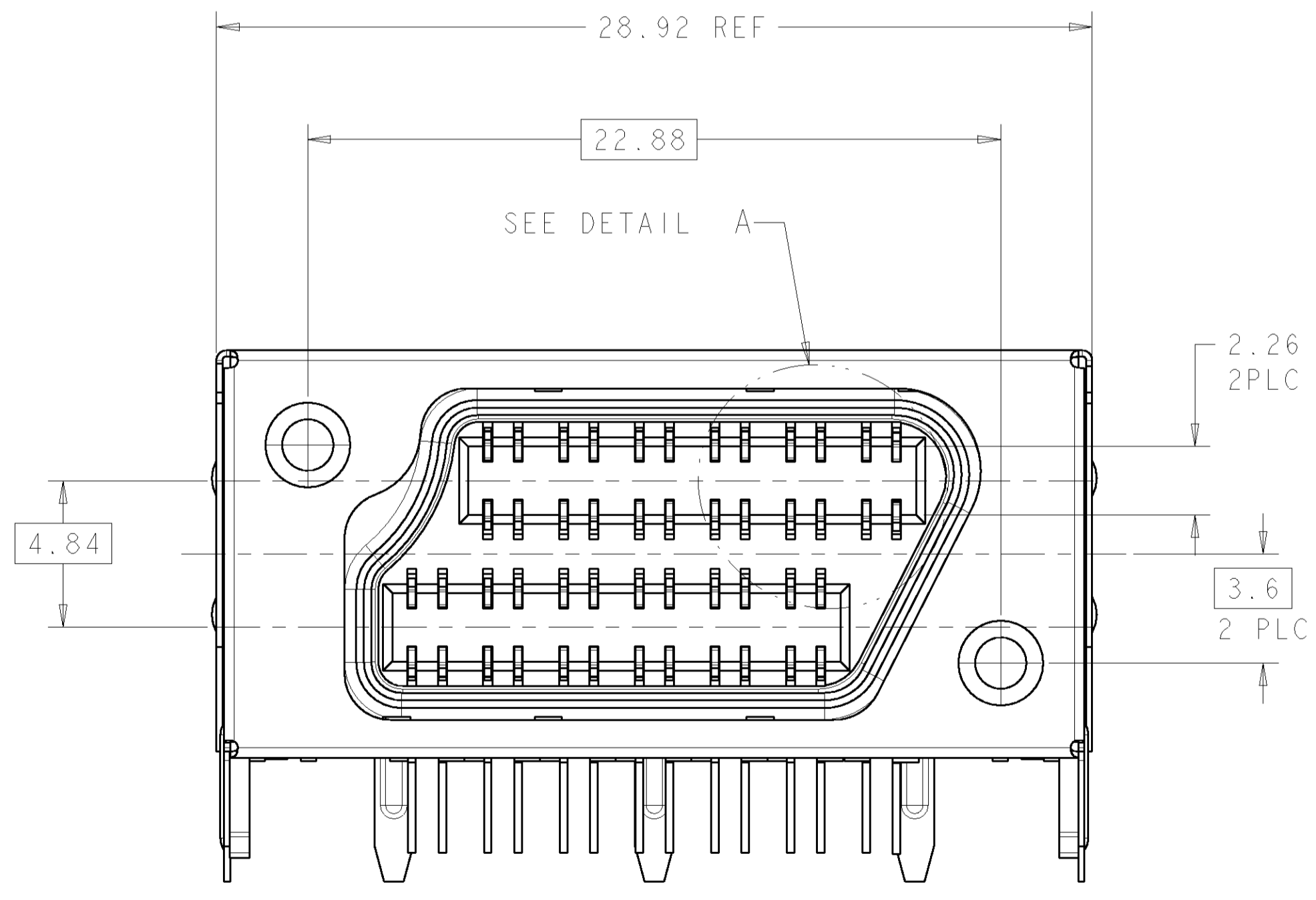


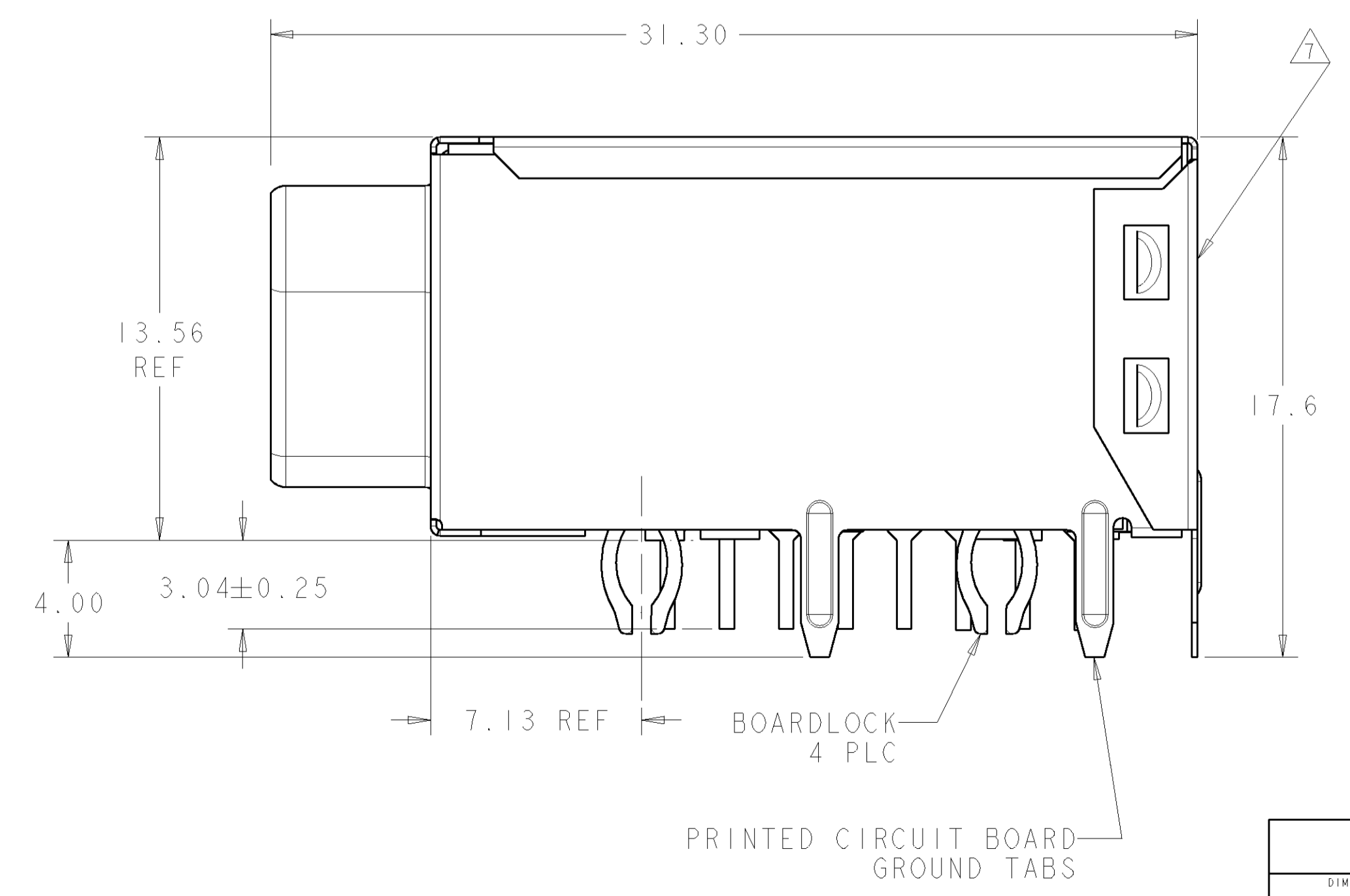
- 1 MATERIAL:
 HOUSING - BLACK THERMOPLASTIC, PBT FLAMMABILITY RATING UL 94V-0
 SHIELD -0.2 MM THICK BRASS - PLATED 1.98µm MIN THK. TIN OVER
 1.27µm MIN THK NICKEL. (EXCEPT 1761482-4 DOES NOT HAVE TIN)
 FRONT DRAWN SHELL - CARBON STEEL - PLATED WITH 5.08µm MIN NICKEL
 BOARD LOCKS - BRASS PLATED WITH 1.27µm MIN TIN OVER 1.27µm MIN NICKEL
 CONTACTS - 0.254 MM THK. PHOSPHOR BRONZE - ENTIRE TERMINAL PLATED
 WITH 2.54µm MIN NICKEL. MATING AREA PLATED WITH GOLD FLASH OVER
 0.76µm MIN Pd-Ni .SOLDER TAILS WITH 1.98µm MIN TIN
 INSERTS, THREADED - MILD STEEL
 SCREW LOCKS - STAINLESS STEEL.
- 3 THE SCREW LOCKS ARE FOR USE WITH JACKSCREWS TO PROVIDE CABLE RETENTION.
- 4 RECOMMENDED TORQUE FOR SCREW LOCK IS 4 IN-LB. FOR PANEL MOUNTED VERSION (1761482-1 AND 1761482-4).
 RECOMMENDED TORQUE FOR SCREW LOCK IS 2 IN-LB. FOR PANEL GROUND VERSION (1761482-2).
- 5 SCREW LOCK DESIGNATION:
 SCREW LOCKS MUST BE ORDERED SEPARATELY FROM TABLE BELOW.

> 1mm - < 2mm	1339381-4	100
	1339381-2	960
0mm - < 1mm	1339381-3	100
	1339381-1	960
PANEL THICKNESS	SCREW LOCK P/N	PKG QTY

- 6 IF DIM "A" NEEDS TO BE INCREASED FOR STRUCTURAL PURPOSES, A CUT-OUT WILL BE REQUIRED ON THE PCB TO CLEAR BOTTOM PANEL GROUNDS.
- 7 DATE CODE AND PART NUMBER LABEL IN APPROXIMATE AREA SHOWN.
- 9 DATUM AND BASIC DIMENSIONS ESTABLISHED BY CUSTOMER



1761482-1 SHOWN



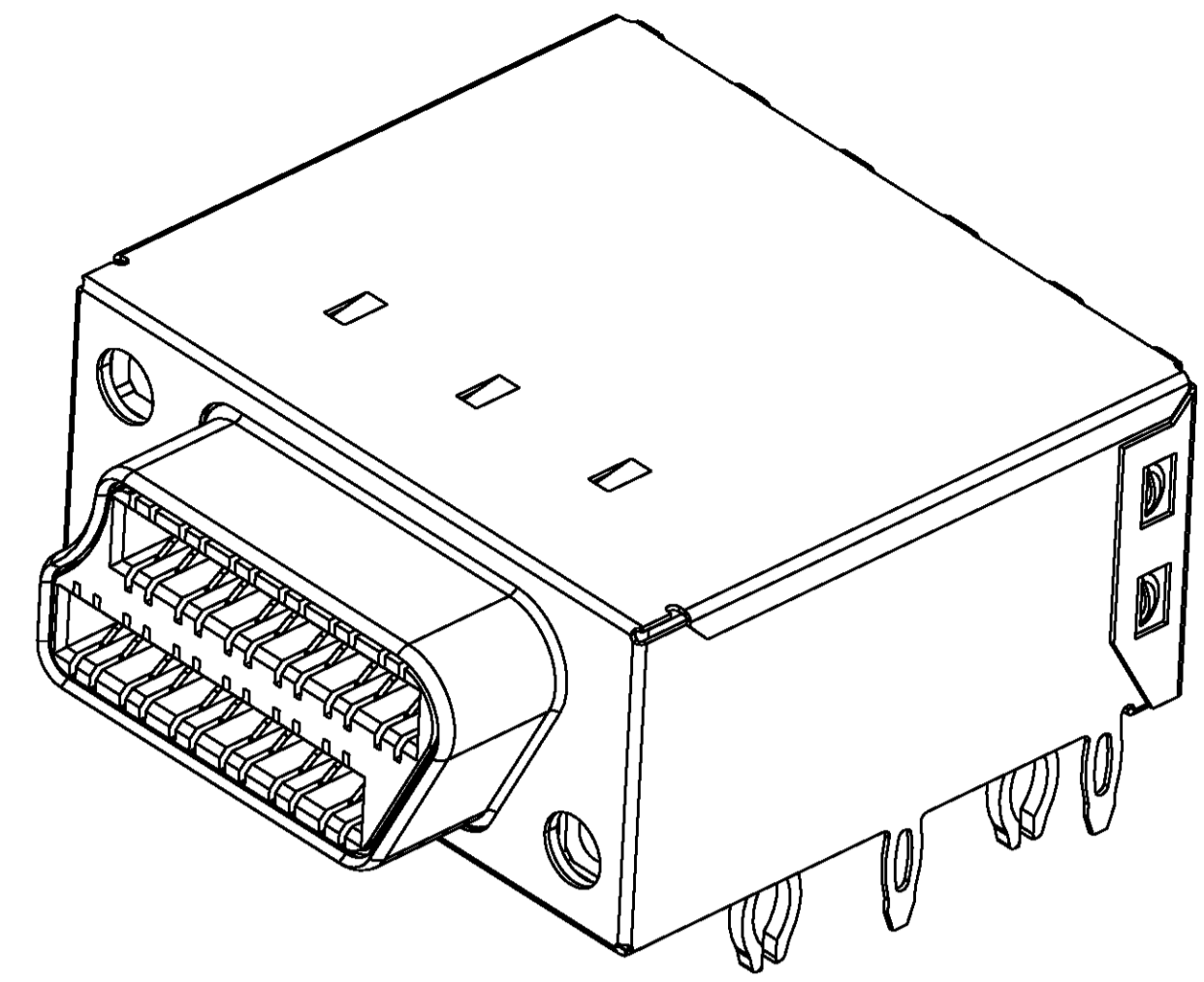
PRINTED CIRCUIT BOARD-GROUND TABS

-	NO	1761482-4
2.8 6	YES	1761482-2
-	NO	1761482-1
DIM "A"	PANEL GROUND TABS	PART NUMBER

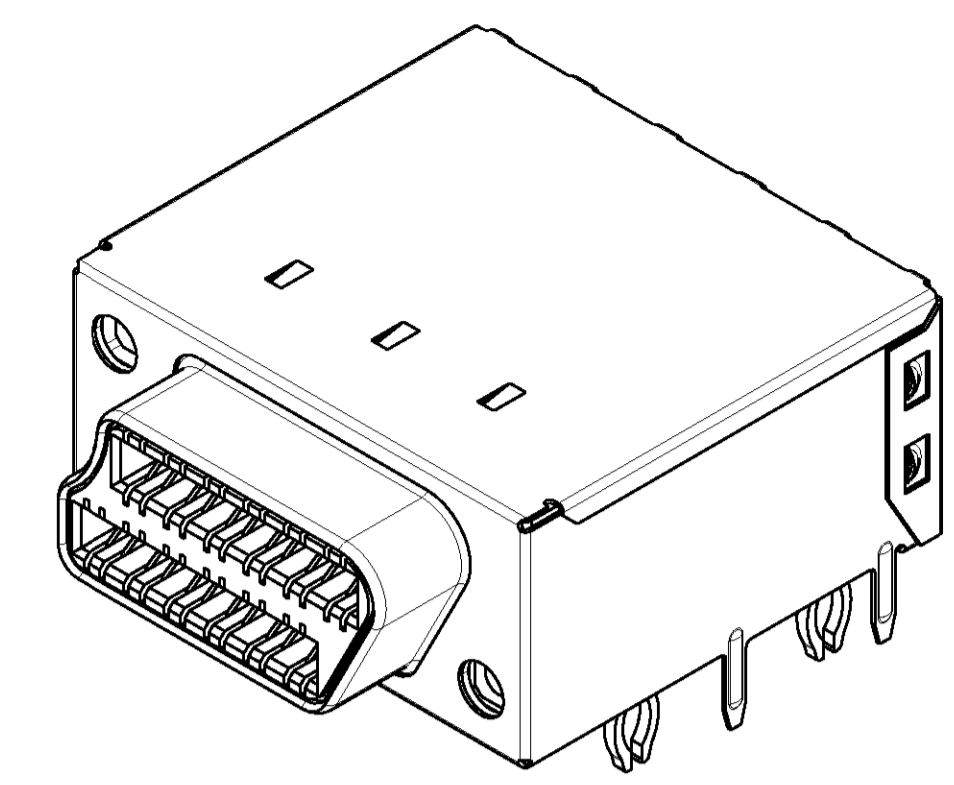
DIMENSIONS:		TOLERANCES UNLESS OTHERWISE SPECIFIED:		DWG: B. GRZYBOWSKI 14DEC2004		CHK: D. A. FAROLE 14DEC2004		APVD: D. A. FAROLE 14DEC2004		NAME: D. A. FAROLE	
mm	0 PLC ±0.13	1 PLC ±0.10	2 PLC ±0.10	3 PLC ±N/A	4 PLC ±N/A	5 PLC ±N/A	6 PLC ±N/A	7 PLC ±N/A	8 PLC ±N/A	9 PLC ±N/A	10 PLC ±N/A
MATERIAL		FINISH		WEIGHT		SIZE		CAGE CODE		DRAWING NO	
-		-		-		A1		00779		C=1761482	
CUSTOMER DRAWING				SCALE		SHEET		OF		REV	
-				3:1		1		4		E1	



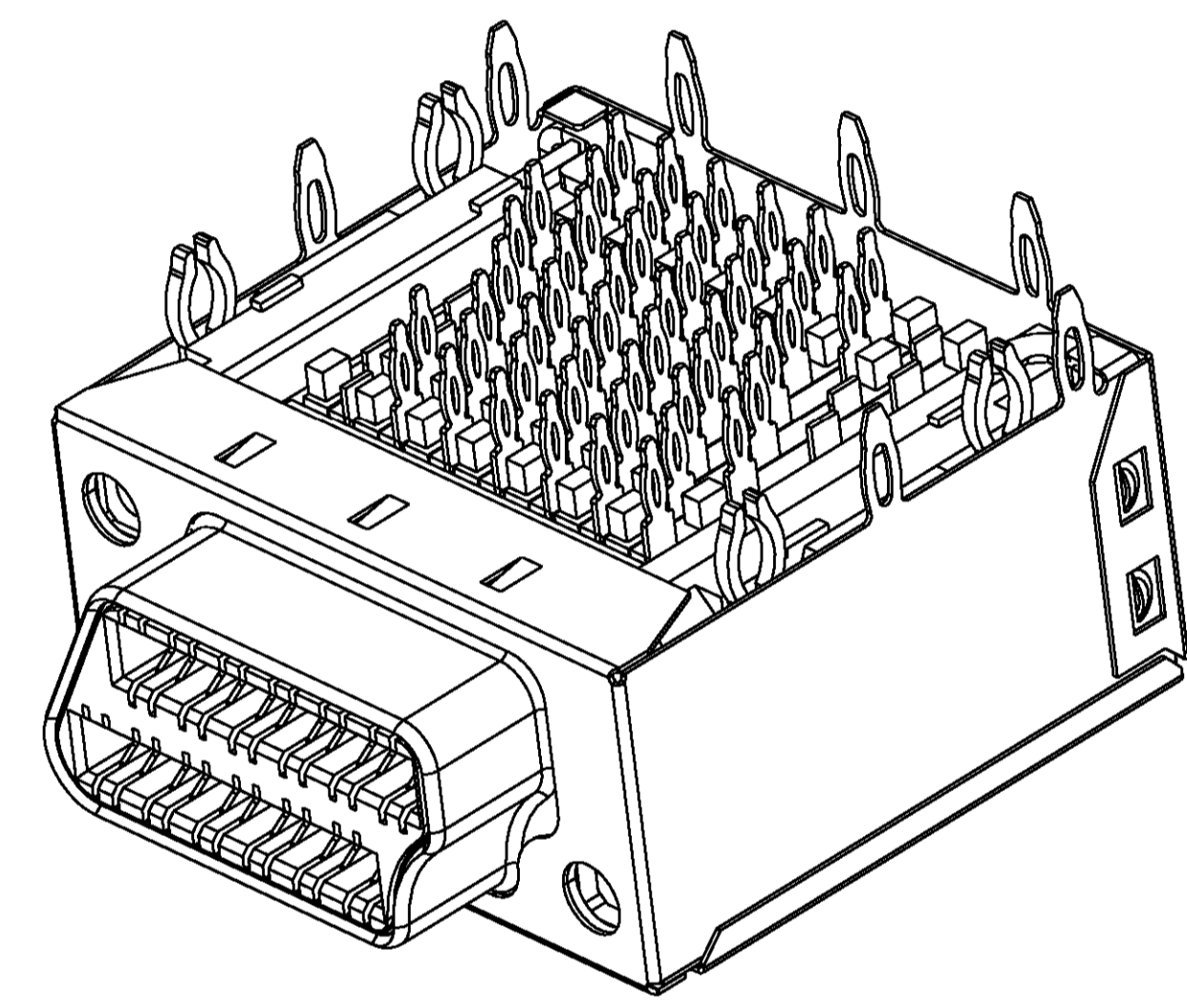
ASSEMBLY RECEPTACLE, 48 POSITION, MRJ21



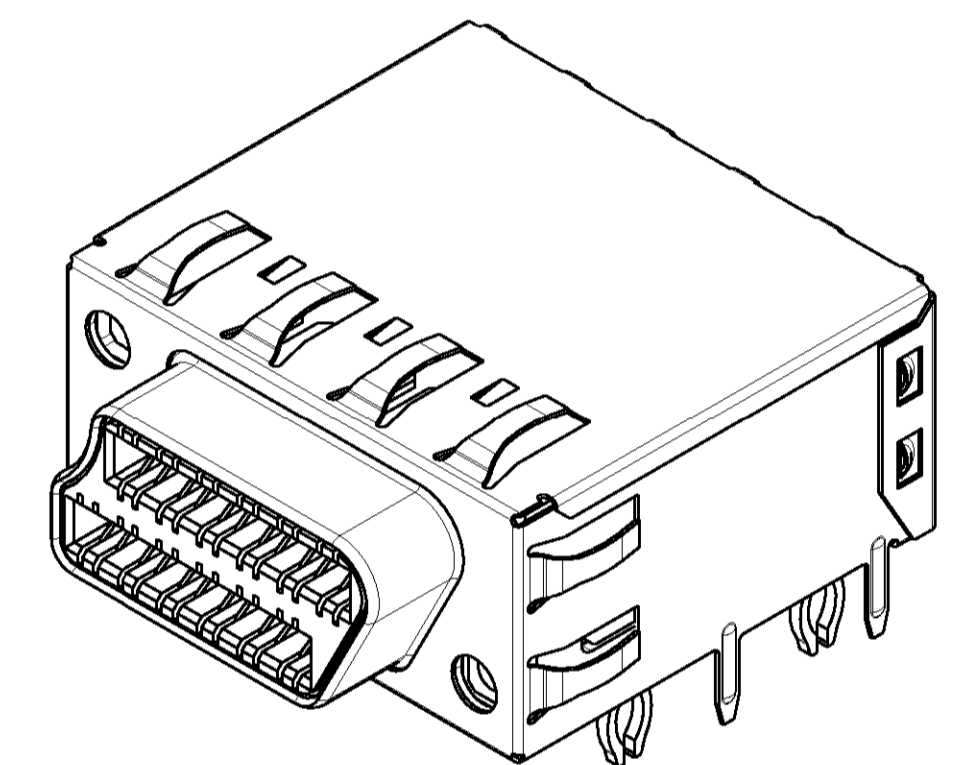
1761482-4 SHOWN
PRESS FIT
SCALE 4:1



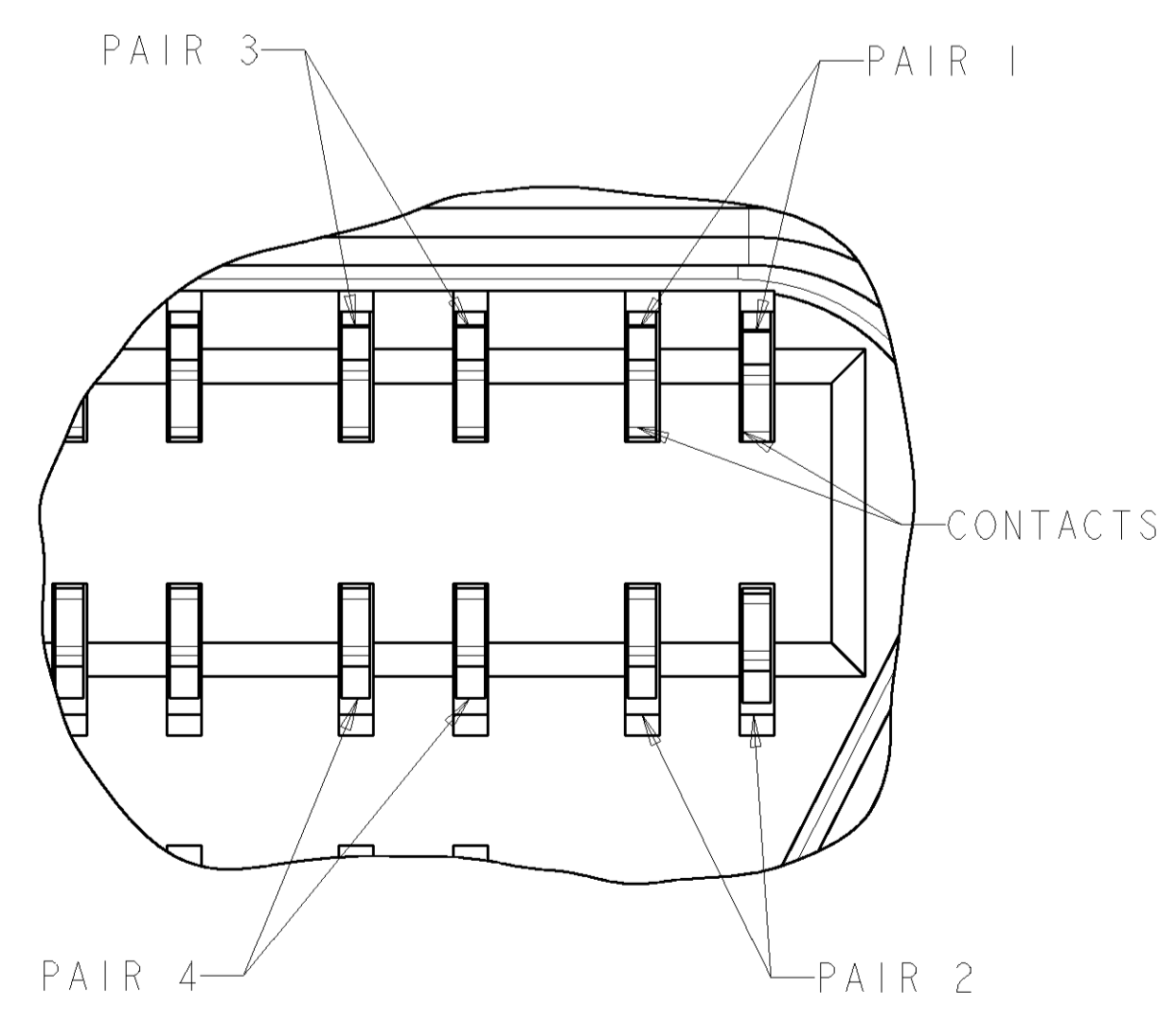
1761482-1 SHOWN
SCALE 3:1



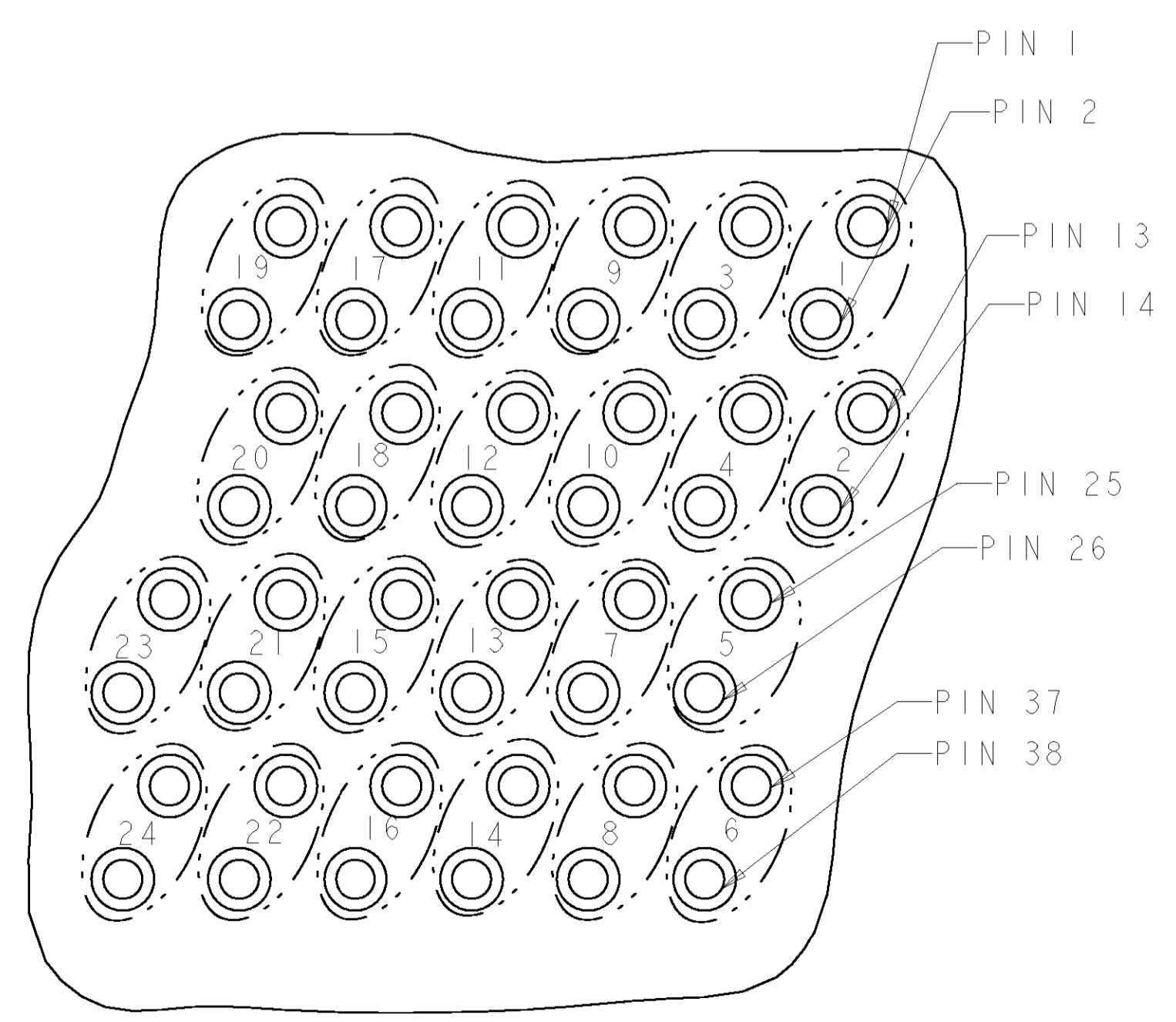
1761482-4
PRESS FIT
BOTTOM VIEW
SCALE 4:1



1761482-2 SHOWN
SCALE 3:1



DETAIL A
SCALE 16:1

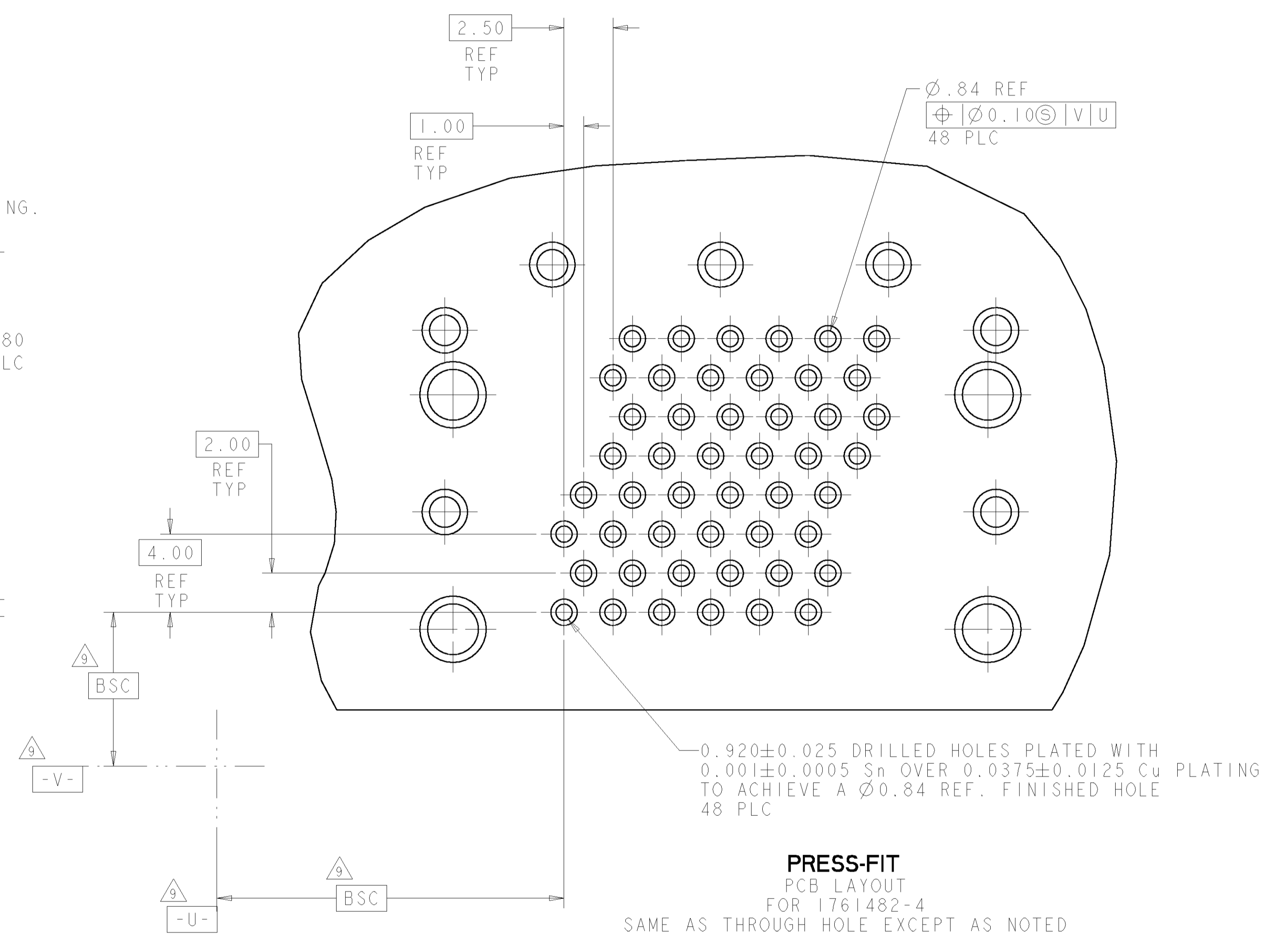
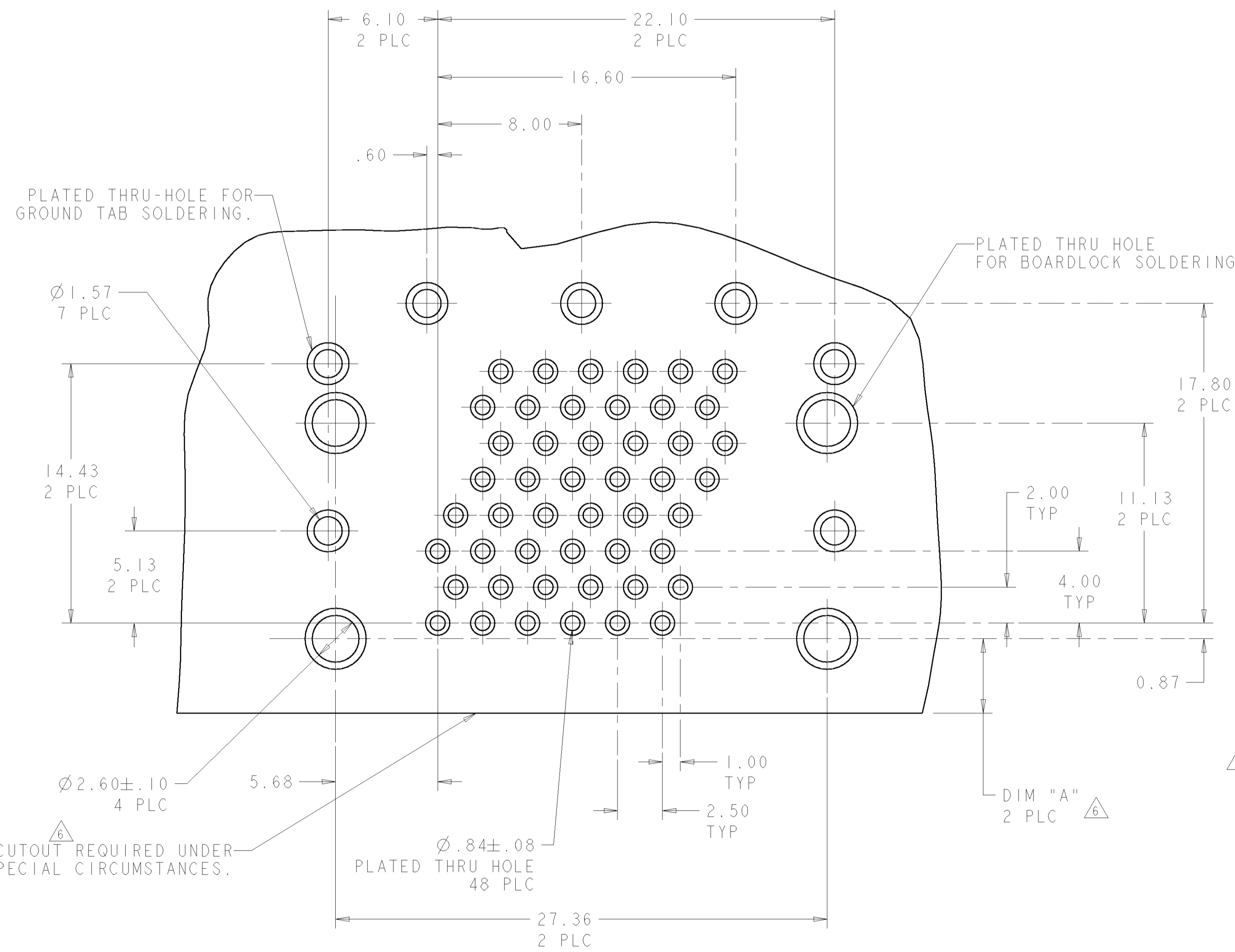


PROPOSED PAIR GROUPING

MODULAR PLUG AND RJ-21 PIN-OUT FOR USE IN 10/100/1000 BASE-T APPLICATIONS

GIG ETHERNET PORT	PLUG POSN.	COLOR	10/100 ETHERNET PORT	PLUG POSN.	COLOR	RJ-21 PIN	MRJ 21 PIN	MRJ 21 PAIR NUM		
1	5	WHT/BLU	1	1	WHT/BLU	26	1	1		
	4	BLU/WHT		2	BLU/WHT	1	2			
	3	WHT/ORG		3	WHT/ORN	27	13	2		
	6	ORG/WHT		6	ORN/WHT	2	14			
	2	1	WHT/GRN	2	1	WHT/GRN	28	3	3	
		2	GRN/WHT		2	GRN/WHT	3	4		
		7	WHT/BRN		3	WHT/BRN	29	15	4	
		8	BRN/WHT		6	BRN/WHT	4	16		
2	5	WHT/GRY	3	1	WHT/GRY	30	25	5		
	4	GRY/WHT		2	GRY/WHT	5	26			
	3	RED/BLU		3	RED/BLU	31	37		6	
	6	BLU/RED	6	BLU/RED	6	38				
	4	1	RED/ORG	4	1	RED/ORN	32	27		7
		2	ORG/RED		2	ORN/RED	7	28		
7		RED/GRN	3		RED/GRN	33	39	8		
8		GRN/RED	6		GRN/RED	8	40			
3	5	RED/BRN	5	1	RED/BRN	34	5	9		
	4	BRN/RED		2	BRN/RED	9	6			
	3	RED/GRY		3	RED/GRAY	35	17		10	
	6	GRY/RED	6	GRY/RED	10	18				
	6	1	BLK/BLU	6	1	BLK/BLU	36	7		11
		2	BLU/BLK		2	BLU/BLK	11	8		
7		BLK/ORG	3		BLK/ORN	37	19	12		
8		ORG/BLK	6		ORN/BLK	12	20			
4	5	BLK/GRN	7	1	BLK/GRN	38	29	13		
	4	GRN/BLK		2	GRN/BLK	13	30			
	3	BLK/BRN		3	BLK/BRN	39	41	14		
	6	BRN/BLK		6	BRN/BLK	14	42			
8	1	BLK/GRY	8	1	BLK/GRY	40	31	15		
	2	GRY/BLK		2	GRY/BLK	15	32			
	7	YEL/BLU		3	YEL/BLU	41	43	16		
	8	BLU/YEL		6	BLU/YEL	16	44			
	5	5		YEL/ORG	9	1	YEL/ORN	42	9	17
		4		ORG/YEL		2	ORN/YEL	17	10	
3		YEL/GRN	3	YEL/GRN		43	21	18		
6		GRN/YEL	6	GRN/YEL		18	22			
10		1	YEL/BRN	10		1	YEL/BRN	44	11	19
		2	BRN/YEL			2	BRN/YEL	19	12	
	7	YEL/GRY	3		YEL/GRY	45	23	20		
	8	GRY/YEL	6		GRY/YEL	20	24			
6	5	VIO/BLU	11	1	VIO/BLU	46	33	21		
	4	BLU/VIO		2	BLU/VIO	21	34			
	3	VIO/ORG		3	VIO/ORN	47	45	22		
	6	ORG/VIO		6	ORN/VIO	22	46			
	12	1		VIO/GRN	12	1	VIO/GRN	48	35	23
		2		GRN/VIO		2	GRN/VIO	23	36	
7		VIO/BRN	3	VIO/BRN		49	47	24		
8		BRN/VIO	6	BRN/VIO		24	48			

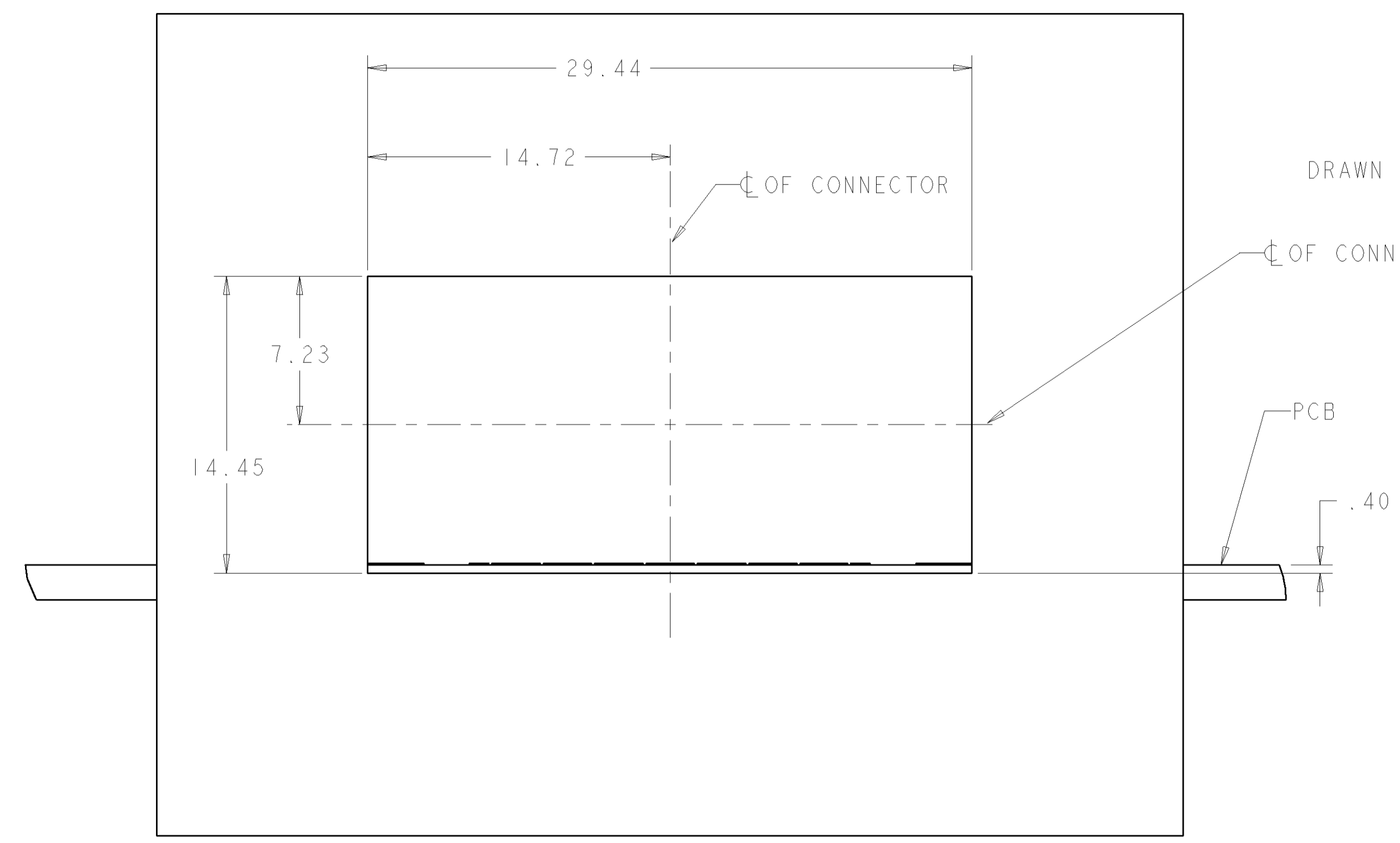
DIMENSIONS:		TOLERANCES UNLESS OTHERWISE SPECIFIED:		DRN: R. GRZYBOWSKI 4DEC2004		CHK: D. A. FAROLE 14DEC2004		APPR: D. A. FAROLE 14DEC2004		NAME: ASSEMBLY, RECEPTACLE, 48 POSITION, MRJ21	
mm	0 PLC ±.13	1 PLC ±0.10	3 PLC #N/A	4 PLC #N/A	ANGLES #N/A	FINISH	PRODUCT SPEC: 108-2064	APPLICATION SPEC:	SIZE: A1	CAGE CODE: 00779	DRAWING NO: 1761482
MATERIAL:	FINISH:	WEIGHT:	CUSTOMER DRAWING:	SCALE: 3:1	SHEET: 2 OF 4	REV: E1					



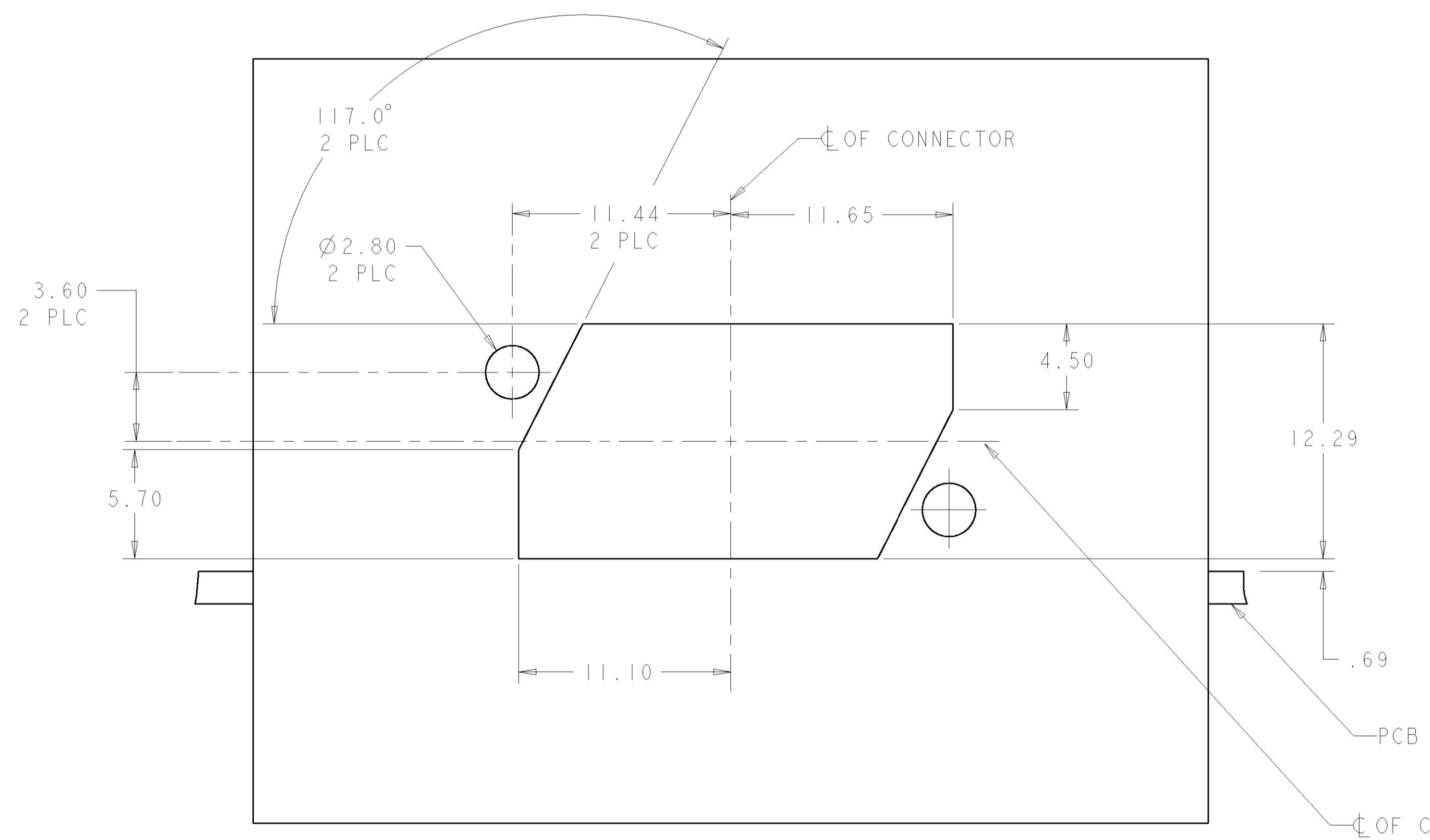
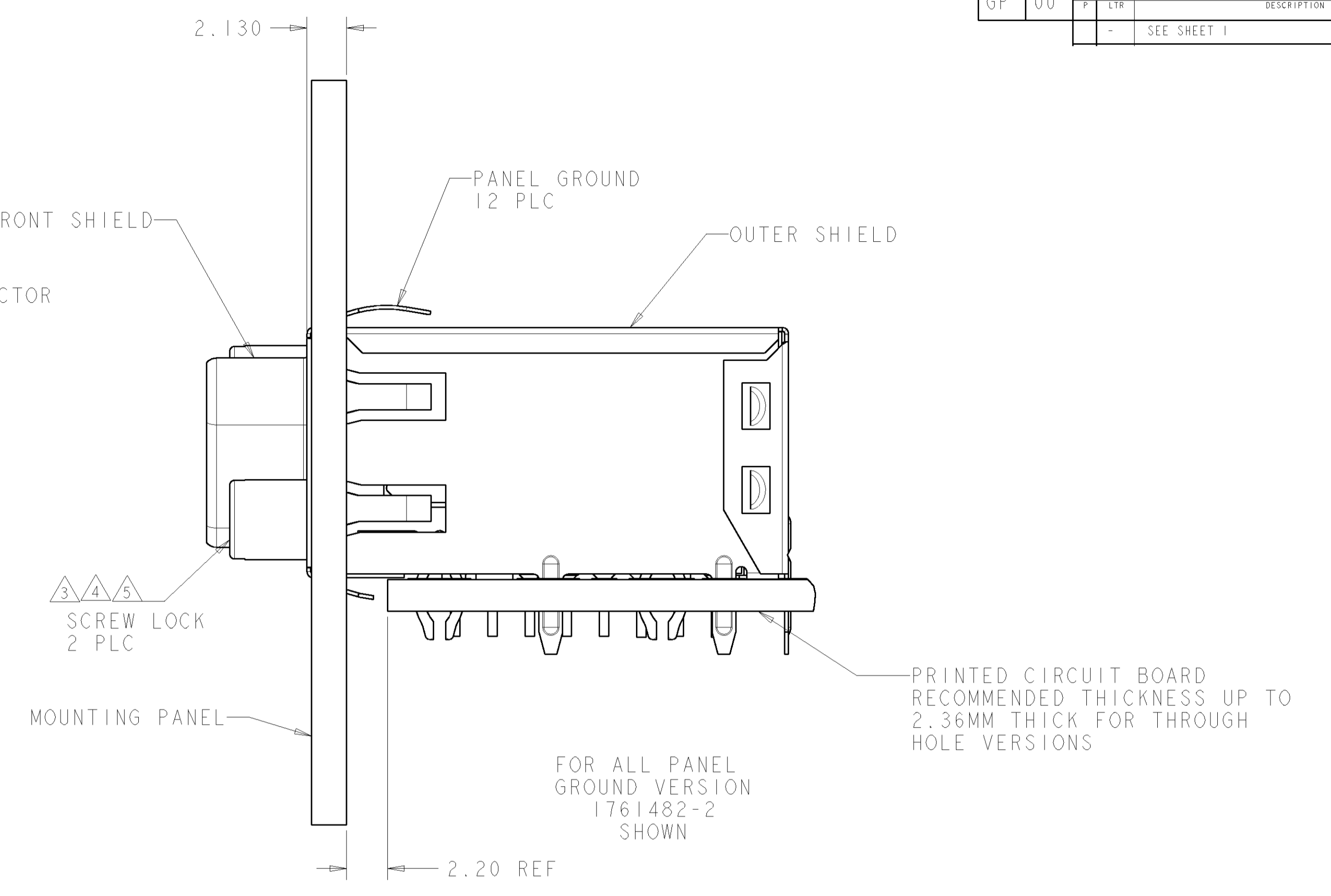
PCB LAYOUT
FOR THROUGH HOLE
COMPONENT SIDE

DIMENSIONS:		TOLERANCES UNLESS OTHERWISE SPECIFIED:		DWN B. GRZYBOWSKI CHK D. A. FAROLE APVD D. A. FAROLE		DATE 14DEC2004 14DEC2004		NAME ASSEMBLY, RECEPTACLE, 48 POSITION, MRJ21	
mm	0 PLC ± .13	1 PLC ± 0.10	2 PLC ± 0.10	3 PLC #N/A	4 PLC #N/A	ANGLES #N/A	FINISH #N/A	PRODUCT SPEC 108-2064	APPLICATION SPEC
MATERIAL	-			WEIGHT	-			SIZE A	CAGE CODE 00779
CUSTOMER DRAWING				DRAWING NO 1761482		SCALE 3:1		SHEET 3 OF 4	
								REV E1	

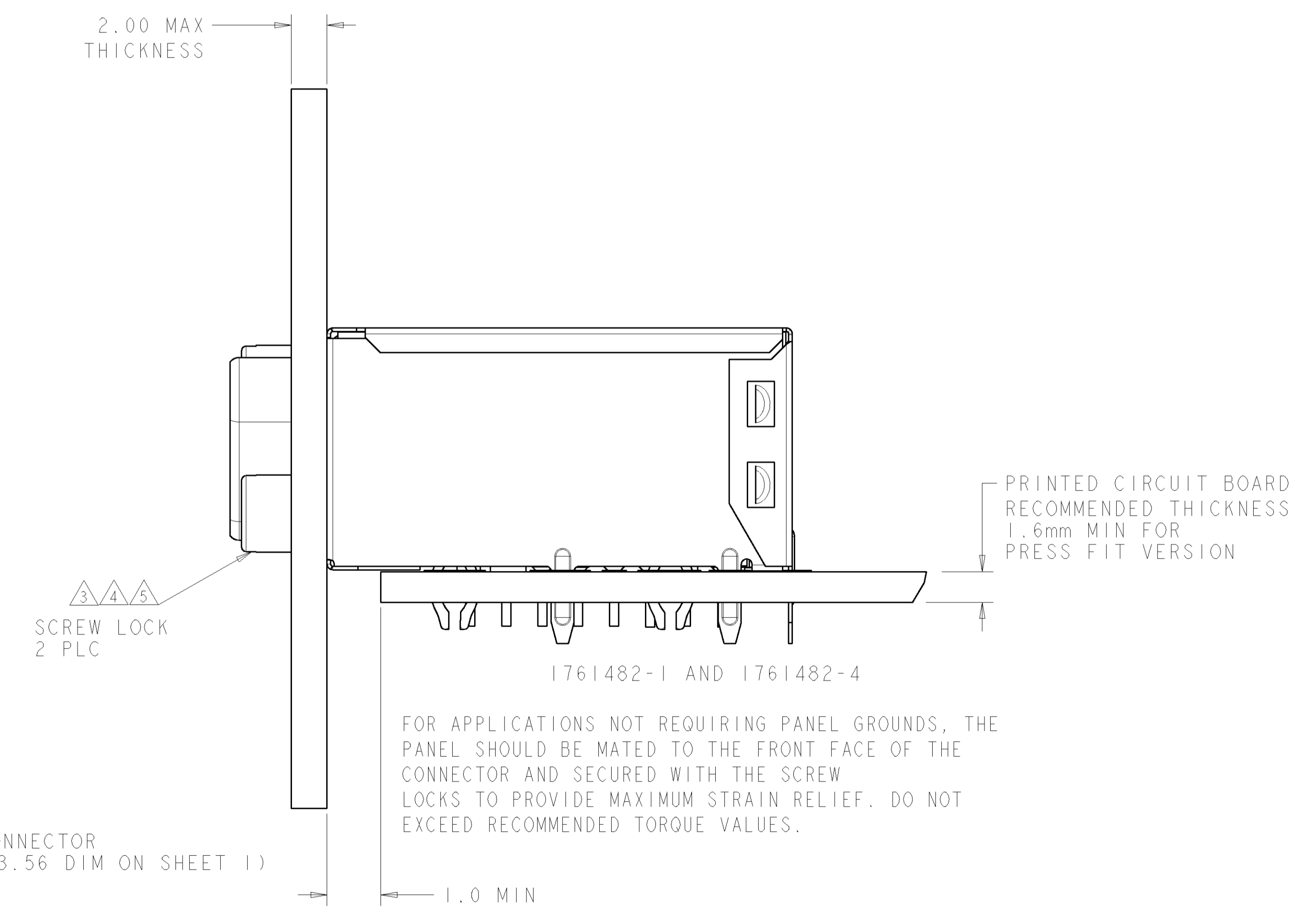




RECOMMENDED PANEL CUTOUT (WITH PANEL GROUNDS)
SCALE 5:1



RECOMMENDED PANEL CUTOUT (NO PANEL GROUNDS)
SCALE 5:1



DIMENSIONS:		TOLERANCES UNLESS OTHERWISE SPECIFIED:		DRN: B. GRZYBOWSKI 14DEC2004		CHK: D.A. FAROLE 14DEC2004		APVD: D.A. FAROLE 14DEC2004		NAME: ASSEMBLY, RECEPTACLE, 48 POSITION, MRJ21	
mm	0 PLC ±0.13	1 PLC ±0.10	2 PLC ±0.10	3 PLC ±N/A	4 PLC ±N/A	ANGLES ±N/A	FINISH	PRODUCT SPEC	108-2064	APPLICATION SPEC	RESTRICTED TO
MATERIAL								WEIGHT		SIZE: CAGE CODE: DRAWING NO: A1 00779 C=1761482	SCALE: 3:1 SHEET 4 OF 4 REV E1
CUSTOMER DRAWING											

X-ON Electronics

Largest Supplier of Electrical and Electronic Components

Click to view similar products for [Modular Connectors / Ethernet Connectors](#) category:

Click to view products by [TE Connectivity](#) manufacturer:

Other Similar products are found below :

[8949-H88/06BLKA/SN](#) [74441-0010/BKN](#) [MP1010RX-1000](#) [MP44RX-1000](#) [PHJ-4P4C-1-V-4](#) [PHP-6P6C-5](#) [GAX-3-66](#) [GAX-8-62](#) [GDCX-PA-66-50](#) [GDCX-PN-64](#) [GDCX-PN-66](#) [GDCX-PN-66-50](#) [GDLX-A-66](#) [GDLX-N-66](#) [GDLX-S-66](#) [GDLX-S-88K](#) [GDTX-S-88-50](#) [GDX-PA-1010](#) [GLX-N-1010M-BLK](#) [GLX-S-88M-BLK](#) [GMX-N-1010](#) [GMX-S-1010](#) [GMX-S-66](#) [GMX-SMT4-N-88](#) [GPX-2-64](#) [GSGX-N-2-88](#) [GSGX-N-4-88](#) [GSX-NS2-88-3.05](#) [GSX-NS2-88-3.05-50](#) [GSX-NS-88-3.05-50](#) [PT-108A-8C-UL](#) [PT-J951-8C](#) [PTS-J531-8CS-50UL](#) [1-1775629-2](#) [A-2014-0-4](#) [GWLX-S-88-GR](#) [GWLX-S9-88-YG](#) [DC-1021-8-WH-6](#) [1300530003](#) [1324640-4](#) [RJ11FTVC2G](#) [RJ11FTVC2N](#) [RJFTVX2SA1G](#) [132764-001](#) [1413235](#) [MP88X-1000](#) [MPS88RX-5000](#) [E5288-S000K3-L](#) [E5908-15A242-L](#) [155302-001](#)