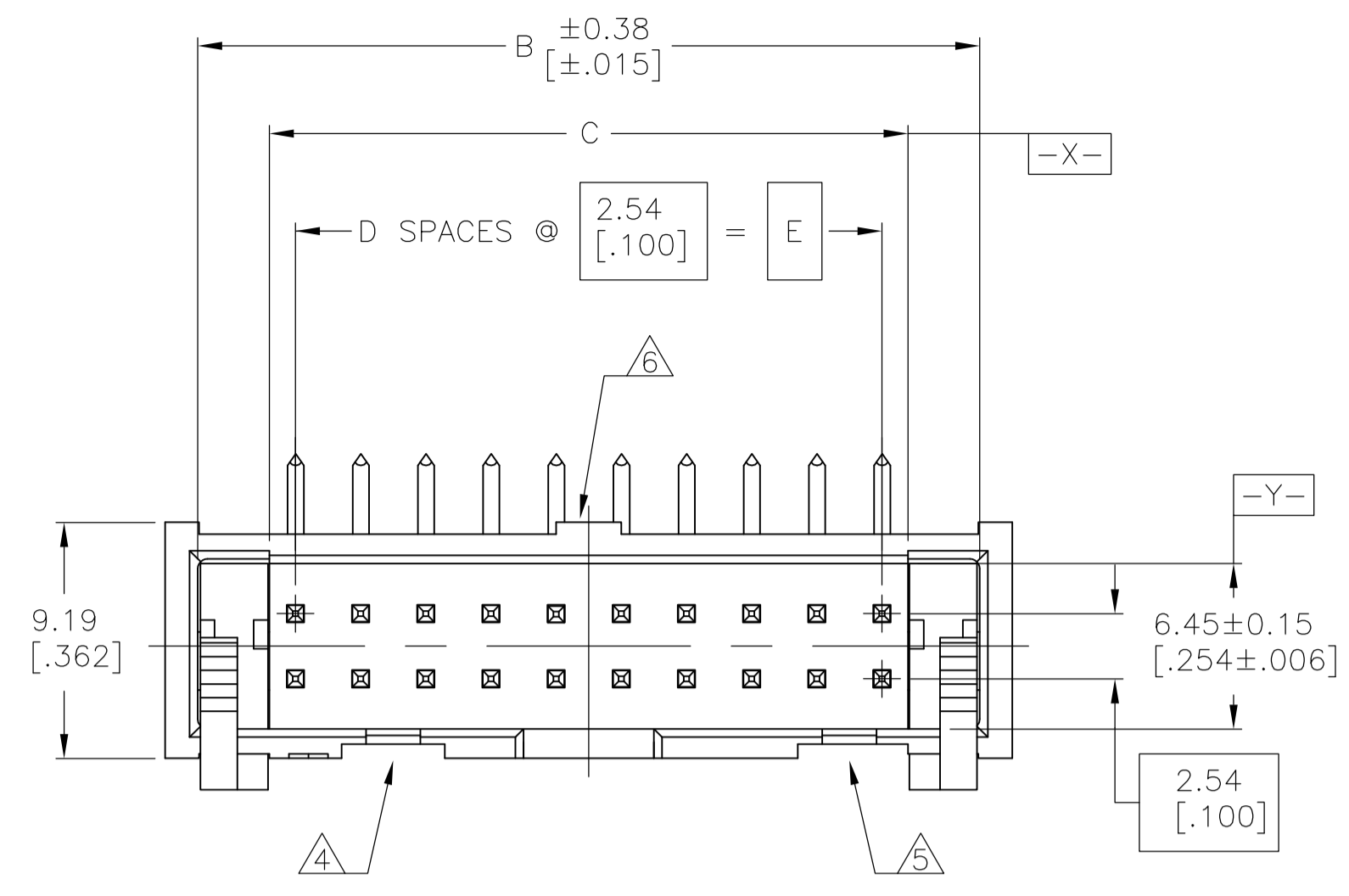
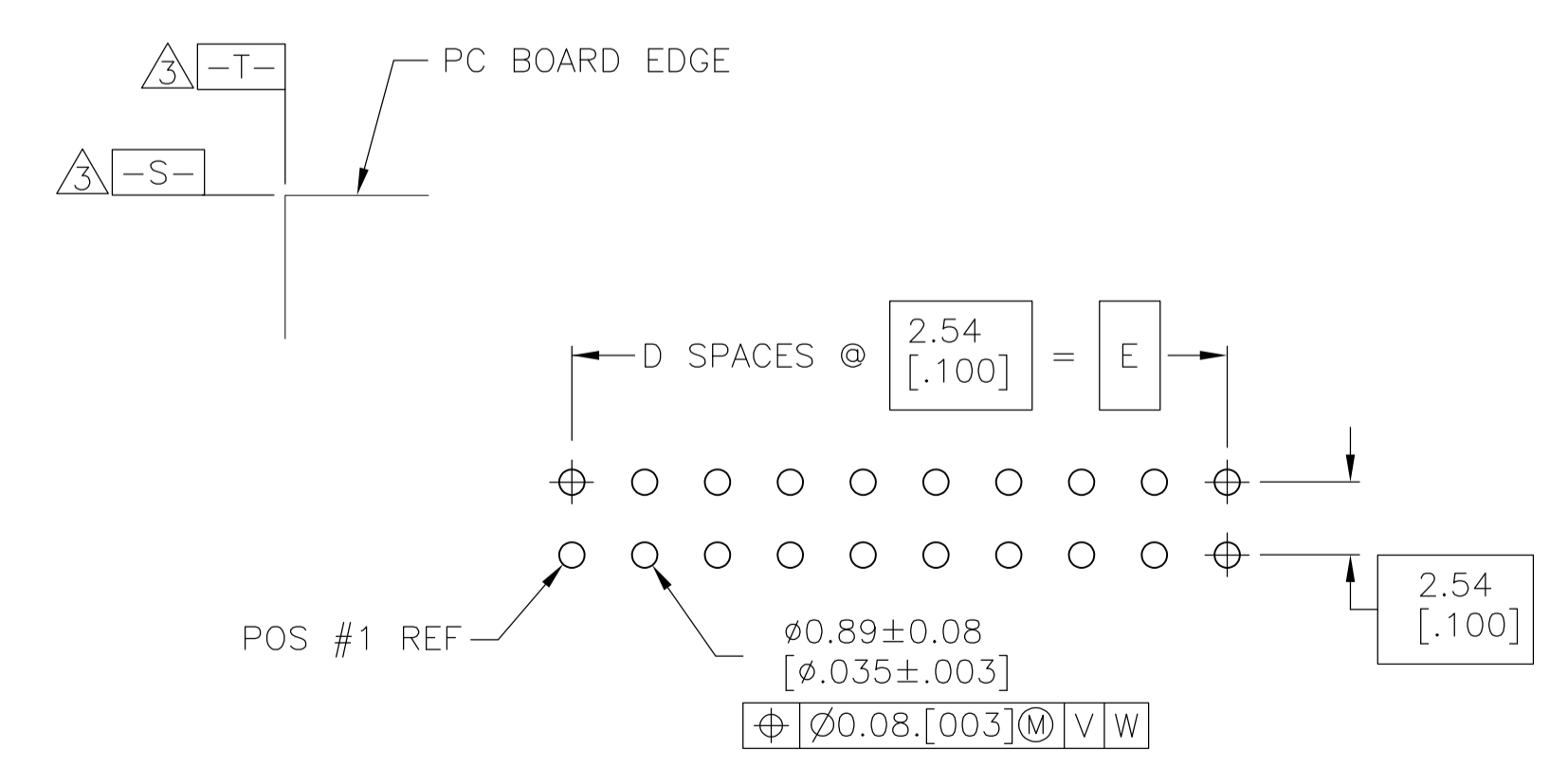
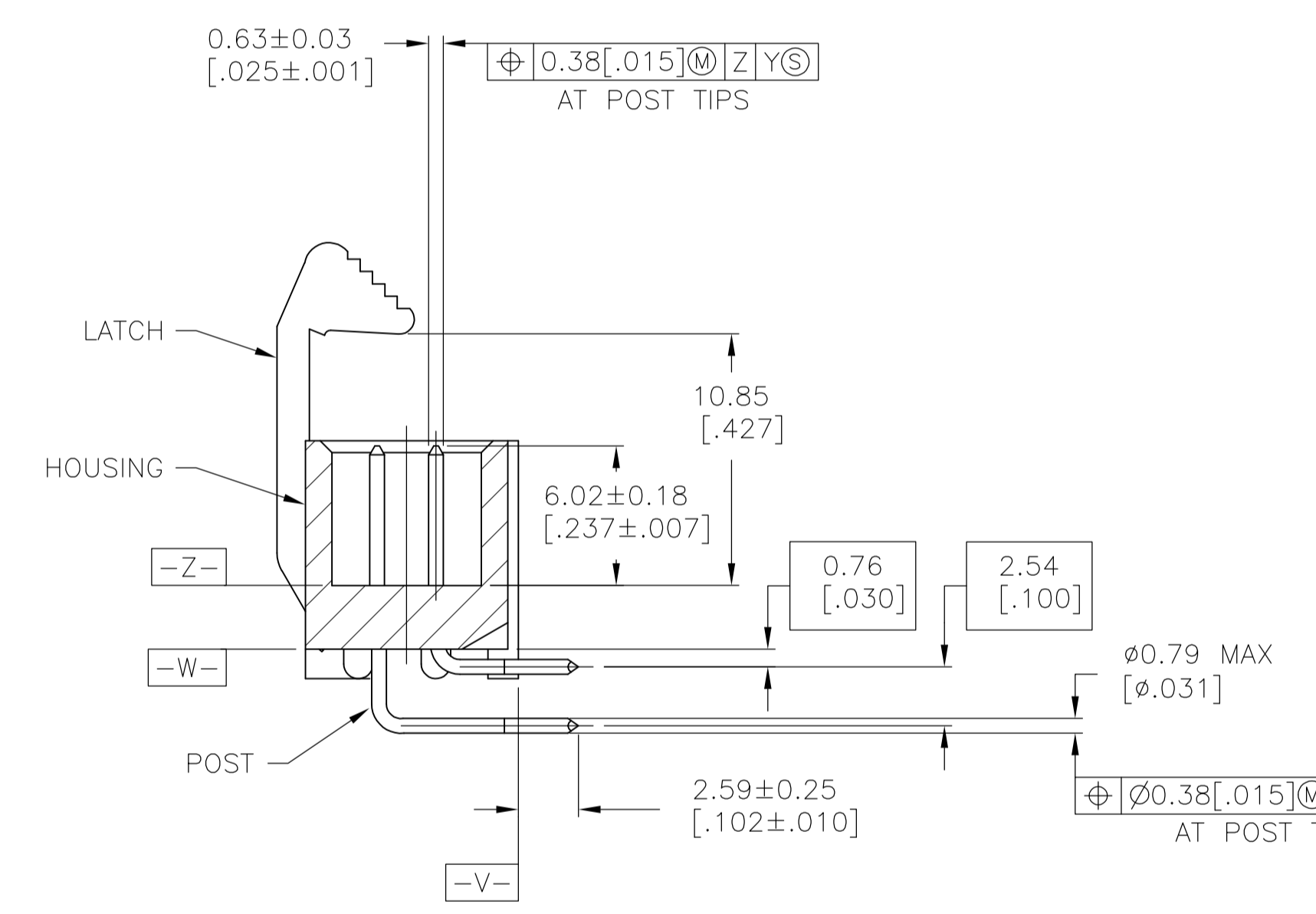
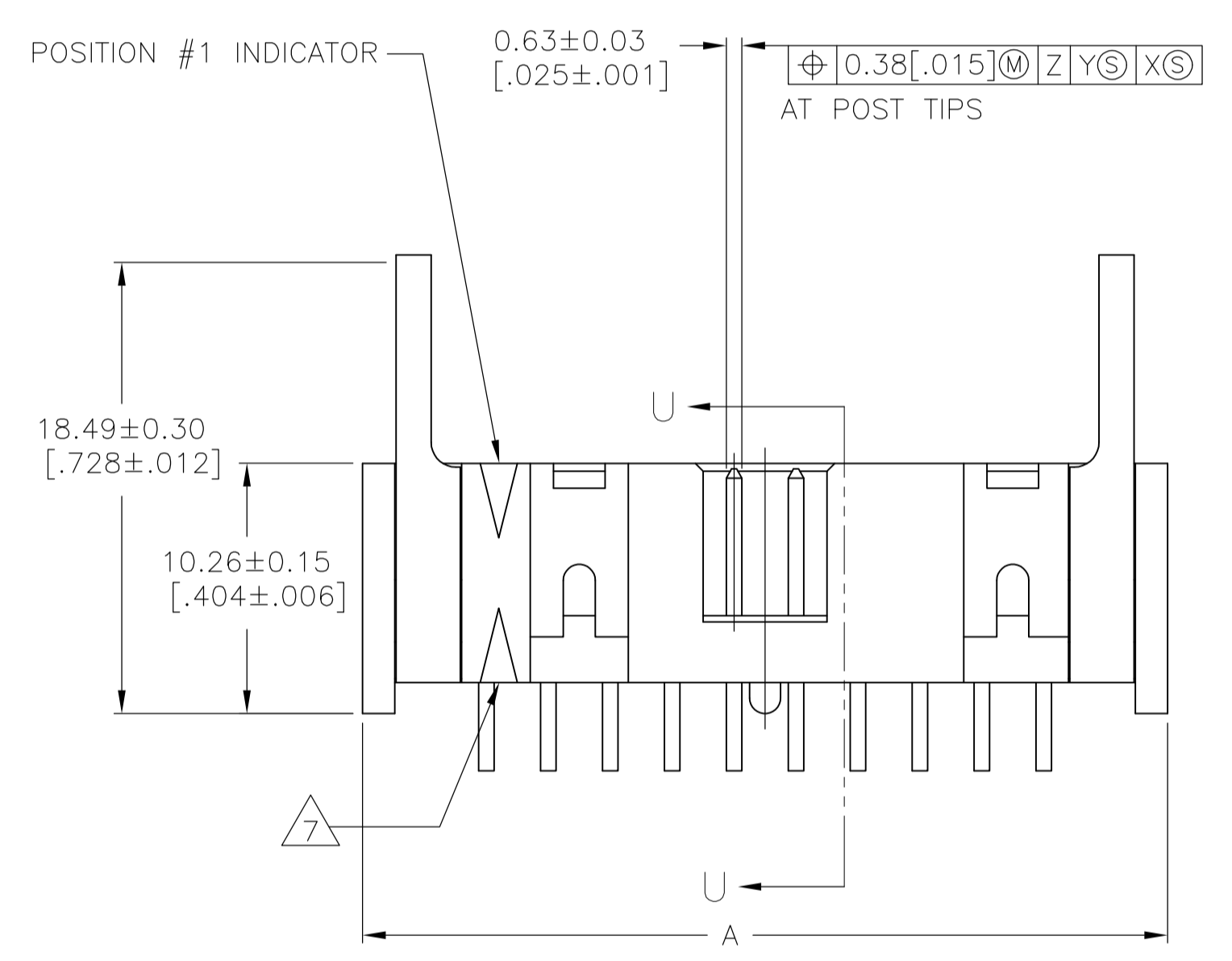


| LOC | | DIST | | REVISIONS | | | | |
|-----|-------------|---------------|---------|-------------|------|----|------|--|
| GP | 00 | REV | DATE | DESCRIPTION | DATE | BY | APPV | |
| F1 | REVISED PER | ECO-11-004835 | 11MAR11 | | | RK | HMR | |



- △ HOUSING: PBT, UL94V-0, COLOR: (SEE TABLE).
POSTS: PHOSPHOR BRONZE.
LATCHES: ZINC ALLOY.
- △ POSTS: GOLD FLASH OVER PALLADIUM-NICKEL PLATE, 0.76µm[.000030] MIN TOTAL ON MATING AREA, 2.54µm[.000100] MIN TIN PLATE ON SOLDER-TAIL, ALL OVER 1.27µm[.000050] MIN NICKEL UNDERPLATE ON ENTIRE POST.
OR
0.76µm[.000030] MIN GOLD PLATE ON MATING AREA, 2.54µm[.000100] MIN TIN PLATE ON THE SOLDER-TAIL, 1.27µm[.000050] MIN NICKEL UNDERPLATE ON THE ENTIRE POST.
LATCHES: BLACK NICKEL OVER COPPER.
- △ DATUMS S & T TO BE ESTABLISHED BY CUSTOMER.
- △ NO KEYING SLOT ON THIS END FOR 6, 10, 12, & 14 POSITION ASSEMBLIES.
- △ NO KEYING SLOT ON THIS END FOR 6 & 10 POSITION ASSEMBLIES.
- △ NO STANDOFF FOR 6, 10, 12, 14 & 16 POSITION ASSEMBLIES.
- △ ALTERNATE LOCATION/ORIENTATION FOR POSITION #1 INDICATOR.



| OBSOLETE | | 78.74 [3.100] | 31 | 80.77 [3.180] | 86.26 [3.396] | 88.90 [3.500] | 64 | 3-1761609-7 |
|---------------|-------|---------------|----|---------------|---------------|---------------|-----------|-------------|
| OBSOLETE | | 73.66 [2.900] | 29 | 75.69 [2.980] | 81.18 [3.196] | 83.82 [3.300] | 60 | 3-1761609-6 |
| OBSOLETE | | 60.96 [2.400] | 24 | 62.99 [2.480] | 68.48 [2.696] | 71.12 [2.800] | 50 | 3-1761609-5 |
| | | 48.26 [1.900] | 19 | 50.29 [1.980] | 55.78 [2.196] | 58.42 [2.300] | 40 | 3-1761609-3 |
| | | 40.64 [1.600] | 16 | 42.67 [1.680] | 48.16 [1.896] | 50.80 [2.000] | 34 | 3-1761609-1 |
| | | 35.56 [1.400] | 14 | 37.59 [1.480] | 43.08 [1.696] | 45.72 [1.800] | 30 | 3-1761609-0 |
| | BLUE | 30.48 [1.200] | 12 | 32.51 [1.280] | 38.00 [1.496] | 40.64 [1.600] | 26 | 2-1761609-9 |
| | | 27.94 [1.100] | 11 | 29.97 [1.180] | 35.46 [1.396] | 38.10 [1.500] | 24 | 2-1761609-8 |
| | | 22.86 [0.900] | 9 | 24.89 [0.980] | 30.38 [1.196] | 33.02 [1.300] | 20 | 2-1761609-7 |
| | | 17.78 [0.700] | 7 | 19.81 [0.780] | 25.30 [0.996] | 27.94 [1.100] | 16 | 2-1761609-6 |
| | | 15.24 [0.600] | 6 | 17.27 [0.680] | 22.76 [0.896] | 25.40 [1.000] | 14 | 2-1761609-5 |
| | | 12.70 [0.500] | 5 | 14.73 [0.580] | 20.22 [0.796] | 22.86 [0.900] | 12 | 2-1761609-4 |
| | | 10.16 [0.400] | 4 | 12.19 [0.480] | 17.68 [0.696] | 20.32 [0.800] | 10 | 2-1761609-3 |
| OBSOLETE | | 5.08 [0.200] | 2 | 7.11 [0.280] | 12.60 [0.496] | 15.24 [0.600] | 6 | 2-1761609-1 |
| | | 73.66 [2.900] | 29 | 75.69 [2.980] | 81.18 [3.196] | 83.82 [3.300] | 60 | 1-1761609-6 |
| | | 60.96 [2.400] | 24 | 62.99 [2.480] | 68.48 [2.696] | 71.12 [2.800] | 50 | 1-1761609-5 |
| | | 48.26 [1.900] | 19 | 50.29 [1.980] | 55.78 [2.196] | 58.42 [2.300] | 40 | 1-1761609-3 |
| | | 40.64 [1.600] | 16 | 42.67 [1.680] | 48.16 [1.896] | 50.80 [2.000] | 34 | 1-1761609-1 |
| | BLACK | 30.48 [1.200] | 12 | 32.51 [1.280] | 38.00 [1.496] | 40.64 [1.600] | 26 | 1761609-9 |
| | | 22.86 [0.900] | 9 | 24.89 [0.980] | 30.38 [1.196] | 33.02 [1.300] | 20 | 1761609-7 |
| | | 17.78 [0.700] | 7 | 19.81 [0.780] | 25.30 [0.996] | 27.94 [1.100] | 16 | 1761609-6 |
| | | 15.24 [0.600] | 6 | 17.27 [0.680] | 22.76 [0.896] | 25.40 [1.000] | 14 | 1761609-5 |
| | | 10.16 [0.400] | 4 | 12.19 [0.480] | 17.68 [0.696] | 20.32 [0.800] | 10 | 1761609-3 |
| HOUSING COLOR | | E | D | C | B | A | NO OF POS | PART NUMBER |

THIS DRAWING IS A CONTROLLED DOCUMENT.

APPROVED: B. CRISAMORE/DJI, S. BOLASH, M. WALMSLEY

TE Connectivity

HEADER ASSEMBLY, SHORT EJECT LATCH, RIGHT ANGLE, LOW PROFILE, IDC

SIZE: A1, CAGE CODE: 00779, DRAWING NO: 1761609

SCALE: 4:1, SHEET: 1 OF 1, REV: F1

X-ON Electronics

Largest Supplier of Electrical and Electronic Components

Click to view similar products for [Headers & Wire Housings](#) category:

Click to view products by [TE Connectivity](#) manufacturer:

Other Similar products are found below :

[892-18-020-10-001101](#) [58102-G61-06LF](#) [582553-1](#) [0009485154](#) [009176003701906](#) [0050291907](#) [LY20-4P-DT1-P1E-BR](#) [02.125.8002.8](#)
[609-3404](#) [61062-3](#) [61082-181009](#) [622-3653LF](#) [63453-116](#) [636-1030](#) [636-1427](#) [636-3427](#) [636-4007](#) [641938-9](#) [641991-4](#) [644827-2](#) [65817-010LF](#) [65817-015LF](#) [65863-015LF](#) [66207-023LF](#) [67095-007LF](#) [67601157](#) [68645-018](#) [68648-049](#) [70.362.1628.0](#) [70-4210](#) [70-4226B](#) [70-4853B](#) [707-5020](#) [707-5028](#) [71.350.2428.0](#) [71918-208LF](#) [71961-016LF](#) [733-134](#) [733-162](#) [754199-000](#) [760-3052](#) [787-8014-00](#) [79531-3000](#)
[FCN-360C032-B](#) [FCN-367T-T012/H](#) [FCN-723D010/2](#) [80.063.4001.1](#) [800-90-001-10-001000](#) [800-90-010-10-002000](#) [801-43-002-10-013000](#)