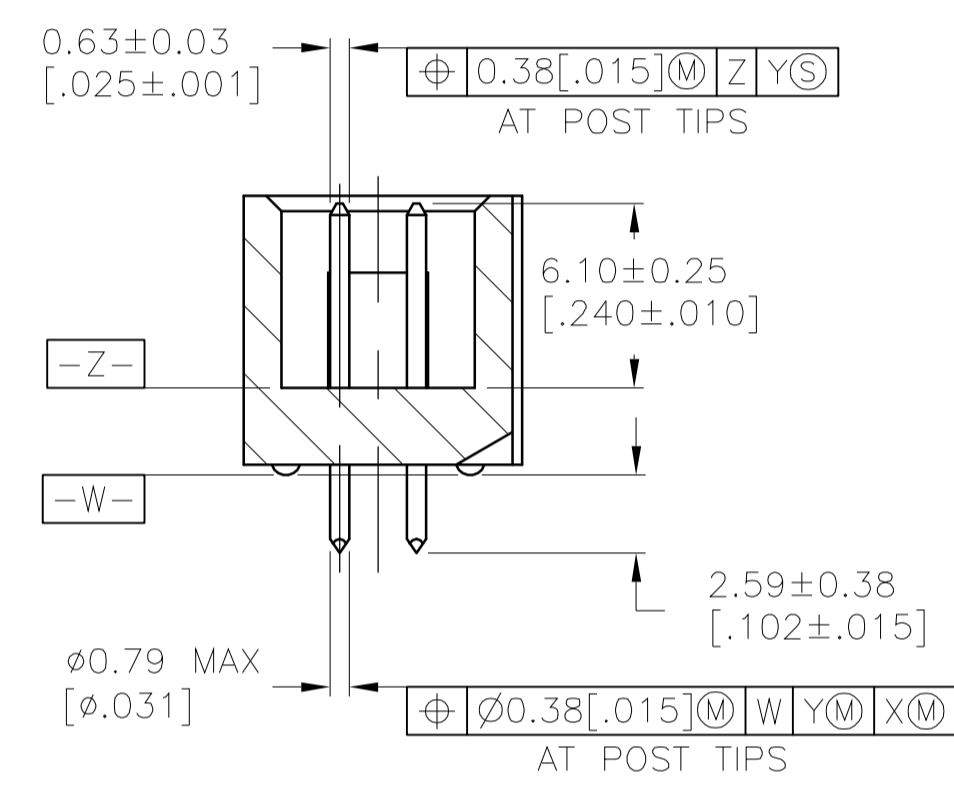
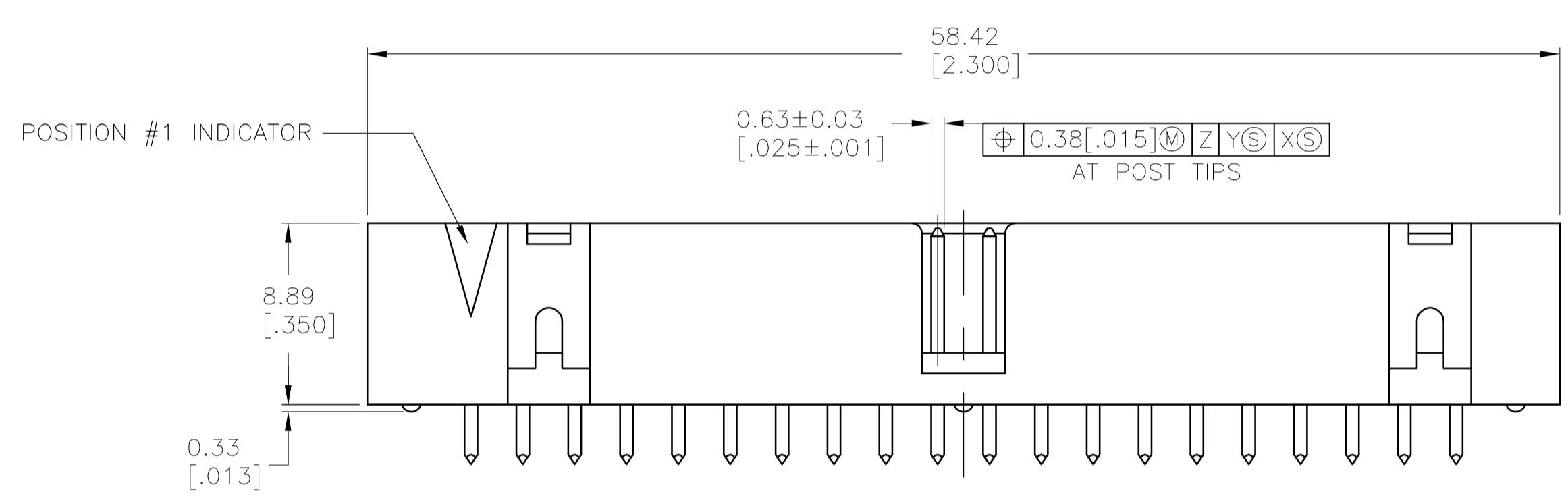
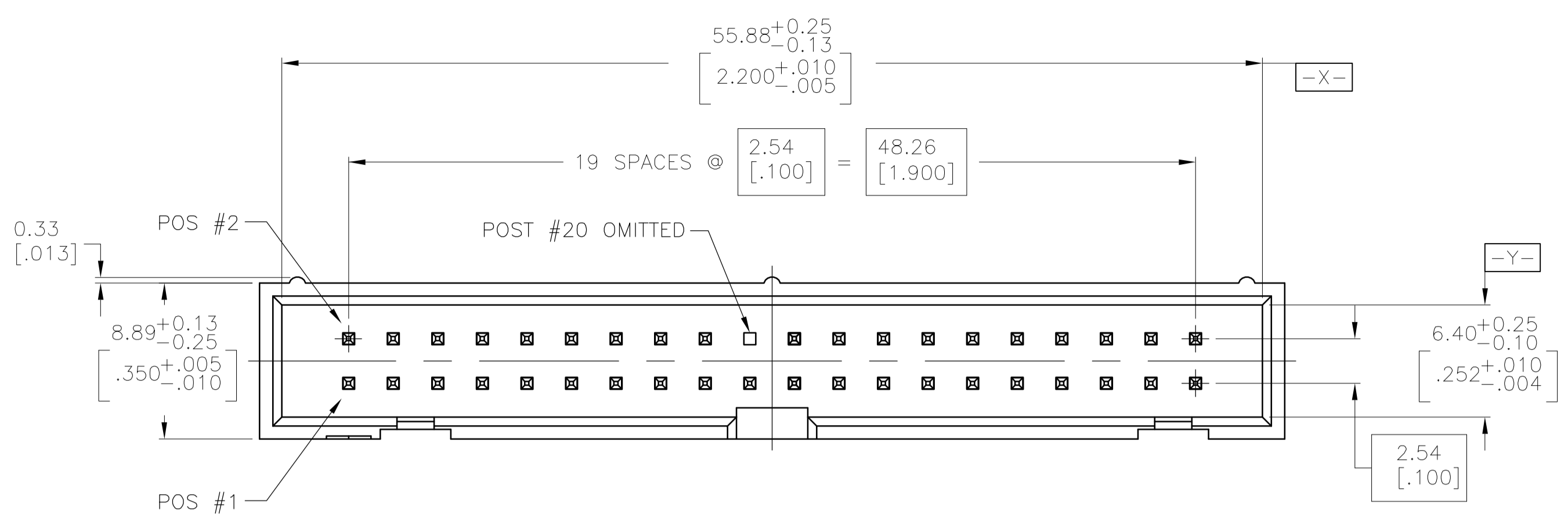
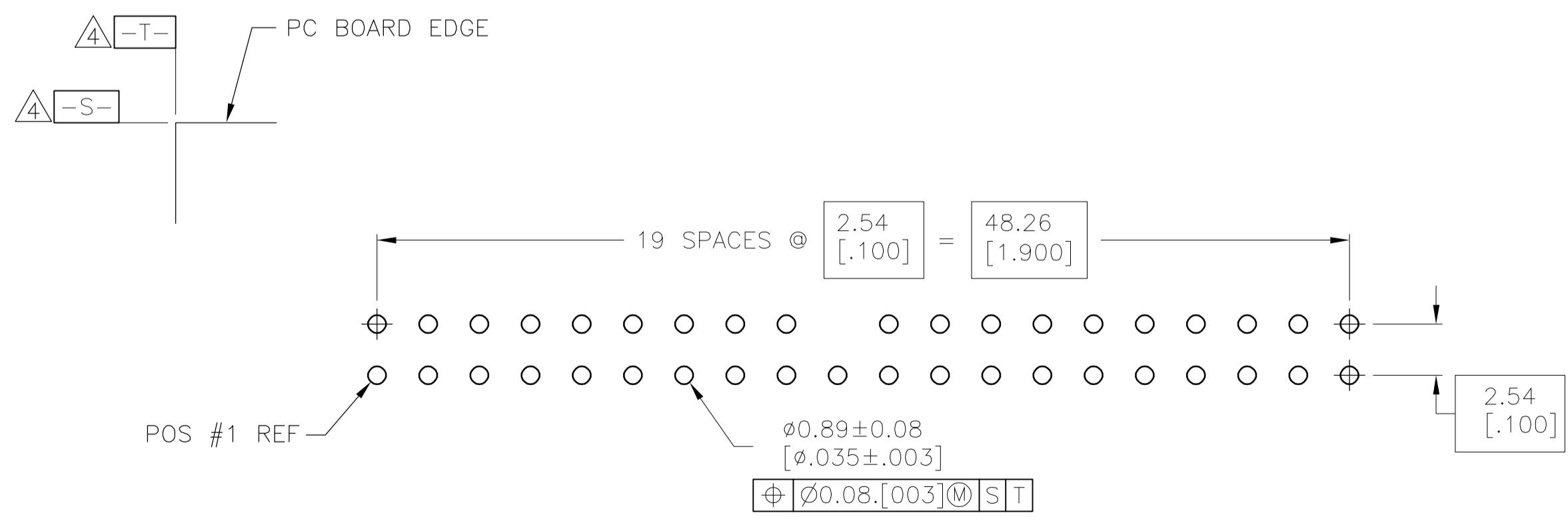


LOC		DIST		REVISIONS			
GP	00	REV	DATE	BY	APP'D		
C		REVISED PER ECO-06-020539	12SEP06	JDP	SLB		



- ⚠ HOUSING: PBT, UL94V-0, COLOR BLACK.
- POSTS: PHOSPHOR BRONZE.
- ⚠ GOLD FLASH ON MATING AREA, 0.00254[.000100] MIN TIN ON SOLDER END, ALL OVER 0.00127[.000050] MIN NICKEL ON ENTIRE POST.
- ⚠ 0.00038[.000015] MIN GOLD ON MATING AREA, 0.00254[.000100] MIN TIN ON SOLDER END, ALL OVER 0.00127[.000050] MIN NICKEL ON ENTIRE POST.
- ⚠ DATUMS S & T TO BE ESTABLISHED BY CUSTOMER.



RECOMMENDED PC BOARD LAYOUT
(VIEWED FROM CONNECTOR SIDE)

OBSELETE	1761633-2
	1761633-1
POST FINISH	PART NUMBER

THIS DRAWING IS A CONTROLLED DOCUMENT.		DIN J.GERACE 26APROS	Tyco Electronics Corporation	
DIMENSIONS: mm [INCHES]		CHK S.BOLASH 26APROS	Harrisburg, PA 17105-3608	
TOLERANCES UNLESS OTHERWISE SPECIFIED:		APP'D M.WALMSLEY 26APROS	NAME	
0 PLG ± -		PRODUCT SPEC		
1 PLG ± -		APPLICATION SPEC		
2 PLG ± -		SIZE		
3 PLG ± 0.13[.005]		CAGE CODE		
4 PLG ± -		DRAWING NO		
ANGLES ± -		RESTRICTED TO		
MATERIAL	FINISH	WEIGHT	A1 00779 C=1761633	
	POSTS: SEE TABLE		CUSTOMER DRAWING	
		SCALE	SHEET	REV
		4:1	1 OF 1	C

X-ON Electronics

Largest Supplier of Electrical and Electronic Components

Click to view similar products for [Headers & Wire Housings](#) category:

Click to view products by [TE Connectivity](#) manufacturer:

Other Similar products are found below :

[892-18-020-10-001101](#) [58102-G61-06LF](#) [582553-1](#) [0009485154](#) [009176003701906](#) [0050291907](#) [LY20-4P-DT1-P1E-BR](#) [02.125.8002.8](#)
[609-3404](#) [61062-3](#) [61082-181009](#) [622-3653LF](#) [63453-116](#) [636-1030](#) [636-1427](#) [636-3427](#) [636-4007](#) [641938-9](#) [641991-4](#) [644827-2](#) [65817-](#)
[010LF](#) [65817-015LF](#) [65863-015LF](#) [66207-023LF](#) [67095-007LF](#) [67601157](#) [68645-018](#) [68648-049](#) [70.362.1628.0](#) [70-4210](#) [70-4226B](#) [70-](#)
[4853B](#) [707-5020](#) [707-5028](#) [71.350.2428.0](#) [71918-208LF](#) [71961-016LF](#) [733-134](#) [733-162](#) [754199-000](#) [760-3052](#) [787-8014-00](#) [79531-3000](#)
[FCN-360C032-B](#) [FCN-367T-T012/H](#) [FCN-723D010/2](#) [80.063.4001.1](#) [800-90-001-10-001000](#) [800-90-010-10-002000](#) [801-43-002-10-013000](#)