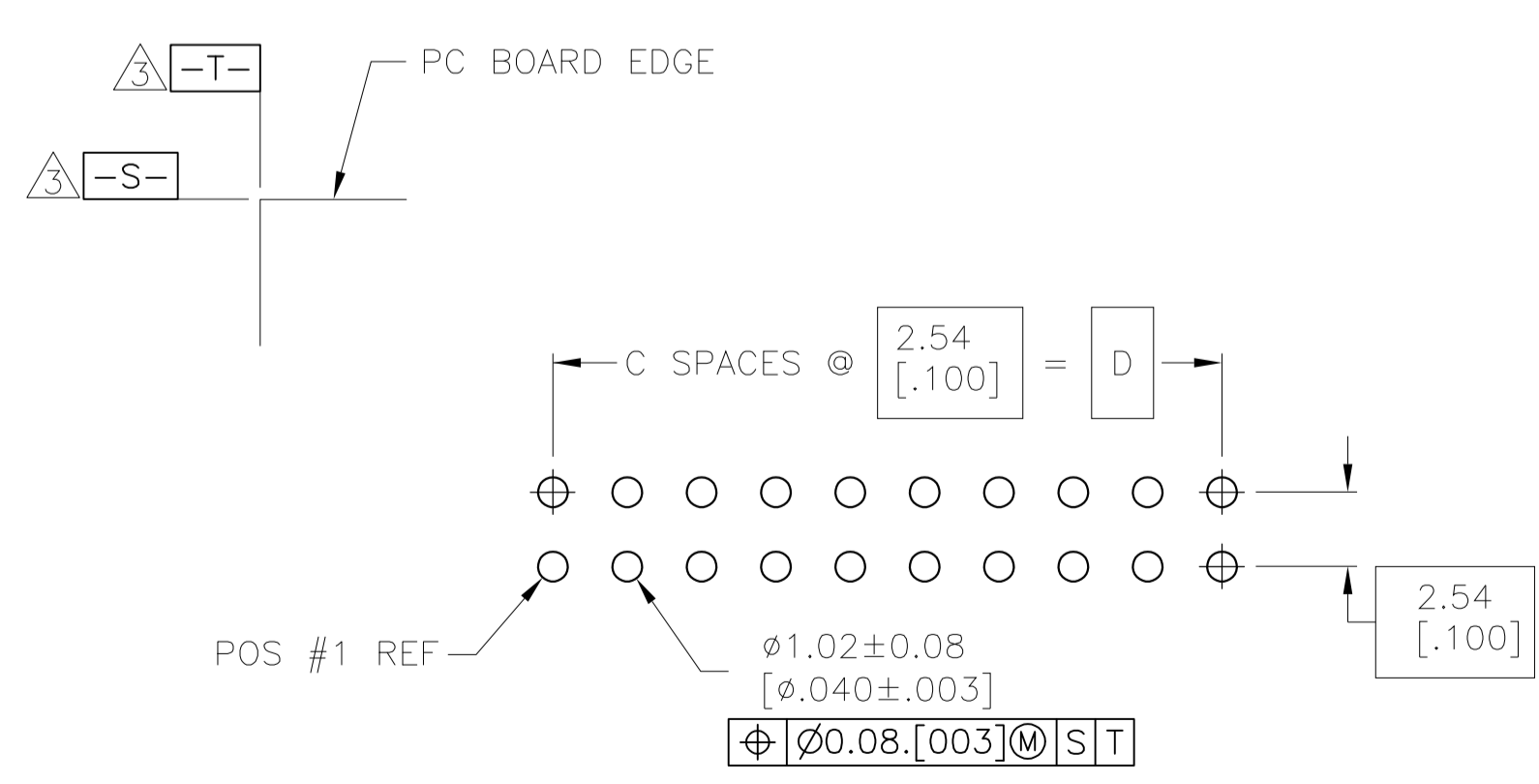
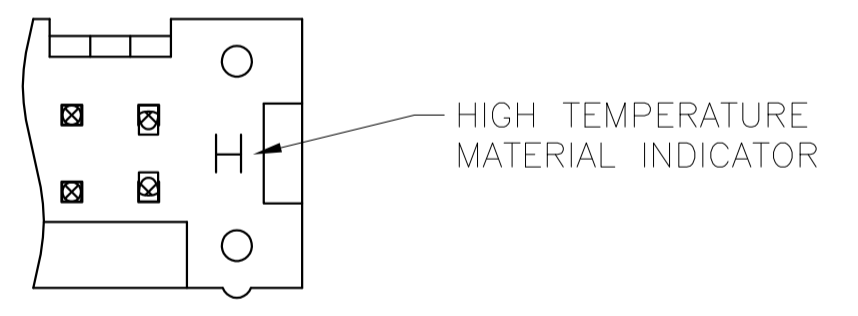
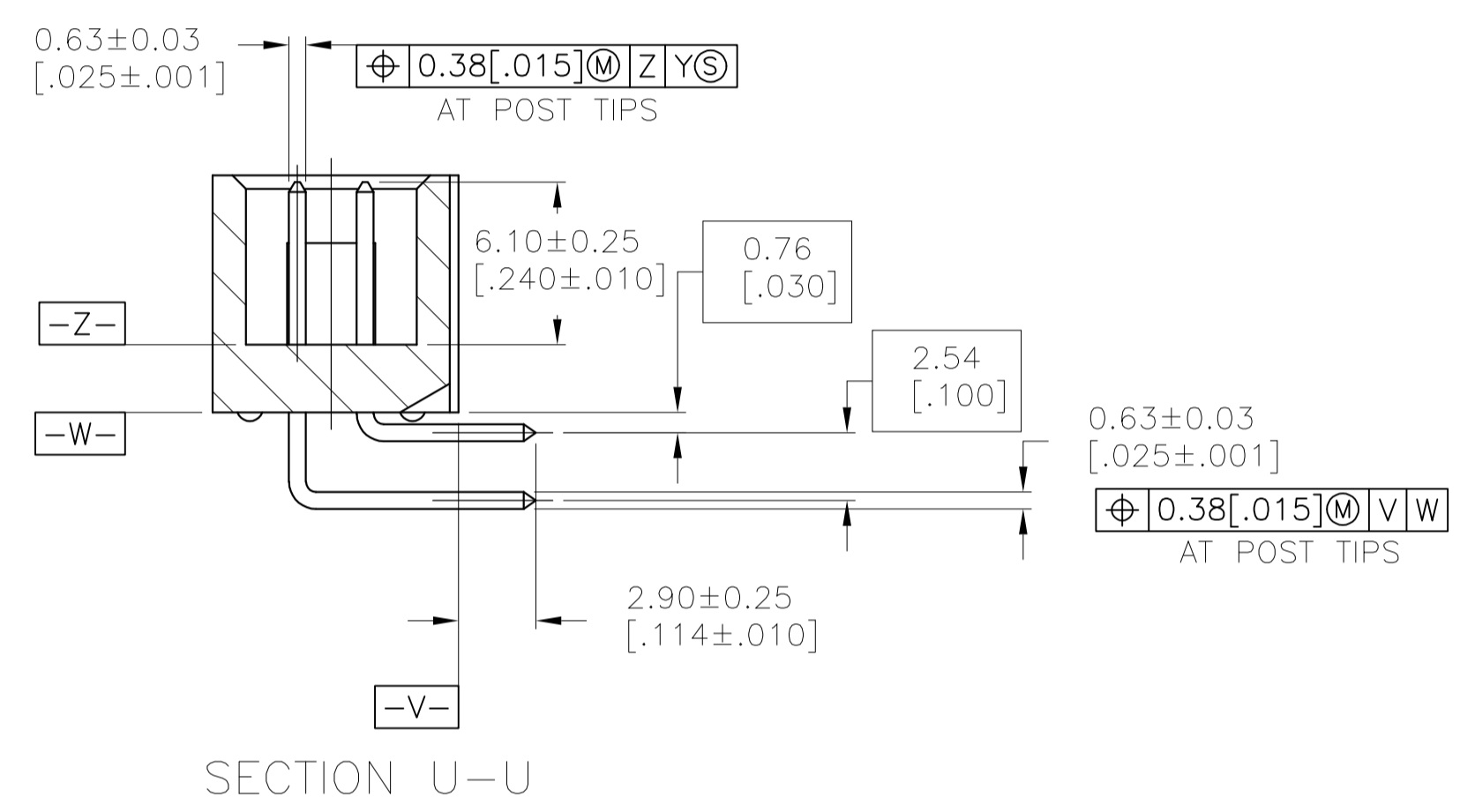
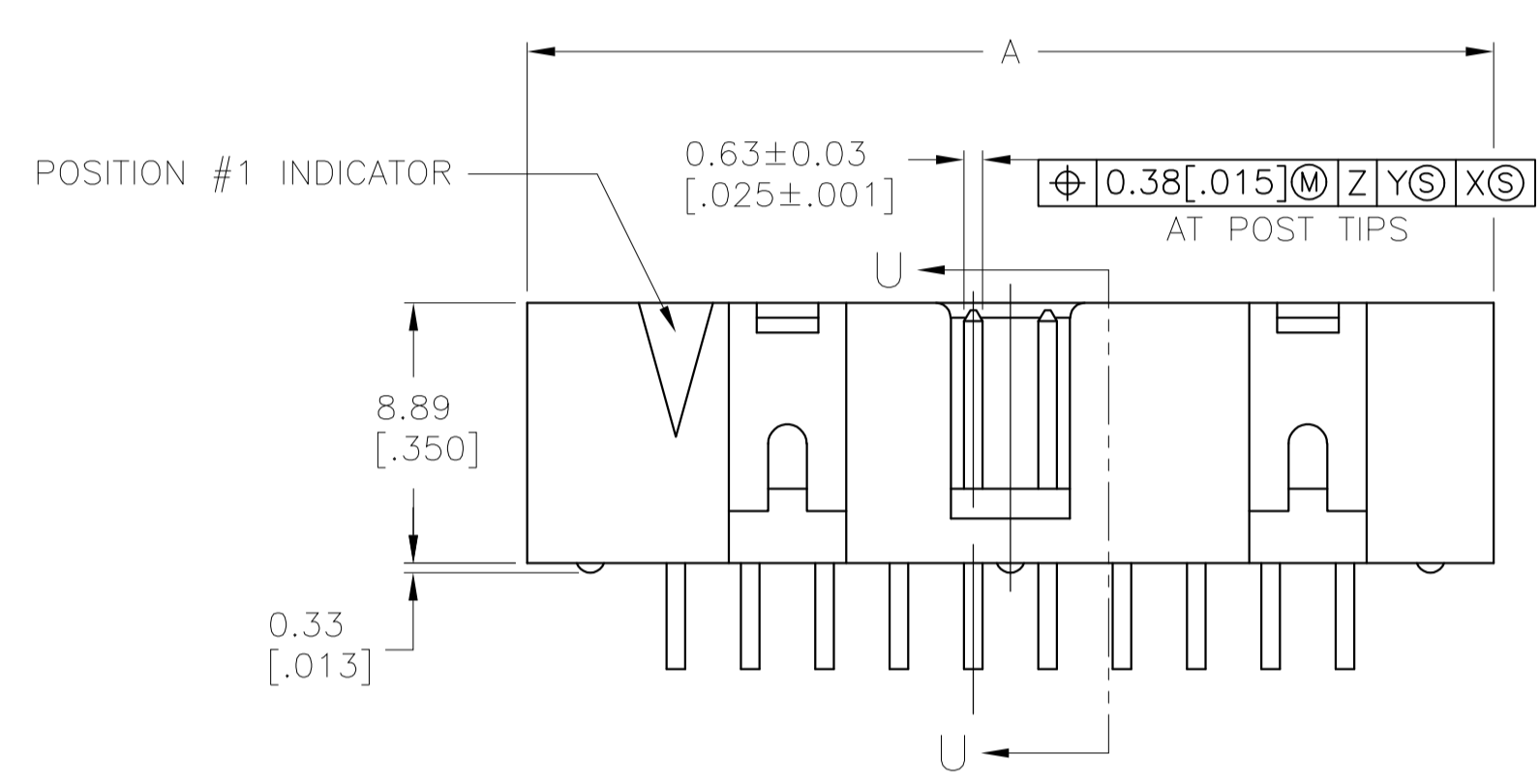


- △ HOUSING: PCT, UL94V-0, COLOR BLACK.
- POSTS: PHOSPHOR BRONZE.
- △ POSTS: 0.00038[.000015] MIN GOLD ON MATING AREA, 0.00254[.000100] MIN TIN ON SOLDER END, ALL OVER 0.00127[.000050] MIN NICKEL ON ENTIRE POST.
- △ DATUMS S & T TO BE ESTABLISHED BY CUSTOMER.
- △ NO KEYING SLOT ON THIS END FOR 10 & 14 POSITION ASSEMBLIES.
- △ NO KEYING SLOT ON THIS END FOR 10 POSITION ASSEMBLIES.



RECOMMENDED PC BOARD LAYOUT
(VIEWED FROM CONNECTOR SIDE)

OBsolete	60.96 [2.400]	24	68.58 [2.700]	71.12 [2.800]	50	1-1761682-5
	48.26 [1.900]	19	55.88 [2.200]	58.42 [2.300]	40	1-1761682-3
	40.64 [1.600]	16	48.26 [1.900]	50.80 [2.000]	34	1-1761682-1
OBsolete	30.48 [1.200]	12	38.10 [1.500]	40.64 [1.600]	26	1761682-9
	22.86 [.900]	9	30.48 [1.200]	33.02 [1.300]	20	1761682-7
	17.78 [.700]	7	25.40 [1.000]	27.94 [1.100]	16	1761682-6
	15.24 [.600]	6	22.86 [.900]	25.40 [1.000]	14	1761682-5
	10.16 [.400]	4	17.78 [.700]	20.32 [.800]	10	1761682-3
	D	C	B	A	NO OF POS	PART NUMBER

THIS DRAWING IS A CONTROLLED DOCUMENT.

DIMENSIONS:	TOLERANCES UNLESS OTHERWISE SPECIFIED:	APPROVED:	DATE:
mm	0.150 ± -	B. CRISAMORE/DJI	23MAY05
	1.500 ± -	S. BOLASH	23MAY05
	3.000 ± -	M. WALMSLEY	23MAY05
	ANGLES ± -		

MATERIAL: FINISH:

NAME: HEADER ASSEMBLY, HIGH TEMP, RIGHT ANGLE, LOW PROFILE, IDC

SIZE: A1 CAGE CODE: 00779 DRAWING NO: 1761682

WEIGHT: ---

CUSTOMER DRAWING SCALE: 4:1 SHEET: 1 OF 1 REV: A1

X-ON Electronics

Largest Supplier of Electrical and Electronic Components

Click to view similar products for [Headers & Wire Housings](#) category:

Click to view products by [TE Connectivity](#) manufacturer:

Other Similar products are found below :

[892-18-020-10-001101](#) [58102-G61-06LF](#) [582553-1](#) [0009485154](#) [009176003701906](#) [0050291907](#) [LY20-4P-DT1-P1E-BR](#) [02.125.8002.8](#)
[609-3404](#) [61062-3](#) [61082-181009](#) [622-3653LF](#) [63453-116](#) [636-1030](#) [636-1427](#) [636-3427](#) [636-4007](#) [641938-9](#) [641991-4](#) [644827-2](#) [65817-](#)
[010LF](#) [65817-015LF](#) [65863-015LF](#) [66207-023LF](#) [67095-007LF](#) [67601157](#) [68645-018](#) [68648-049](#) [70.362.1628.0](#) [70-4210](#) [70-4226B](#) [70-](#)
[4853B](#) [707-5020](#) [707-5028](#) [71.350.2428.0](#) [71918-208LF](#) [71961-016LF](#) [733-134](#) [733-162](#) [754199-000](#) [760-3052](#) [787-8014-00](#) [79531-3000](#)
[FCN-360C032-B](#) [FCN-367T-T012/H](#) [FCN-723D010/2](#) [80.063.4001.1](#) [800-90-001-10-001000](#) [800-90-010-10-002000](#) [801-43-002-10-013000](#)