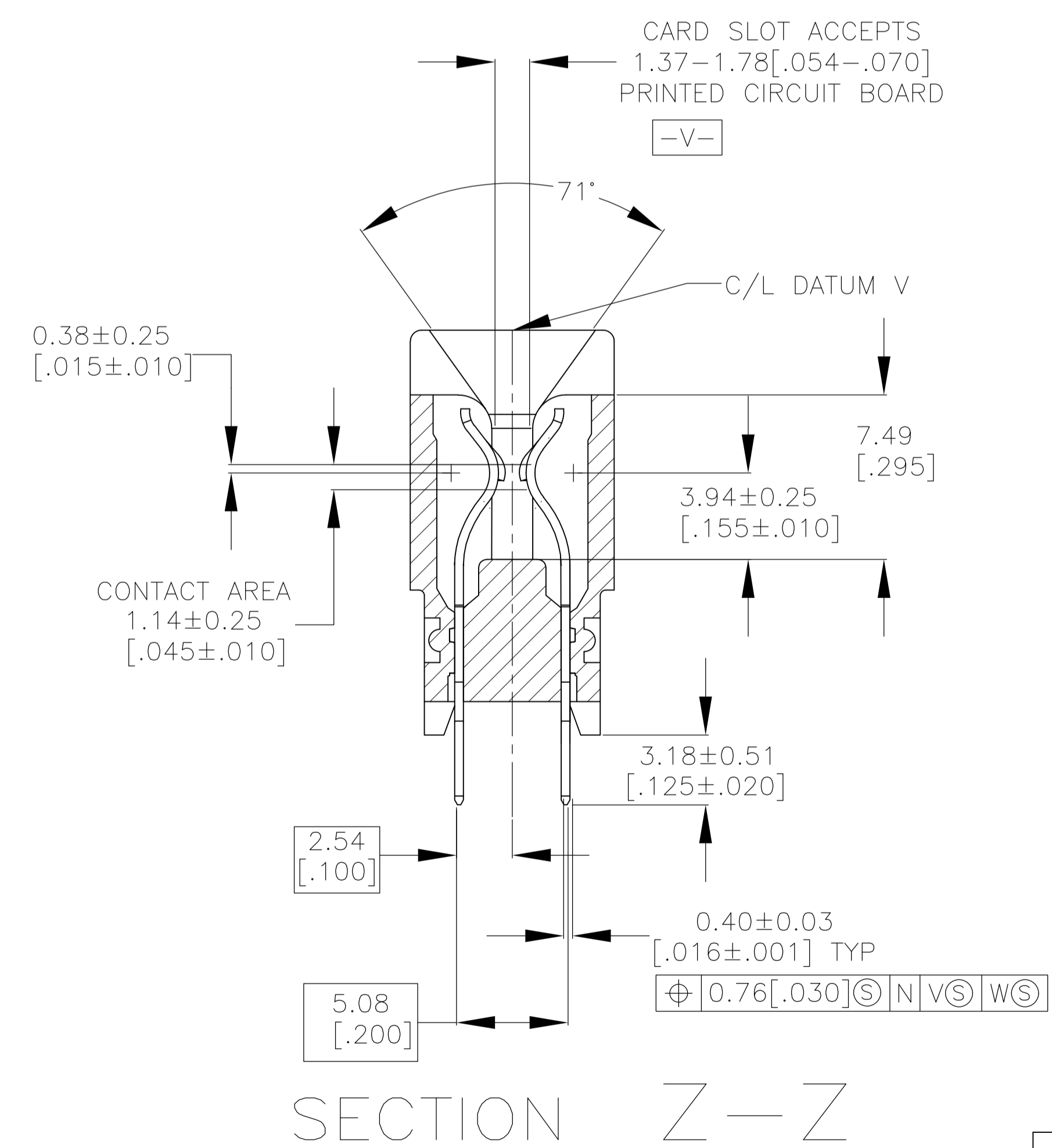
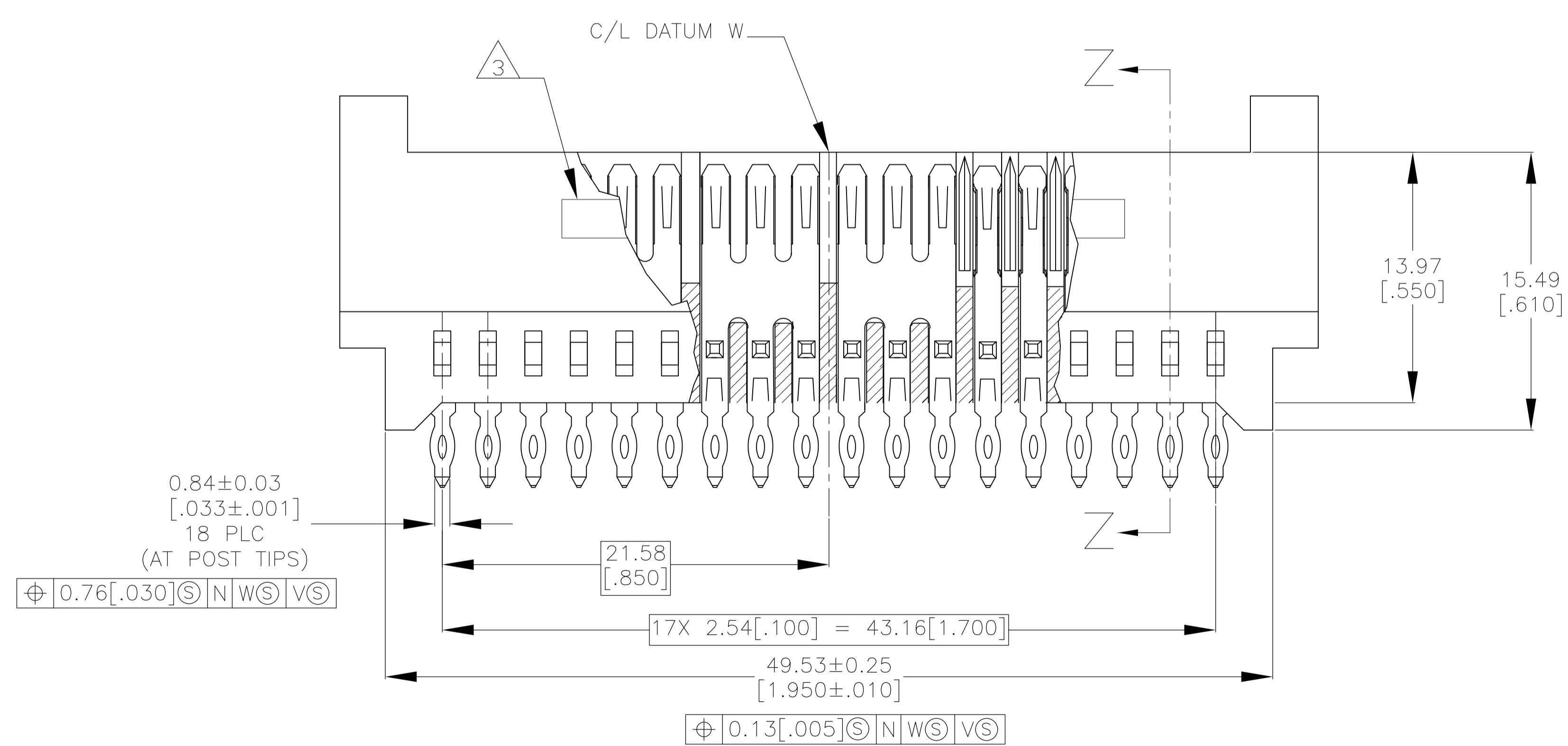


- HOUSING: GLASS FILLED POLYESTER, BLACK, IR REFLOW COMPATIBLE
CONTACT: HIGH CONDUCTIVITY COPPER ALLOY.
- NICKEL PLATE .00127 [0.00050] MIN - ALL OVER.
MATTE TIN PLATE .00254 [0.00100] MIN - SOLDER POSTS.
GOLD PLATE .00038 [0.00015] MIN - IN MATING AREA.
- TYCO ELECTRONICS PART NUMBER, AND DATE CODE MARKED IN APPROXIMATE AREA SHOWN, EITHER SIDE.
- DATUMS AND BASIC DIMENSIONS ESTABLISHED BY CUSTOMER.
- RECOMMENDED FINISHED HOLE SIZES

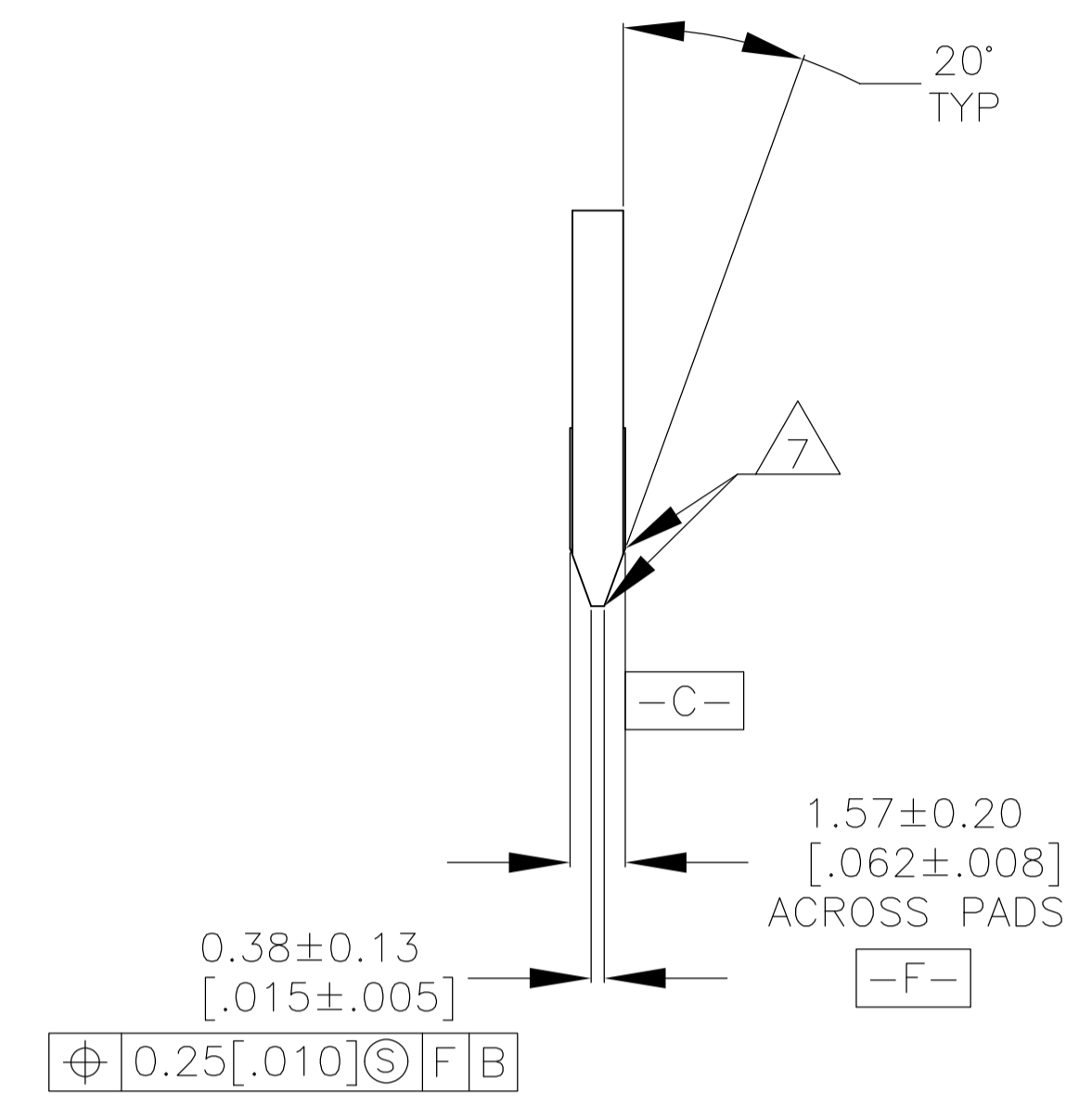
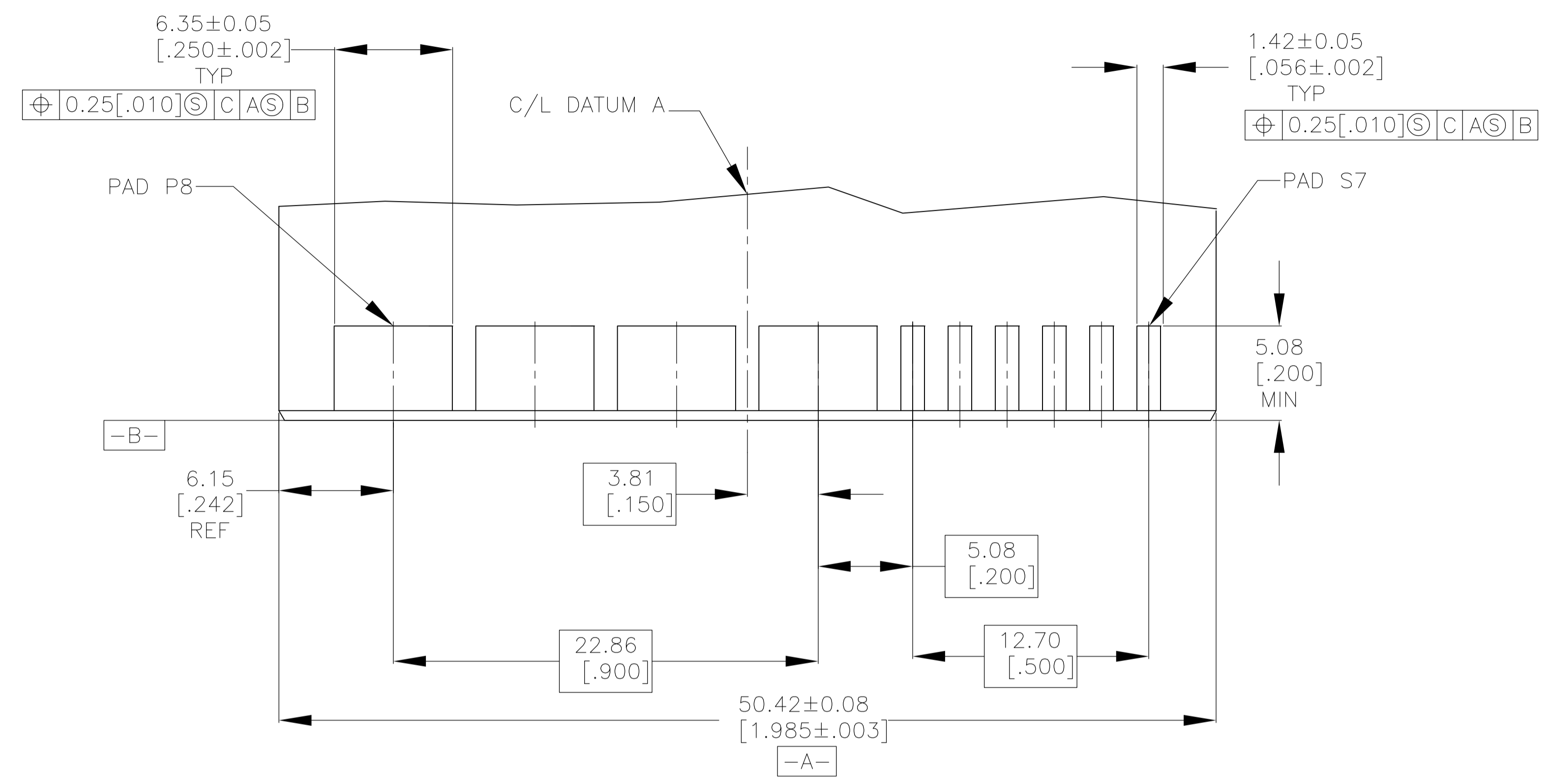
TIN PLATED HOLE	$\phi 1.02 \pm 0.08$ [0.040 ± 0.003]
GOLD PLATED HOLE	$\phi 1.07 \pm 0.05$ [0.042 ± 0.002]
- QUALIFICATION TESTING HAS NOT BEEN COMPLETED.
- CIRCUIT ENDS, ALONG THE EDGE OF THE MATING BOARD, SHOULD ALSO BE CHAMFERED AND BURR FREE.



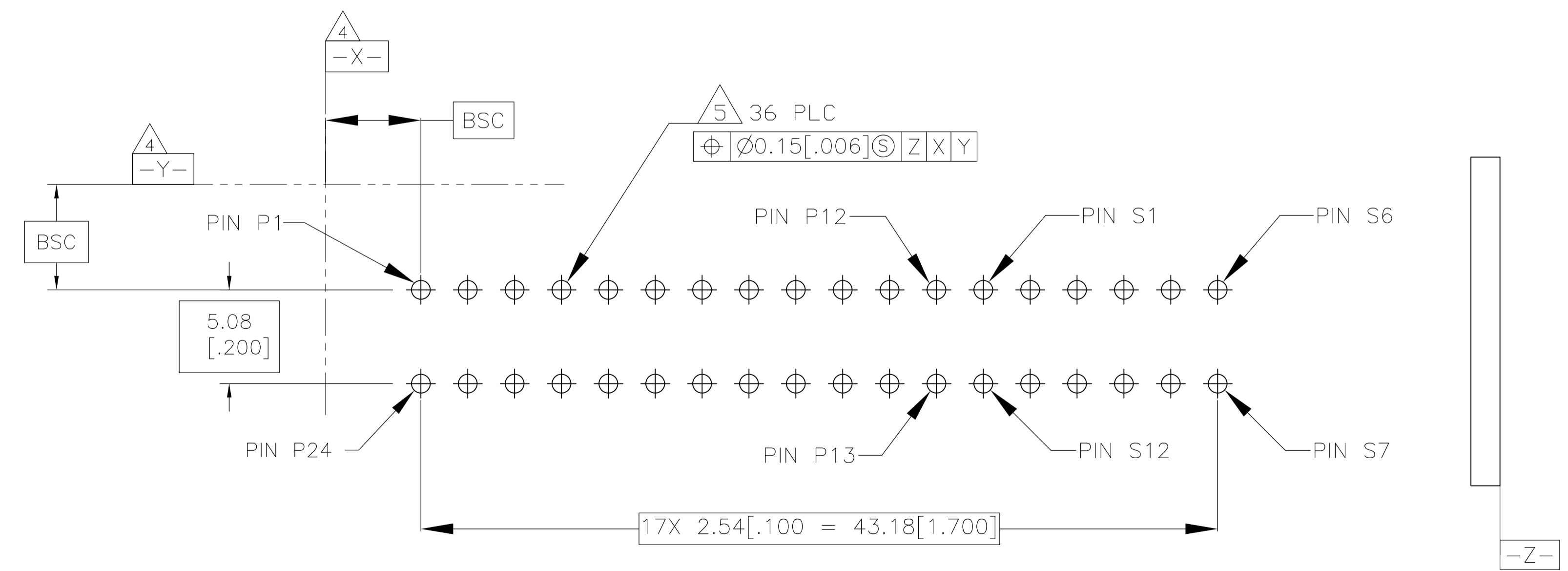
6	4	1761786-1
NO OF INDIVIDUAL POSITIONS	NO OF MULTIPLE POSITIONS	PART NUMBER

THIS DRAWING IS A CONTROLLED DOCUMENT.

DIMENSIONS:	TOLERANCES UNLESS OTHERWISE SPECIFIED:	DWN	AL FRANTUM	08 FEB 05	Tyco Electronics Corporation Middletown, PA 17057
MM (INCHES)	0 PLC ± - 1 PLC ± - 2 PLC ± 0.13[0.005] 3 PLC ± - 4 PLC ± - ANGLES ± °	CHK	AL FRANTUM	09 FEB 05	
MATERIAL	SEE NOTE 1	FINISH	SEE NOTE 2	APVD	S. FLICKINGER
WEIGHT	-	SIZE	A1	CAGE CODE	11JULY2006
CUSTOMER DRAWING	SCALE	DRAWING NO	1761786	NAME	CONNECTOR ASSEMBLY, SEC II POWER, DUAL POSITION, 2.54[.100] CENTERLINE, CARD EDGE
	5:1	RESTRICTED TO		PRODUCT SPEC	108-2208
	SHEET	1	2	APPLICATION SPEC	
	REV			DATE	



RECOMMENDED MATING BOARD EDGE CONFIGURATION
 TYP BOTH SIDES



RECOMMENDED PC BOARD HOLE LAYOUT

THIS DRAWING IS A CONTROLLED DOCUMENT.		DN AL FRANTUM 08 FEB 05	Tyco Electronics Corporation Middletown, PA 17057	
DIMENSIONS: MM (INCHES)		CHK AL FRANTUM 09 FEB 05	NAME	
TOLERANCES UNLESS OTHERWISE SPECIFIED:		APVD S FLICKINGER 11 JUL 2006	PRODUCT SPEC	
0 PLC ± -	1 PLC ± -	APPLICATION SPEC		
2 PLC ± 0.25 [.010]	3 PLC ± -	SIZE CASE CODE DRAWING NO		
4 PLC ± -	ANGLES ± °	RESTRICTED TO		
MATERIAL SEE PAGE 1	FINISH SEE PAGE 1	WEIGHT -	A1 00779 C=1761786	
CUSTOMER DRAWING		SCALE 5:1	SHEET 2 OF 2	REV C

X-ON Electronics

Largest Supplier of Electrical and Electronic Components

Click to view similar products for [Standard Card Edge Connectors](#) category:

Click to view products by [TE Connectivity](#) manufacturer:

Other Similar products are found below :

[CR7E-30DB-3.96E\(72\)](#) [6364499-1](#) [6565204-6](#) [PKC-156](#) [1437274-4](#) [147889-1](#) [1489165-4](#) [EBT15622B2X](#) [1-582587-1](#) [284-0102-12100](#)
[286-0052-12101A](#) [306022901000000](#) [307-012-502-202](#) [307-056-520-300](#) [2129318-1](#) [245-062-520-350](#) [287-0032-12101](#) [306-028-525-102](#)
[307-072-526-202](#) [345-060-559-303](#) [392-008-559-201](#) [534671-1](#) [341-240-317](#) [345-044-500-300](#) [346-240-318](#) [395-100-524-300](#) [09-07-2032](#)
[10035388-802LF](#) [10115859-011LF](#) [10122859-009LF](#) [10127905-B04B24BLF](#) [530555-1](#) [5-678046-1](#) [73726-0005](#) [66308-1](#) [1-1437275-6](#)
[PEC-07-02-T-S-A](#) [346-014-520-801](#) [307-048-502-202](#) [CE100F22-9-C](#) [CE100F26-7-C](#) [CE100F28-3-D](#) [CE156F18-9-C](#) [CE156F22-5-D](#)
[CE156F22-9-C](#) [CT100F22-2-D](#) [CT100F22-3-D](#) [CT100F24-2-D](#) [CT100F24-3-D](#) [CT100F24-6-C](#)