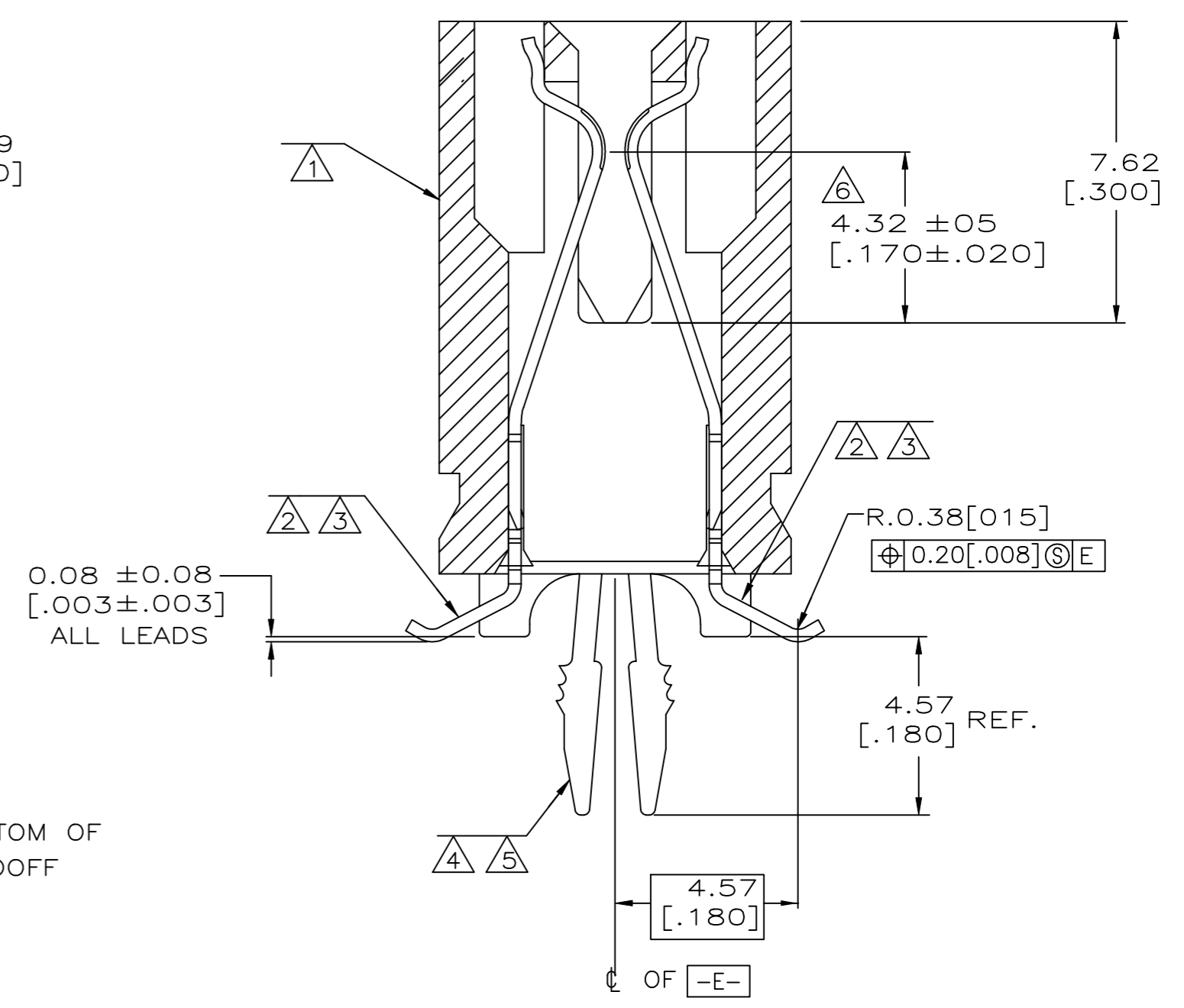
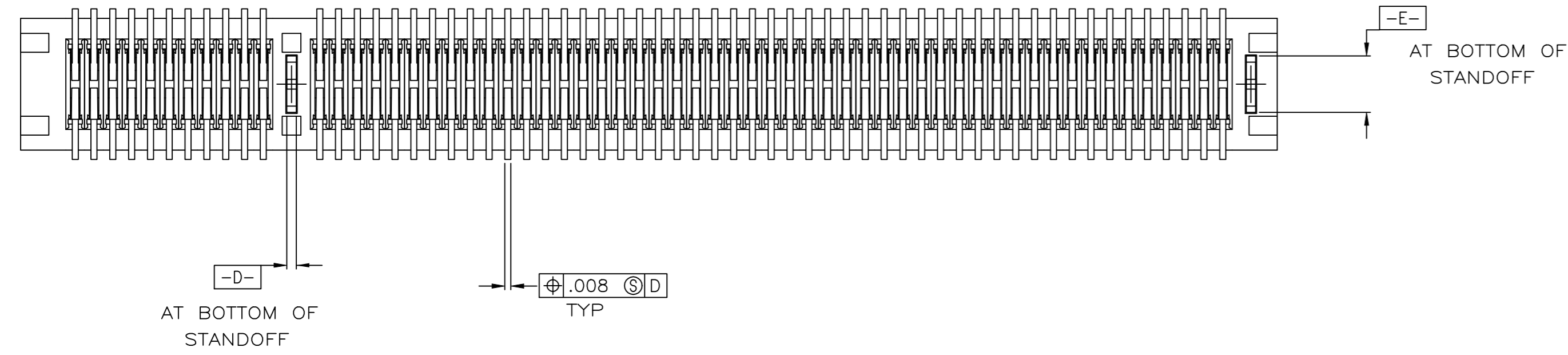
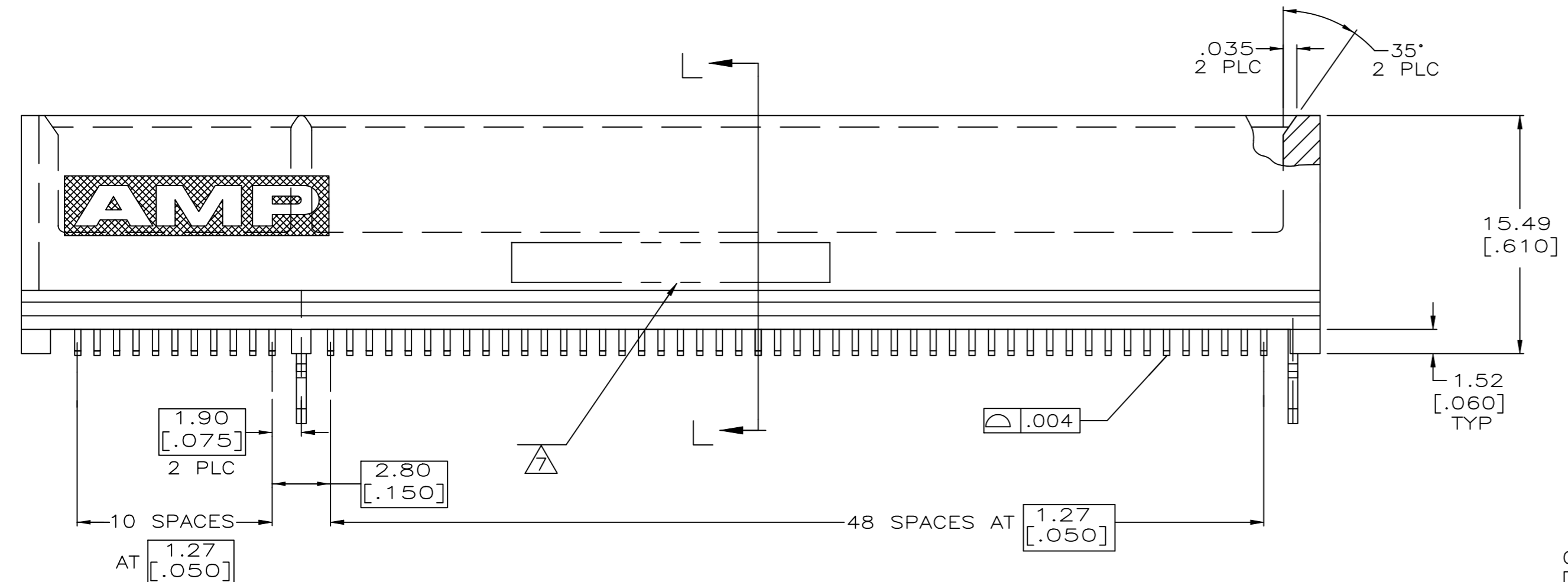
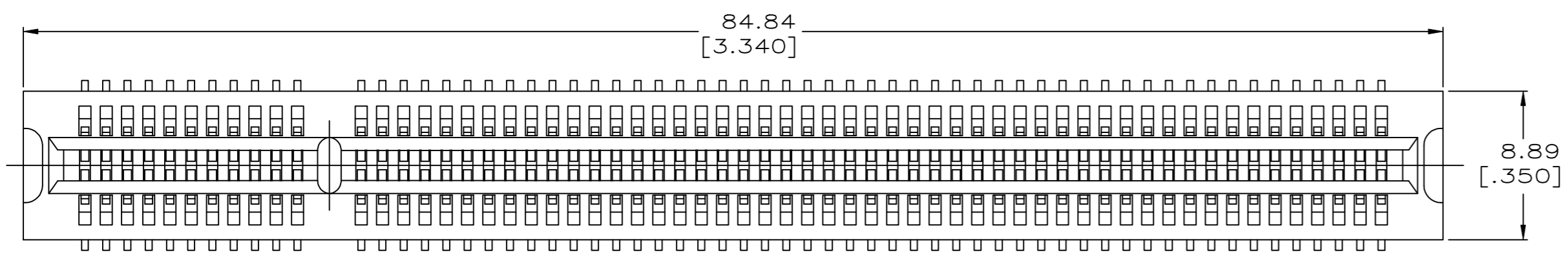


REVISIONS				
P	LNR	DESCRIPTION	DATE	OWN APVD
C		ECO-18-017215	03DEC2018	FL HL

- ① HOUSING: HIGH TEMPERATURE THERMOPLASTIC.
- ② CONTACT: PHOSPHOR BRONZE.
- ③ CONTACT FINISH: .000100 MIN NICKEL ALL OVER, .000030 MIN GOLD OVER NICKEL IN CONTACT AREA, .000100 MIN MATTE TIN OVER NICKEL ON SOLDER TAILS.
- ④ METAL HOLD DOWN: BRASS
- ⑤ METAL HOLD DOWN FINISH: .000050 MIN NICKEL ALL OVER, .000150 MIN MATTE TIN ALL OVER.
- ⑥ DISTANCE FROM CONTACT POINT TO BOTTOM OF CARD SLOT.
- ⑦ AMP PART NUMBER, DATE CODE AND CSA LOGO MARKED IN APPROXIMATE AREA SHOWN.

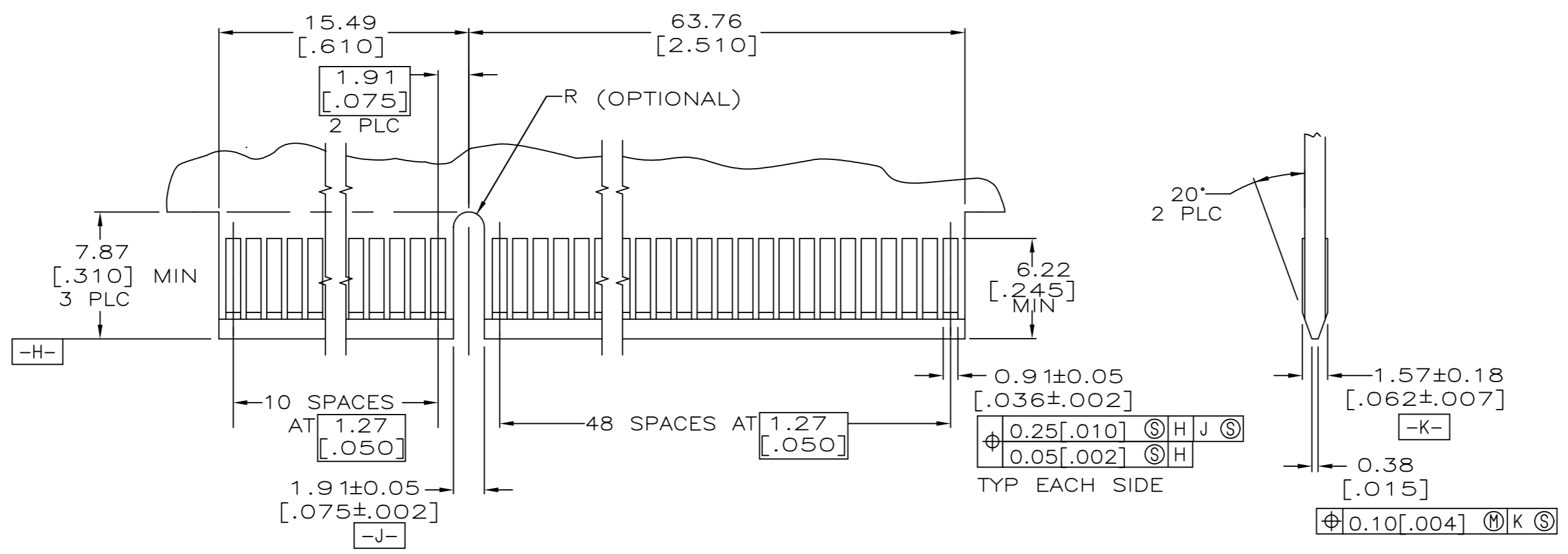


SECTION L-L  
SCALE 8:1

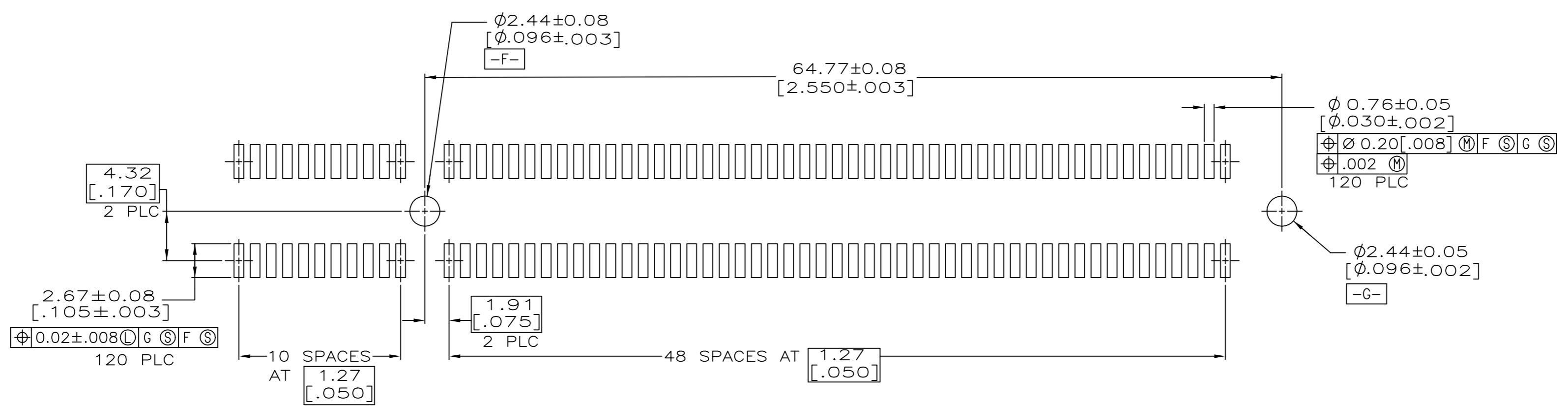
1761842-1 AS SHOWN

THIS DRAWING IS A CONTROLLED DOCUMENT.		OWN: AL FRANTUM 30 MAR 05	TE Connectivity Ltd.
		CHK: AL FRANTUM 30 MAR 05	
DIMENSIONS: mm		APVD: -	NAME: -
TOLERANCES UNLESS OTHERWISE SPECIFIED:		PRODUCT SPEC: 108-14034	
0 PLC ± -		APPLICATION SPEC: 114-13148	
1 PLC ± -		SIZE: A1	
2 PLC ± 0.13[.005]		CAGE CODE: 00779	
3 PLC ± -		DRAWING NO: 1761842	
4 PLC ± -		WEIGHT: -	
ANGLES: ± °		CUSTOMER DRAWING	
FINISH: ①②④ ③⑤		SCALE: 5:1	
		SHEET 1 OF 2	
		REV C	

REVISIONS				
P	LTR	DESCRIPTION	DATE	OWN APVD
-	-	SEE SHEET 1	-	-



RECOMMENDED MATING BOARD EDGE CONFIGURATION



RECOMMENDED PC BOARD PATTERN  
(CONNECTOR SIDE SHOWN)

THIS DRAWING IS A CONTROLLED DOCUMENT.		OWN: AL FRANTUM 30 MAR 05	TE Connectivity Ltd.	
		CHK: AL FRANTUM 30 MAR 05		
DIMENSIONS: mm		APVD:	NAME: CONNECTOR ASSEMBLY, 60 DUAL POSITION, .050 SERIES, STANDARD EDGE, SURFACE MOUNT	
TOLERANCES UNLESS OTHERWISE SPECIFIED: 0 PLC ± - 1 PLC ± - 2 PLC ± 0.13 [0.005] 3 PLC ± - 4 PLC ± - ANGLES ± °		PRODUCT SPEC: 108-14034	RESTRICTED TO:	
MATERIAL:		APPLICATION SPEC: 114-13148	SIZE: A1	CAGE CODE: 00779
		FINISH:	SCALE: 5:1	SHEET: 2 OF 2
		CUSTOMER DRAWING	SCALE: 5:1	REV: C

## X-ON Electronics

Largest Supplier of Electrical and Electronic Components

*Click to view similar products for [PCI Express/PCI Connectors](#) category:*

*Click to view products by [TE Connectivity](#) manufacturer:*

Other Similar products are found below :

[UEX220-6U](#) [1-1871239-2](#) [2170560-2](#) [10125756-980000LF](#) [EB220-3U](#) [10061913-120PLF](#) [GPCP146400111HR](#) [205058-1001](#)  
[GPCP442628110HR](#) [GPCP446200120HR](#) [GPCP245400111HR](#) [10082378-10000TLF](#) [87715-9256](#) [MDT580M03001](#) [MDT580M01001](#)  
[10018783-11000MLF](#) [10108777-10000ALF](#) [10141523-111T0LF](#) [10145445-10003MLF](#) [10146070-112Y0LF](#) [10150657-052R0LF](#) [1761842-1](#)  
[10018783-11112TLF](#) [1-2199119-6](#) [74540-0201](#) [74540-0501](#) [7-1734774-7](#) [3-1761465-1](#) [10018784-10111TLF](#) [10039755-10111TLF](#)  
[10039755-10112TLF](#) [10018783-10211TLF](#) [10018784-10211TLF](#) [10018784-10212TLF](#) [1761465-2](#) [87715-9202](#) [87715-9208](#) [1871058-1](#) [5-](#)  
[1761465-4](#) [10018783-10200MLF](#) [10018783-10213TLF](#) [10018784-10210TLF](#) [10018784-11113TLF](#) [PCIE-164-02-S-D-EMS3](#) [10025026-](#)  
[10001TLF](#) [5145154-8](#) [1871058-4](#) [87715-9203](#) [87715-9309](#) [3690-18](#)