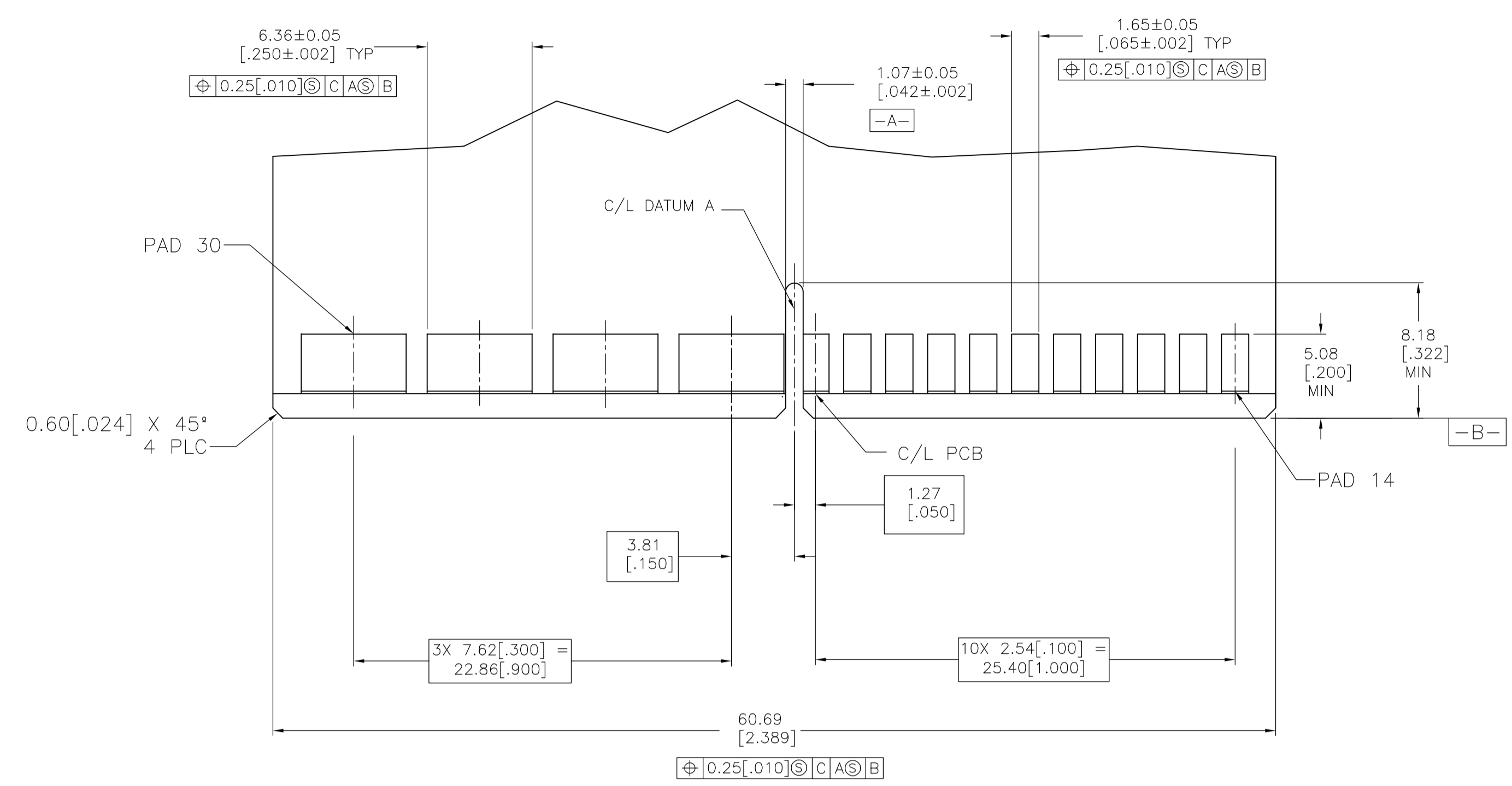


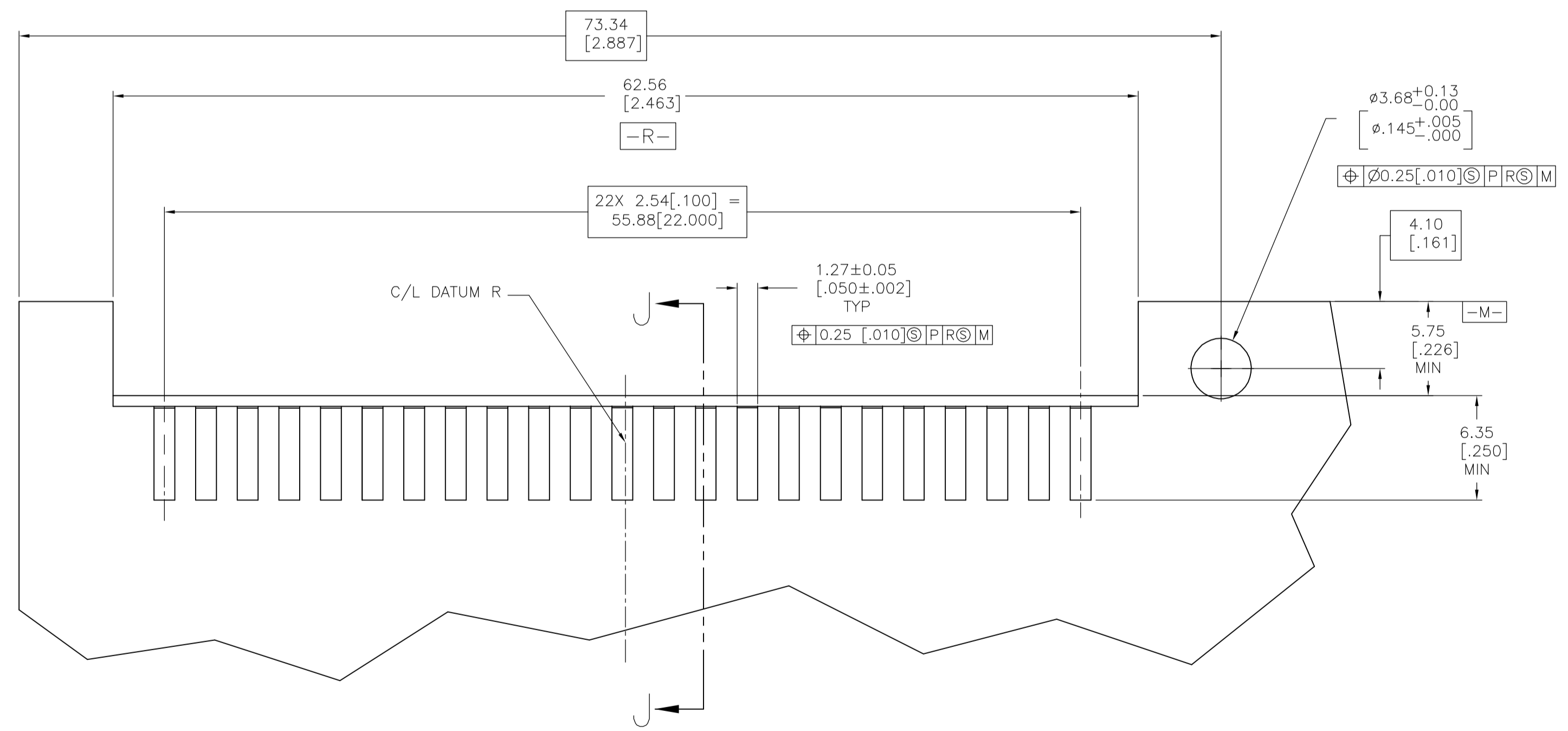
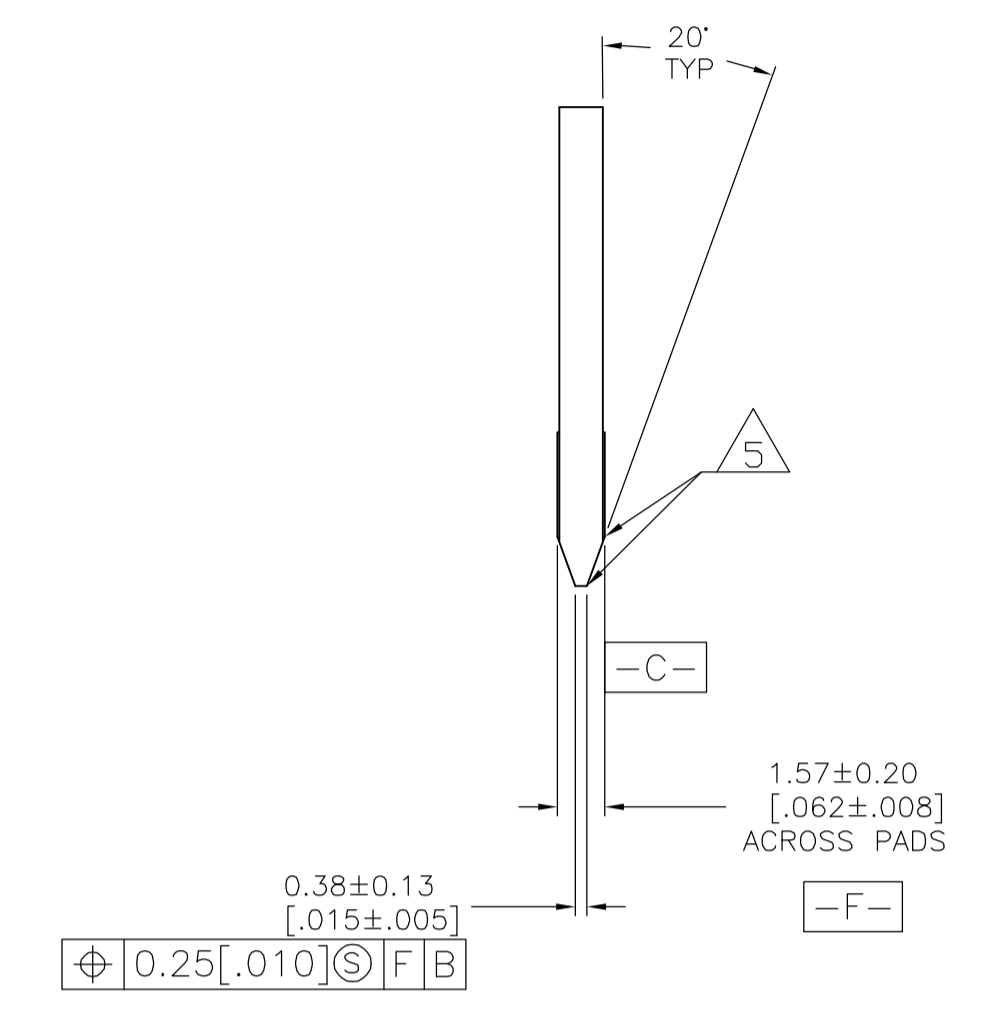
- HOUSING MATERIAL: GLASS FILLED POLYESTER, COLOR: BLACK
- CONTACT BASE MATERIAL: HIGH CONDUCTIVITY COPPER ALLOY
- CONTACT FINISH: NICKEL PLATE, .00127 [.000050] MIN, ALL OVER OVER MATTE TIN PLATE, .00254 [.000100] MIN ON SOLDER POSTS, GOLD PLATE, .00076 [.000030] MIN IN MATING INTERFACE
- AMP PART NUMBER AND DATE CODE MARKED IN APPROXIMATE AREA SHOWN
- NO BURRS AND/OR SHARP EDGES ARE PERMISSABLE

11	4	1761879-1
NO OF SINGLE POSITIONS	NO OF MULTIPLE POSITIONS	PART NUMBER

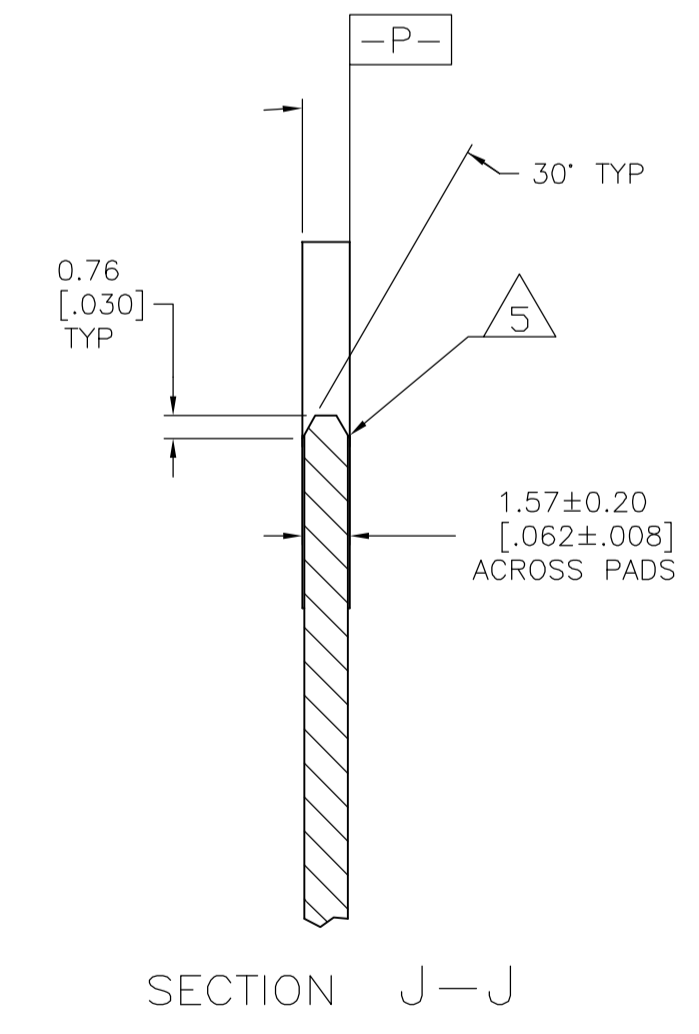
THIS DRAWING IS A CONTROLLED DOCUMENT.		DWN AL FRANTUM 18 APR 05	Tyco Electronics Corporation Middletown, PA 17057
DIMENSIONS: MM [INCHES]		CHK AL FRANTUM 18 APR 05	
TOLERANCES UNLESS OTHERWISE SPECIFIED:		APVD S. FLICKINGER 17JULY2006	NAME CONNECTOR ASSEMBLY, SEC II POWER, DUAL POSITION, 2.54 [.100] CENTERLINE, CARD EDGE
0 PLC ± - 1 PLC ± - 2 PLC ± 0.13 [.005] 3 PLC ± - 4 PLC ± - ANGLES ± 1°		PRODUCT SPEC 108-2202	
MATERIAL SEE NOTE 1 & 2	FINISH SEE NOTE 3	WEIGHT -	RESTRICTED TO
CUSTOMER DRAWING		SIZE A1	SCALE 4:1
		DATE CODE 00779	SHEET 1 OF 2
		DRAWING NO. 1761879	REV B



RECOMMENDED MATING BOARD EDGE CONFIGURATION  
 TYP BOTH SIDES



RECOMMENDED PC BOARD LAYOUT FOR CONNECTOR MOUNTING  
 TYP BOTH SIDES



SECTION J-J

THIS DRAWING IS A CONTROLLED DOCUMENT.		DIN AL FRANTUM 18 APR 05		Tyco Electronics Corporation
		CHK AL FRANTUM 18 APR 05		Middletown, PA 17057
DIMENSIONS:	TOLERANCES UNLESS OTHERWISE SPECIFIED:	APVD S. FLICKINGER 17JULY2006	NAME	CONNECTOR ASSEMBLY,
MM [INCHES]	0 PLC ± -	PRODUCT SPEC	108-2202	SEC II POWER, DUAL POSITION,
	1 PLC ± -	APPLICATION SPEC		2.54 [0.100] CENTERLINE, CARD EDGE
	2 PLC ± ± 28 [0.10]	SIZE	A1	
	3 PLC ± -	WEIGHT	00779	
	4 PLC ± -	CUSTOMER DRAWING	1761879	
	ANGLES ± 1°	SCALE	4:1	
MATERIAL SEE SHEET 1	FINISH SEE SHEET 1	SHEET	2	OF 2
		REV		

## X-ON Electronics

Largest Supplier of Electrical and Electronic Components

*Click to view similar products for [Power to the Board](#) category:*

*Click to view products by [TE Connectivity](#) manufacturer:*

Other Similar products are found below :

[6450171-4](#) [6450552-7](#) [6600323-8](#) [6643429-1](#) [6646040-2](#) [6651939-1](#) [6766604-1](#) [120959-1](#) [1393557-2](#) [1393532-2](#) [1393532-3](#) [1393532-4](#)  
[1393557-1](#) [1600812-5](#) [1-6450861-2](#) [1744132-7](#) [1761122-1](#) [1766250-1](#) [1892109-1](#) [2-6450860-5](#) [2-6450870-0](#) [1-6450161-4](#) [1-6450850-6](#) [1-6450869-6](#) [1645526-2](#) [1-6600130-0](#) [2005243-2](#) [377-0020-11130](#) [TE34-12-16P-F0](#) [5-6450830-6](#) [5646956-4](#) [377-0080-11131A](#) [4-6450830-9](#)  
[4-6600333-3](#) [10125416-4050LF](#) [6600320-3](#) [3-6450860-5](#) [1888123-2](#) [6450166-1](#) [6643978-1](#) [6766605-1](#) [701-15-02109](#) [N11444](#) [6651938-1](#)  
[6450810-7](#) [46437-1112](#) [1-1589677-8](#) [5646956-5](#) [6450813-2](#) [6450129-4](#)