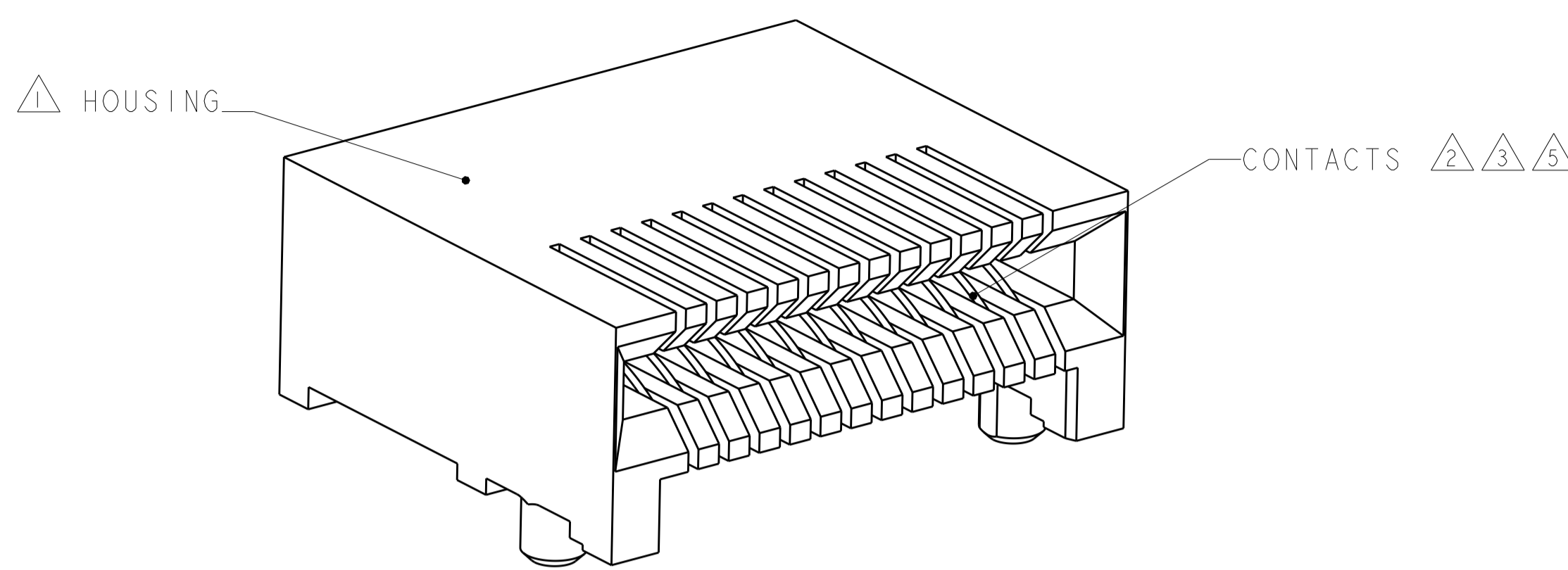
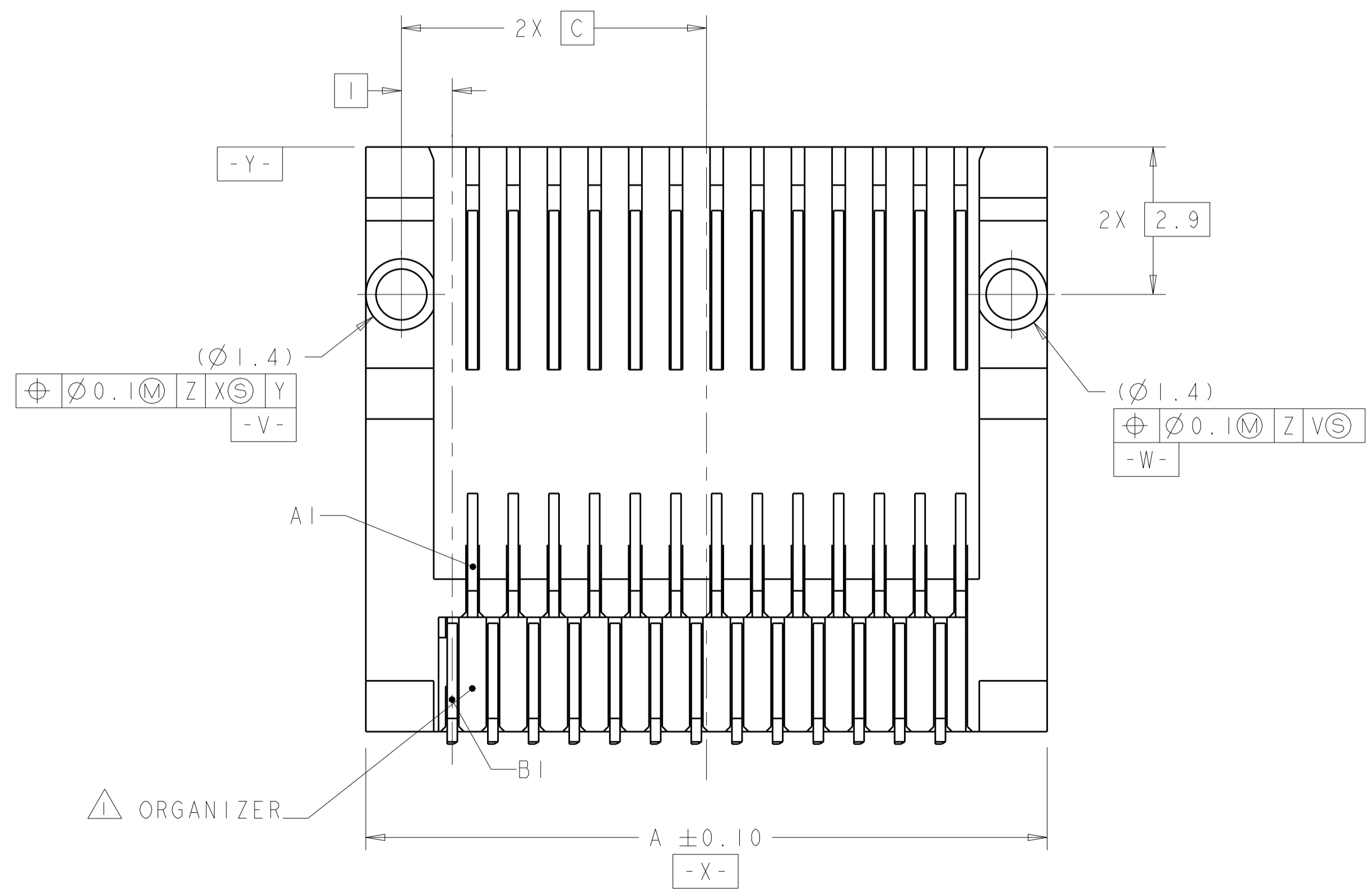
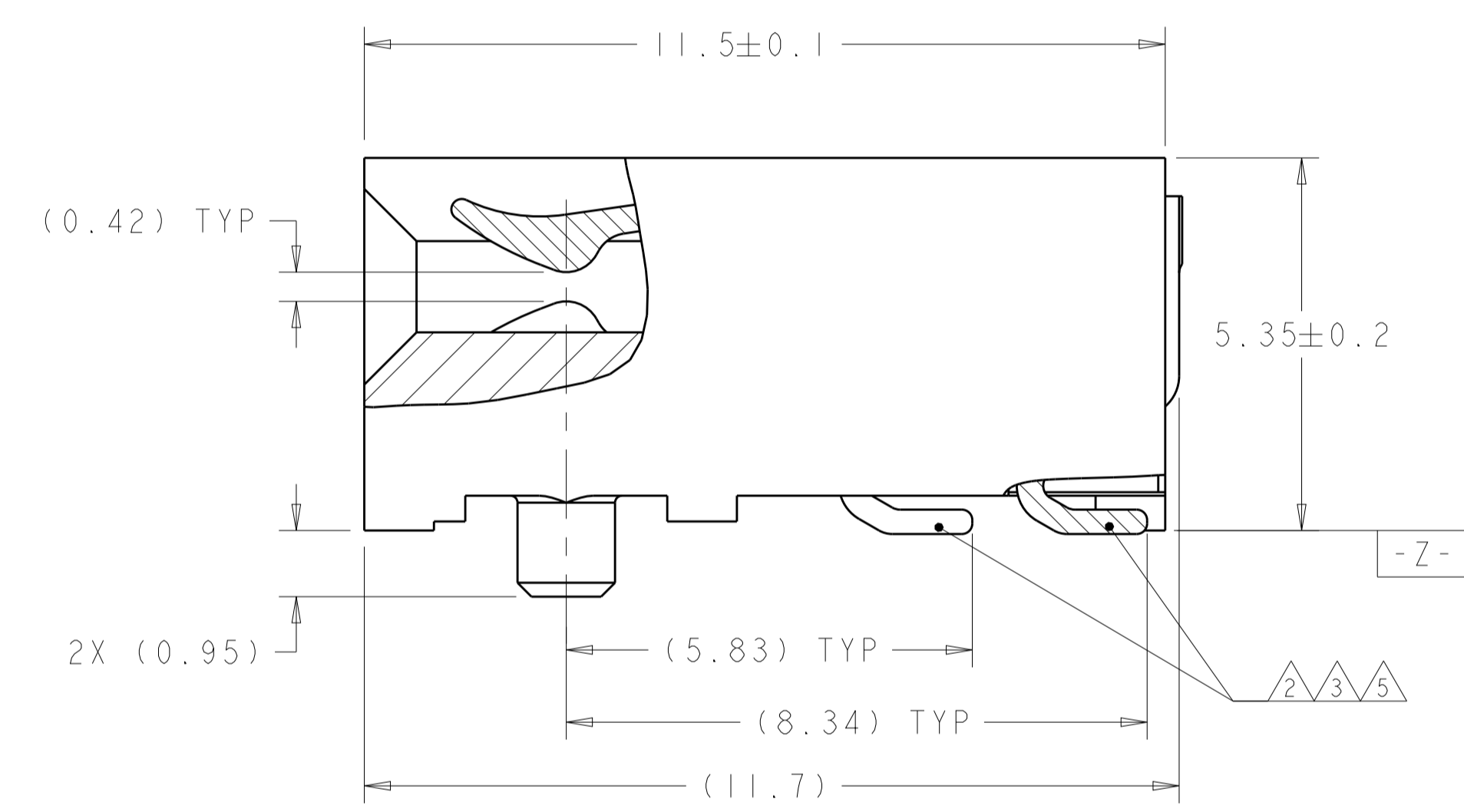
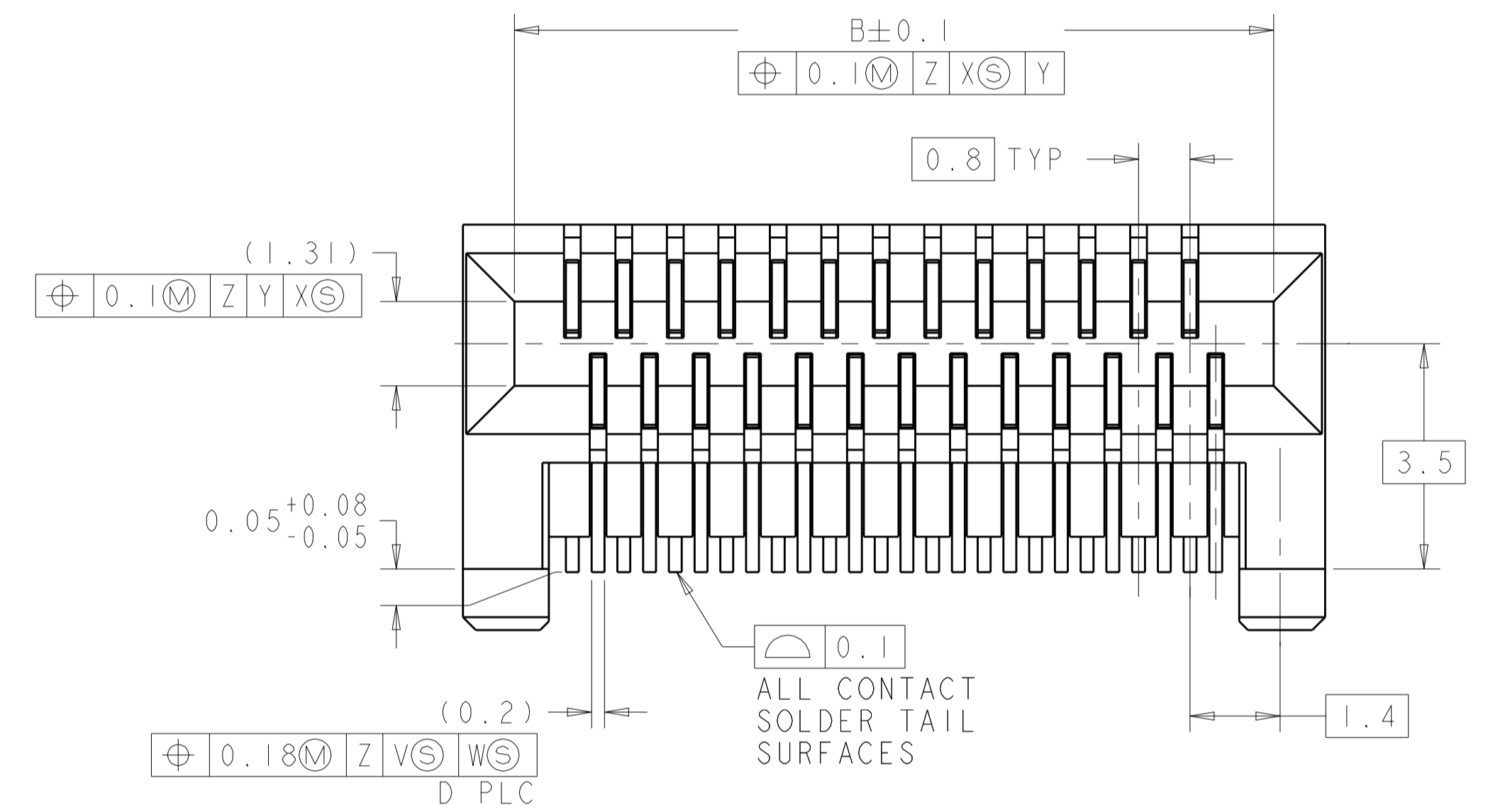


LOC	DIST	REVISIONS			
P	LTN	DESCRIPTION	DATE	DWN	APVD
A2		REVISED PER ECO-11-004835	11MAR2011	RK	HMR
A3		REVISED PER ECO-14-010818	27OCT2016	RG	SH
B		REVISED PER ECO-17-017261	02MAY2018	TX	SH



26 POSITION RECEPTACLE
SCALE 9:1

- △ MATERIAL: LCP, BLACK.
- △ MATERIAL: PHOSPHOR BRONZE PER ASTM B 103.
- △ FINISH: 0.76µm MIN GOLD PLATE PER ASTM B 488, APPLIES TO INTERFACE AREA AND 2.03µm MIN TIN PLATE SOLDER TAILS, ALL OVER 3.81µm MIN NICKEL PLATE PER QQ-N-290.
- △ DATUM AND BASIC DIMENSION ESTABLISHED BY CUSTOMER.
- △ FINISH: 0.38µm MIN GOLD PLATE PER ASTM B 488, APPLIES TO INTERFACE AREA AND 2.03µm MIN TIN PLATE SOLDER TAILS, ALL OVER 3.81µm MIN NICKEL PLATE PER QQ-N-290.



FINISH	PACKAGING	FINISH				PACKAGING			PART NUMBER
		E	D	C	B	A	POSN		
△ 5	TAPE AND REEL	16.80	38	8.40	16.60	18.20	38	1-1761987-8	
		16.00	36	8.00	15.80	17.40	36	1-1761987-7	
		12.00	26	6.00	11.80	13.40	26	1-1761987-6	
	TUBE	28.80	68	14.80	28.60	30.20	68	1-1761987-5	
		16.80	38	8.40	16.60	18.10	38	1-1761987-4	
		23.20	54	11.60	23.00	24.60	54	1-1761987-3	
△ 3	TAPE AND REEL	16.80	38	8.40	16.60	18.20	38	1761987-9	
		16.00	36	8.00	15.80	17.40	36	1761987-8	
		12.00	26	6.00	11.80	13.40	26	1761987-7	
	TUBE	28.80	68	14.80	28.60	30.20	68	1761987-6	
		16.80	38	8.40	16.60	18.20	38	1761987-5	
		23.20	54	11.60	23.00	24.60	54	1761987-4	
		16.00	36	8.00	15.80	17.40	36	1761987-2	
		12.00	26	6.00	11.80	13.40	26	1761987-1	

THIS DRAWING IS A CONTROLLED DOCUMENT.

DIMENSIONS: mm

TOLERANCES UNLESS OTHERWISE SPECIFIED:

MATERIAL: SEE NOTES

FINISH: SEE TABLE

DATE: 28JUN2005

CHK: R.R. HENRY

APVD: R.R. HENRY

PRODUCT SPEC: 108-2234

APPLICATION SPEC:

WEIGHT:

CUSTOMER DRAWING

SCALE: 12:1

SHEET 1 OF 2

REV B

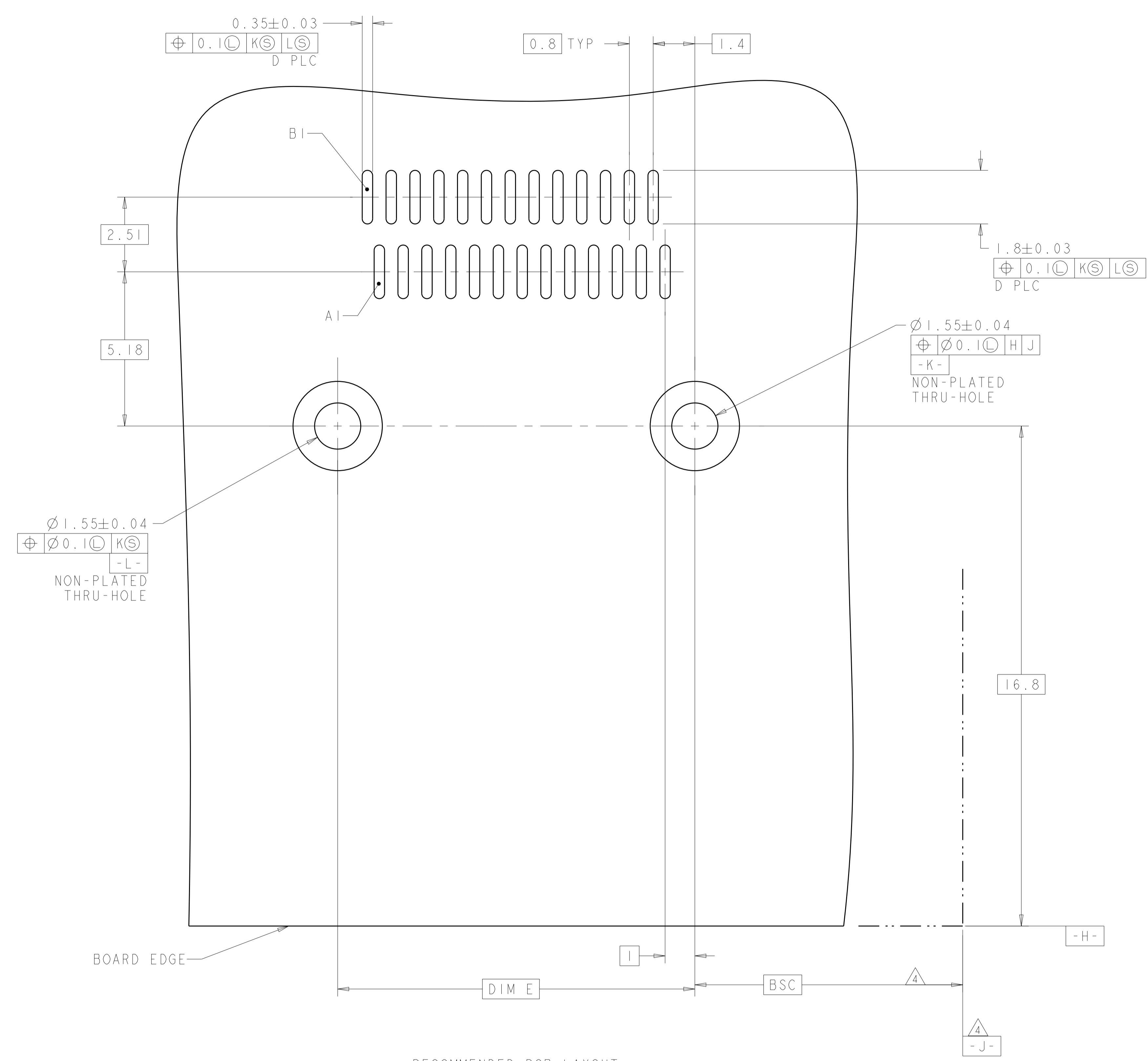
EVERCLEAR Mini-SAS RECEPTACLE CONNECTOR ASSEMBLY, RIGHT ANGLE, SURFACE MOUNT

SIZE: A100779

CAGE CODE: 1761987

RESTRICTED TO:

LOC	DIST	REVISIONS					
GP	00	P	LTN	DESCRIPTION	DATE	DMN	APVD
		-		SEE SHEET 1			



RECOMMENDED PCB LAYOUT

THIS DRAWING IS A CONTROLLED DOCUMENT.		DMN M.E. CONHEB 28JUN2005	TE Connectivity														
DIMENSIONS: mm		CHK R.R. HENRY 28JUN2005															
TOLERANCES UNLESS OTHERWISE SPECIFIED:		APVD R.R. HENRY 28JUN2005	NAME EVERCLEAR Mini-SAS RECEPTACLE CONNECTOR ASSEMBLY, RIGHT ANGLE, SURFACE MOUNT														
<table border="1"> <tr><td>0 PLC</td><td>±</td></tr> <tr><td>1 PLC</td><td>±</td></tr> <tr><td>2 PLC</td><td>±</td></tr> <tr><td>3 PLC</td><td>±</td></tr> <tr><td>4 PLC</td><td>±</td></tr> <tr><td>ANGLES</td><td>±</td></tr> <tr><td>FINISH</td><td>±</td></tr> </table>		0 PLC	±	1 PLC	±	2 PLC	±	3 PLC	±	4 PLC	±	ANGLES	±	FINISH	±	PRODUCT SPEC 108-2234	RESTRICTED TO
0 PLC	±																
1 PLC	±																
2 PLC	±																
3 PLC	±																
4 PLC	±																
ANGLES	±																
FINISH	±																
MATERIAL		APPLICATION SPEC	SIZE CAGE CODE DRAWING NO. A100779C=1761987														
		WEIGHT	SCALE 12:1 SHEET 2 OF 2 REV B														
		CUSTOMER DRAWING															

X-ON Electronics

Largest Supplier of Electrical and Electronic Components

Click to view similar products for [I/O Connectors](#) category:

Click to view products by [TE Connectivity](#) manufacturer:

Other Similar products are found below :

[571763P](#) [72.250.1628.2](#) [72.250.2428.2](#) [74720-0505](#) [76.350.0729.0](#) [76871-1403](#) [FCN-244F080-G/1](#) [FCN-260A9920](#) [MP-5T180MUNNA-005](#)
[PCR-E36PM](#) [PCS-XE26MA+](#) [G38A71314B](#) [1571250010](#) [157-22500-3](#) [MS3471L14-19P L/C](#) [91-569786-35H](#) [172501-4002](#) [172501-6002](#)
[FCN-260C008-A/L0](#) [FCN-260C024-AL0](#) [FCN-261Z008](#) [2000314-1](#) [200331-1](#) [PCR-E36FC+](#) [PCS-E28FS+](#) [PCS-XE26SLFD+](#) [PCS-](#)
[XE26SLFDT+](#) [G730VID08BDC24](#) [U90B2054081210](#) [UE86K842720321](#) [38113800006](#) [DP3AR020WQ1R200](#) [Z4.102.0680.0](#) [500-1040](#)
[500-1052](#) [500-1054](#) [ZP-4008-66L](#) [0709821002](#) [10-565995-597N](#) [DX40-20P\(55\)](#) [5554841-1](#) [U90B3054061110](#) [U65-E04-4020](#)
[ZPF00000000097891](#) [557-262M2-06C](#) [747360449](#) [10099439-003C-TRLF](#) [10137239-0021LF](#) [E9320-001-01](#) [10137239-0011LF](#)