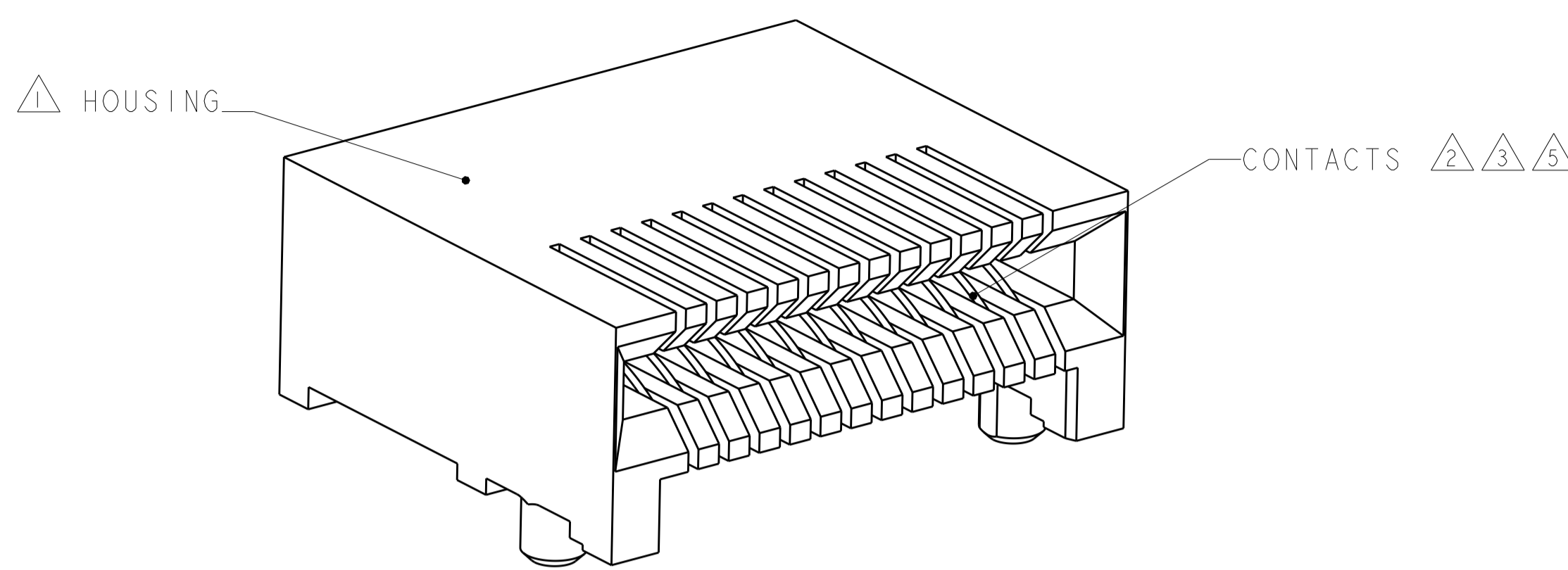
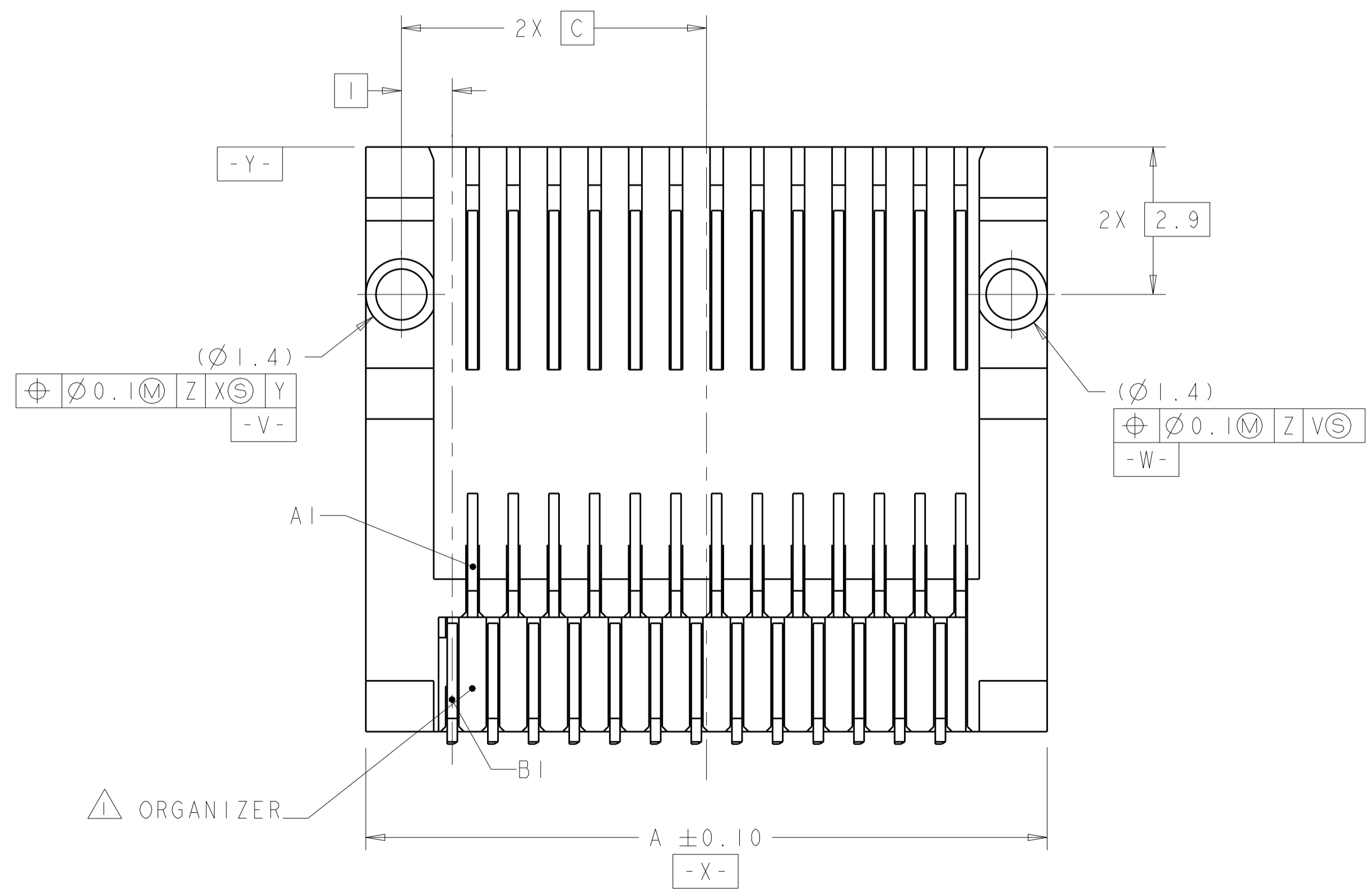
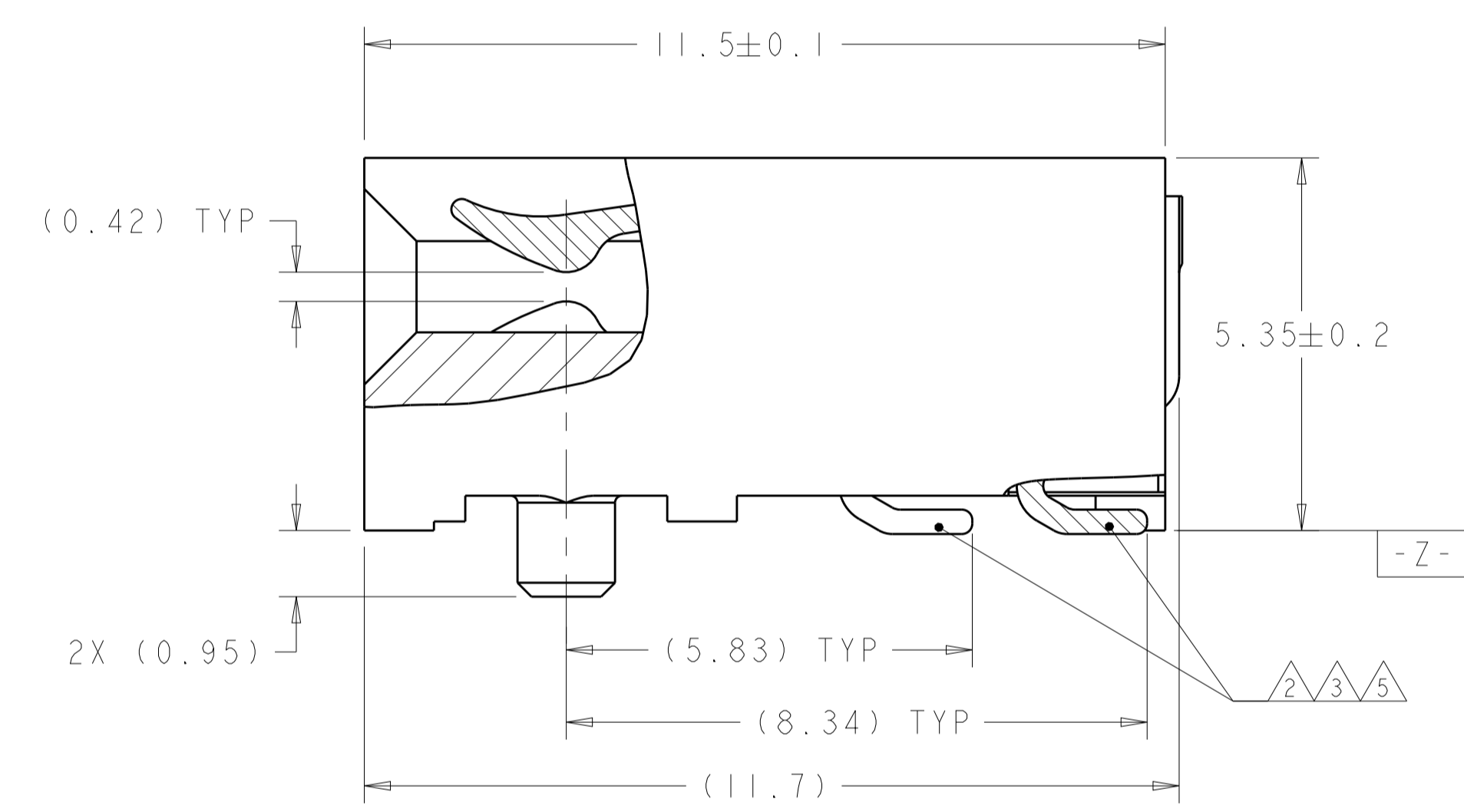
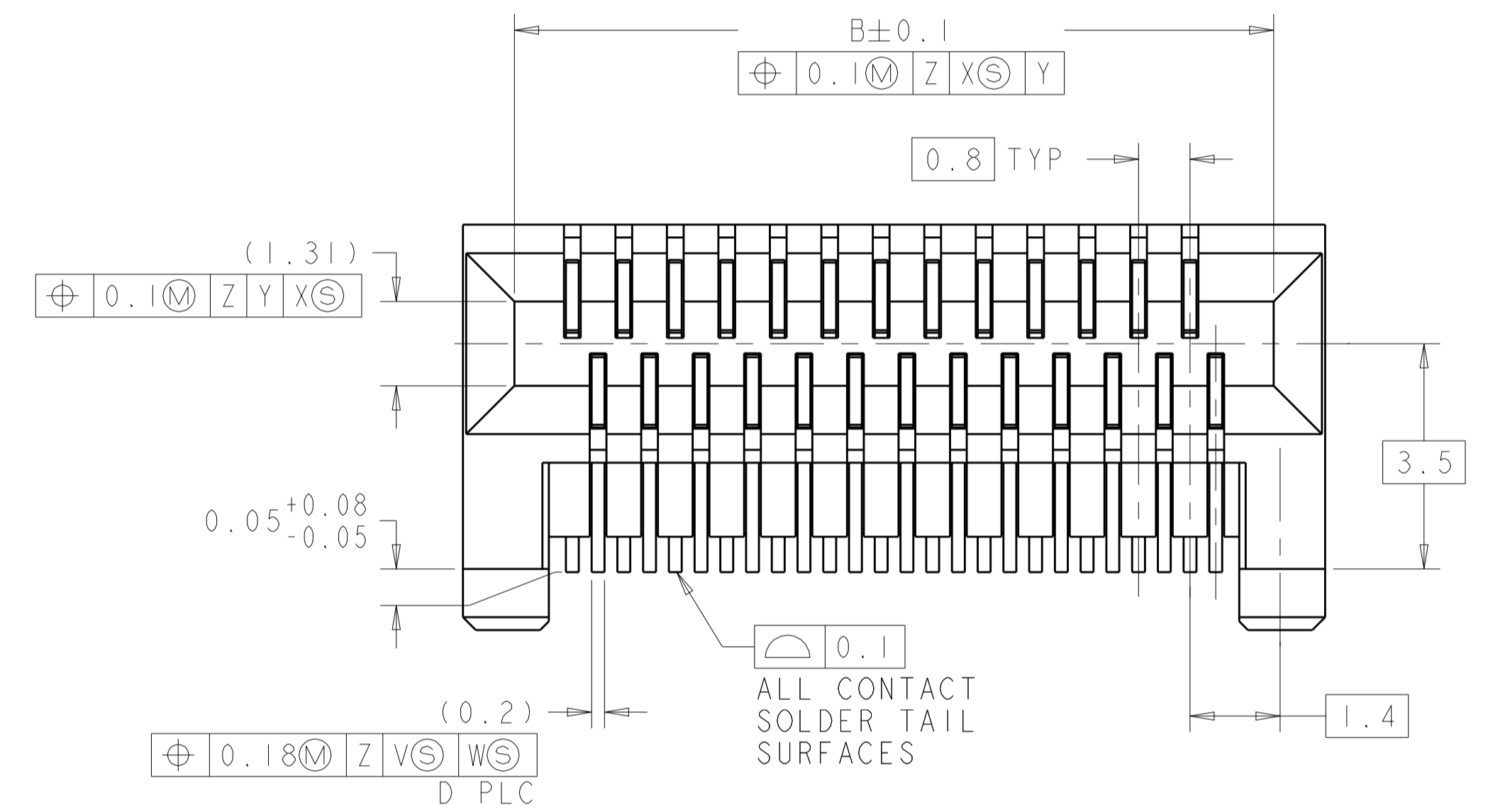


LOC		DIST		REVISIONS			
GP	00	P	LTN	DESCRIPTION	DATE	DWN	APVD
		A2		REVISED PER ECO-11-004835	11MAR2011	RK	HMR
		A3		REVISED PER ECO-14-010818	27OCT2016	RG	SH
		B		REVISED PER ECO-17-017261	02MAY2018	TX	SH



26 POSITION RECEPTACLE
 SCALE 9:1

- 1 MATERIAL: LCP, BLACK.
- 2 MATERIAL: PHOSPHOR BRONZE PER ASTM B 103.
- 3 FINISH: 0.76µm MIN GOLD PLATE PER ASTM B 488, APPLIES TO INTERFACE AREA AND 2.03µm MIN TIN PLATE SOLDER TAILS, ALL OVER 3.81µm MIN NICKEL PLATE PER QQ-N-290.
- 4 DATUM AND BASIC DIMENSION ESTABLISHED BY CUSTOMER.
- 5 FINISH: 0.38µm MIN GOLD PLATE PER ASTM B 488, APPLIES TO INTERFACE AREA AND 2.03µm MIN TIN PLATE SOLDER TAILS, ALL OVER 3.81µm MIN NICKEL PLATE PER QQ-N-290.



FINISH	PACKAGING	E		D		C		B		A		POSN	PART NUMBER
		16.80	38	8.40	16.60	18.20	38	1-1761987-8					
5	TAPE AND REEL	16.00	36	8.00	15.80	17.40	36	1-1761987-7					
		12.00	26	6.00	11.80	13.40	26	1-1761987-6					
		28.80	68	14.80	28.60	30.20	68	1-1761987-5					
		16.80	38	8.40	16.60	18.10	38	1-1761987-4					
		23.20	54	11.60	23.00	24.60	54	1-1761987-3					
	TUBE	21.60	50	10.80	21.40	23.00	50	1-1761987-2					
		16.00	36	8.00	15.80	17.40	36	1-1761987-1					
		12.00	26	6.00	11.80	13.40	26	1-1761987-0					
		3	TAPE AND REEL	16.80	38	8.40	16.60	18.20	38	1761987-9			
				16.00	36	8.00	15.80	17.40	36	1761987-8			
12.00	26			6.00	11.80	13.40	26	1761987-7					
28.80	68			14.80	28.60	30.20	68	1761987-6					
16.80	38			8.40	16.60	18.20	38	1761987-5					
TUBE	23.20		54	11.60	23.00	24.60	54	1761987-4					
	21.60		50	10.80	21.40	23.00	50	1761987-3					
	16.00		36	8.00	15.80	17.40	36	1761987-2					
	12.00		26	6.00	11.80	13.40	26	1761987-1					

THIS DRAWING IS A CONTROLLED DOCUMENT. DWN: M.E. CONHEP, 28JUN2005
 CHK: R.R. HENRY, 28JUN2005
 APVD: R.R. HENRY, 28JUN2005

DIMENSIONS: mm
 TOLERANCES UNLESS OTHERWISE SPECIFIED:
 0 PLC ±
 1 PLC ±
 2 PLC ±
 3 PLC ±
 4 PLC ±
 ANGLES ±

MATERIAL: SEE NOTES
 FINISH: SEE TABLE

WEIGHT: -
 CUSTOMER DRAWING

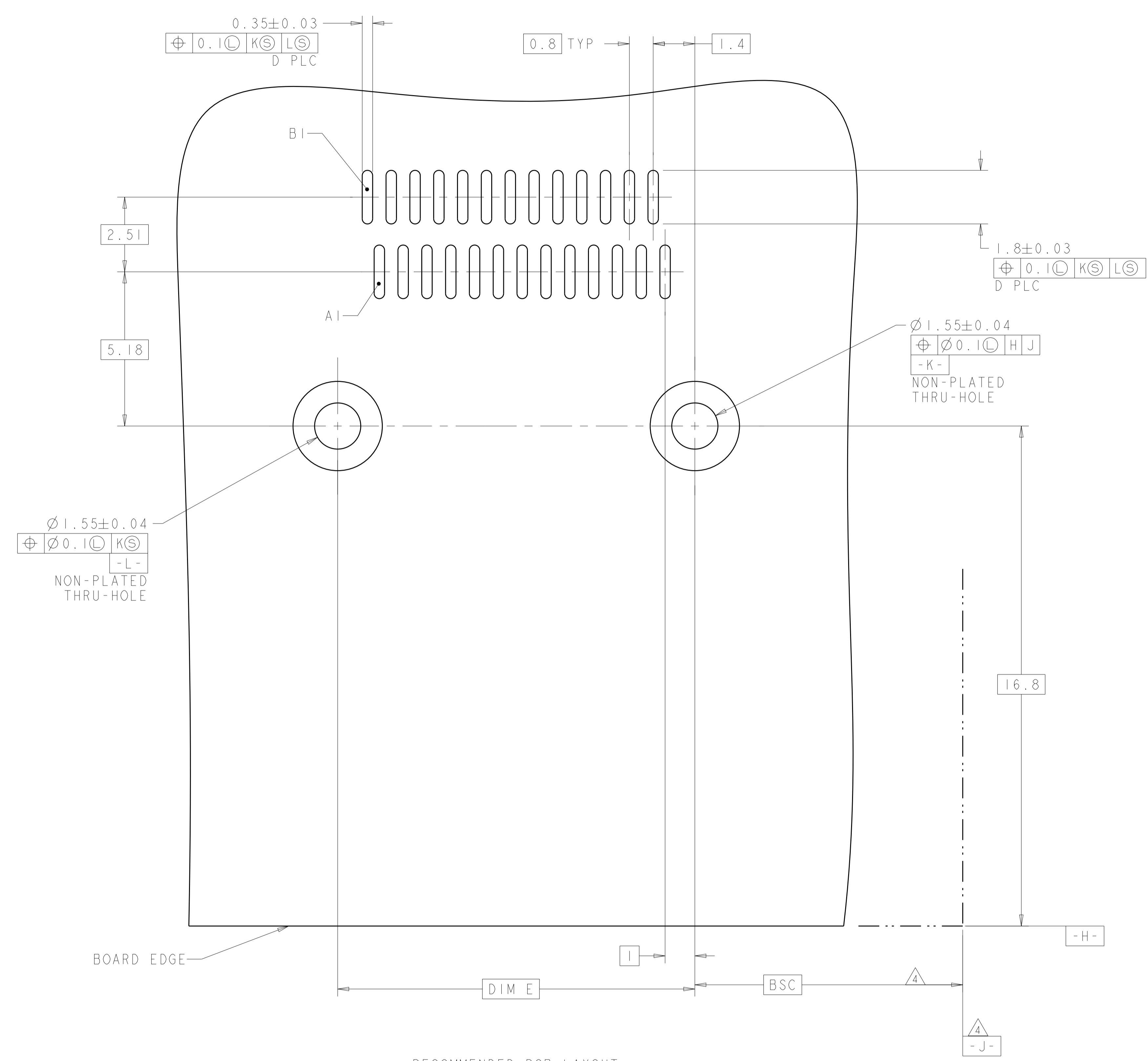
NAME: EVERCLEAR Mini-SAS RECEPTACLE CONNECTOR ASSEMBLY, RIGHT ANGLE, SURFACE MOUNT
 PRODUCT SPEC: 108-2234
 APPLICATION SPEC: -

SIZE: A1
 CAGE CODE: 100779
 DRAWING NO: 1761987

RESTRICTED TO: -
 SCALE: 12:1
 SHEET: 1 OF 2
 REV: B

TE Connectivity

LOC	DIST	REVISIONS					
GP	00	P.	LTN	DESCRIPTION	DATE	DMN	APVD
		-		SEE SHEET 1	-	-	-



RECOMMENDED PCB LAYOUT

THIS DRAWING IS A CONTROLLED DOCUMENT.		DMN M.E. CONNER 28JUN2005	TE Connectivity
DIMENSIONS: mm		CHK R.R. HENRY 28JUN2005	
TOLERANCES UNLESS OTHERWISE SPECIFIED:		APVD R.R. HENRY 28JUN2005	NAME EVERCLEAR Mini-SAS RECEPTACLE CONNECTOR ASSEMBLY, RIGHT ANGLE, SURFACE MOUNT
0 PLC ±	1 PLC ±	PRODUCT SPEC 108-2234	SIZE CAGE CODE DRAWING NO. RESTRICTED TO
2 PLC ±	3 PLC ±	APPLICATION SPEC	A100779C=1761987
4 PLC ±	ANGLES ±	WEIGHT	SCALE 12:1 SHEET 2 OF 2 REV B
MATERIAL	FINISH	CUSTOMER DRAWING	

X-ON Electronics

Largest Supplier of Electrical and Electronic Components

Click to view similar products for [I/O Connectors](#) category:

Click to view products by [TE Connectivity](#) manufacturer:

Other Similar products are found below :

[571763P](#) [58098-0628](#) [72.250.1628.2](#) [72.250.2428.2](#) [74720-0505](#) [76.350.0729.0](#) [76871-1403](#) [FCN-244F080-G/1](#) [FCN-260A9920](#) [PCR-E36PM](#) [PCS-XE26MA+](#) [G38A71314B](#) [1571250010](#) [157-22500-3](#) [MS3471L14-19P L/C](#) [172501-4002](#) [172501-6002](#) [FCN-260C008-A/L0](#) [FCN-260C024-AL0](#) [FCN-261Z008](#) [2000314-1](#) [200331-1](#) [PCR-E36FC+](#) [PCS-E28FS+](#) [PCS-XE26SLFD+](#) [PCS-XE26SLFDT+](#) [G730VID08BDC24](#) [U90B2054081210](#) [38113800006](#) [DP3AR020WQ1R200](#) [Z4.102.0680.0](#) [500-1040](#) [500-1052](#) [500-1054](#) [ZP-4008-66L](#) [0709821002](#) [DX40-20P\(55\)](#) [5554841-1](#) [MS3474W18-8P-LC*](#) [U90B3054061110](#) [U65-E04-4020](#) [ZPF000000000097891](#) [747360449](#) [10099439-003C-TRLF](#) [10137239-0021LF](#) [E9320-001-01](#) [10137239-0011LF](#) [70289-001LF](#) [70.060.1028.0](#) [109029-ZZ](#)