

4

3

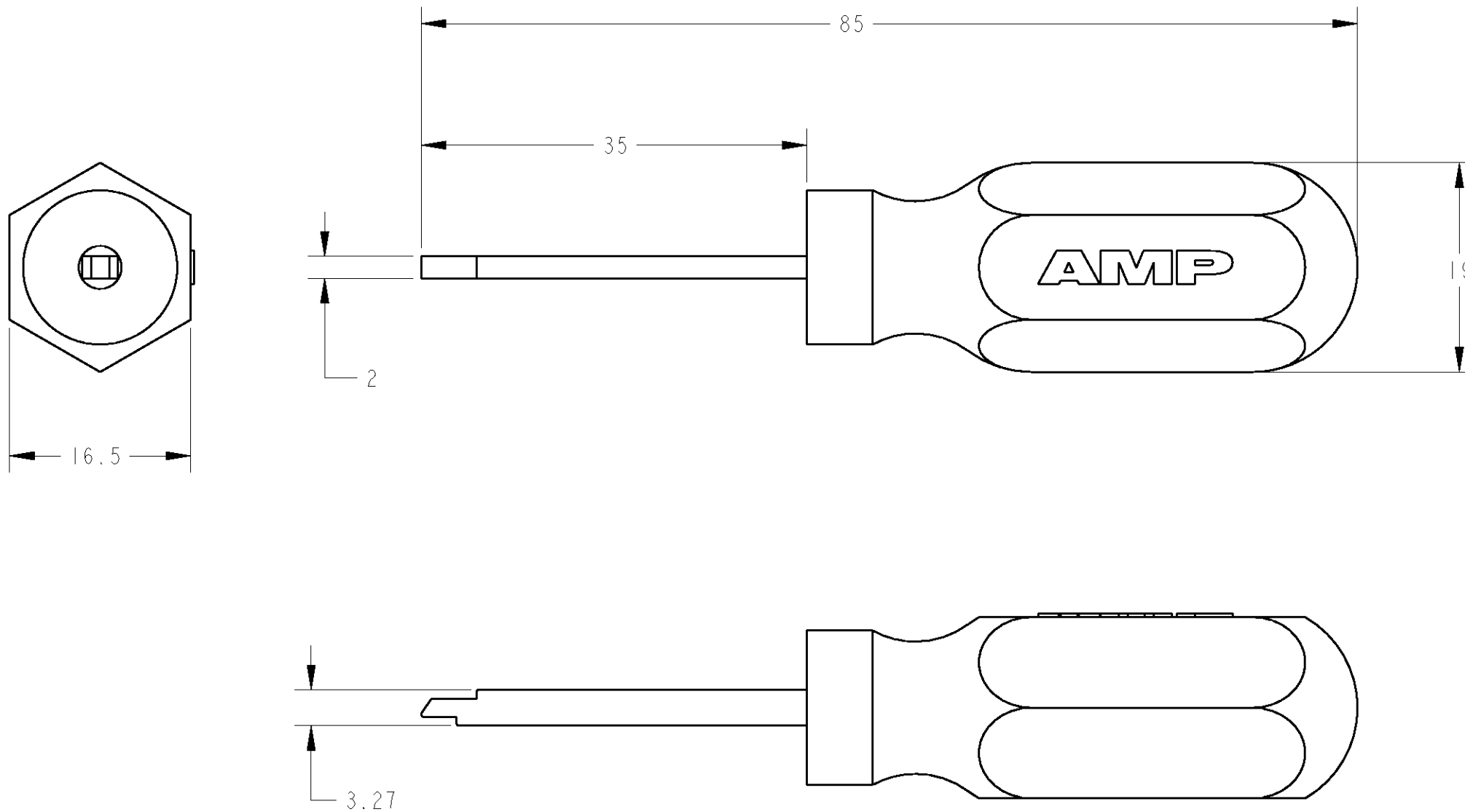
2

1

THIS DRAWING IS UNPUBLISHED. RELEASED FOR PUBLICATION 20  
© COPYRIGHT 20 BY TYCO ELECTRONICS CORPORATION. ALL RIGHTS RESERVED.

| LOC | DIST | REVISIONS   |          |           |         |
|-----|------|-------------|----------|-----------|---------|
| P   | LTR  | DESCRIPTION | DATE     | DWN       | APVD    |
| J   | -    | A           | RELEASED | 10-Feb-05 | J.K S.Y |
|     |      |             |          |           |         |
|     |      |             |          |           |         |

-1: AS SHOWN (本図)



- 1 APPLICABLE PRODUCTS 通用製品
- TERMINAL (STRIP) : 1747415, 1747416
  - : 1747418, 1747419
  - : 1747498, 1747499
  - : 1747500, 1747501
  - PLUG HOUSING : 1747276
  - : 1747414
  - : 1747535

2 INSTRUCTION SHEET NO: 411-78186  
取扱説明書番号

|                                                                                                                                                                                                                 |  |                                                                                                                 |  |                                                                             |                    |
|-----------------------------------------------------------------------------------------------------------------------------------------------------------------------------------------------------------------|--|-----------------------------------------------------------------------------------------------------------------|--|-----------------------------------------------------------------------------|--------------------|
| <small>THIS DRAWING IS A CONTROLLED DOCUMENT FOR TYCO ELECTRONICS CORPORATION<br/>IT IS SUBJECT TO CHANGE AND THE CONTROLLING ENGINEERING ORGANIZATION<br/>SHOULD BE CONTACTED FOR THE LATEST REVISION.</small> |  | DWN J.KOGA 10-Feb-05<br>CHK J.KOGA 10-Feb-05<br>APVD S.YABE 10-Feb-05                                           |  | <b>tyco</b> Tyco Electronics AMP K.K.<br><b>Electronics</b> Kawasaki, Japan |                    |
| DIMENSIONS:<br>mm                                                                                                                                                                                               |  | TOLERANCES UNLESS OTHERWISE SPECIFIED:<br>0 PLC ±-<br>1 PLC ±-<br>2 PLC ±-<br>3 PLC ±-<br>4 PLC ±-<br>ANGLES ±- |  | NAME<br>EXTRACTION TOOL<br>FOR DYNAMIC 4000 SERIES CONNECTOR                |                    |
| MATERIAL                                                                                                                                                                                                        |  | FINISH                                                                                                          |  | PRODUCT SPEC -<br>APPLICATION SPEC -<br>WEIGHT -                            |                    |
|                                                                                                                                                                                                                 |  | CUSTOMER DRAWING                                                                                                |  | SIZE A3                                                                     | CAGE CODE 00779    |
|                                                                                                                                                                                                                 |  |                                                                                                                 |  | DRAWING NO C-1762461                                                        | RESTRICTED TO -    |
|                                                                                                                                                                                                                 |  |                                                                                                                 |  | SCALE 2:1                                                                   | SHEET 1 OF 1 REV A |

## X-ON Electronics

Largest Supplier of Electrical and Electronic Components

*Click to view similar products for [Extraction, Removal & Insertion Tools](#) category:*

*Click to view products by [TE Connectivity](#) manufacturer:*

Other Similar products are found below :

[M8196914-08](#) [768211-2](#) [809-131](#) [844751-2](#) [8-59558-2](#) [91018-1](#) [12014013](#) [12093647](#) [1-21048-0](#) [R282867020](#) [12093078](#) [1-21048-6](#)  
[12121897](#) [DCF.91.405.5LT](#) [1322](#) [15314260](#) [15313892](#) [15350698](#) [15350707](#) [15430130](#) [1579018-4](#) [1643916-1](#) [1-679532-0](#) [1976593-3](#)  
[OUTEXT-0321](#) [2-1579008-3](#) [2-1579008-4](#) [229694-7](#) [231106-1](#) [241469](#) [91040-3](#) [91040-7](#) [965004-000](#) [965069-000](#) [1738219-1](#) [ET-JL05-16](#)  
[FG 0300 146 3000](#) [FIT-6](#) [210S048](#) [2-1579007-9](#) [231879-1](#) [312138-3](#) [RJ11FODE](#) [356-162](#) [M8196914-10](#) [4-1579018-0](#) [430395-001](#) [483249-](#)  
[1](#) [5-1579007-2](#) [5-1579007-9](#)