

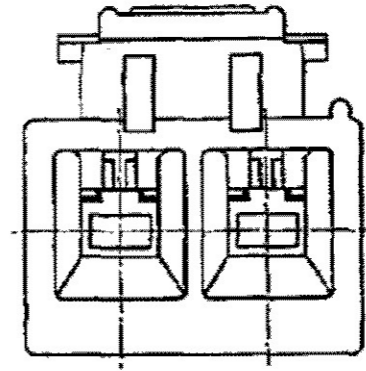
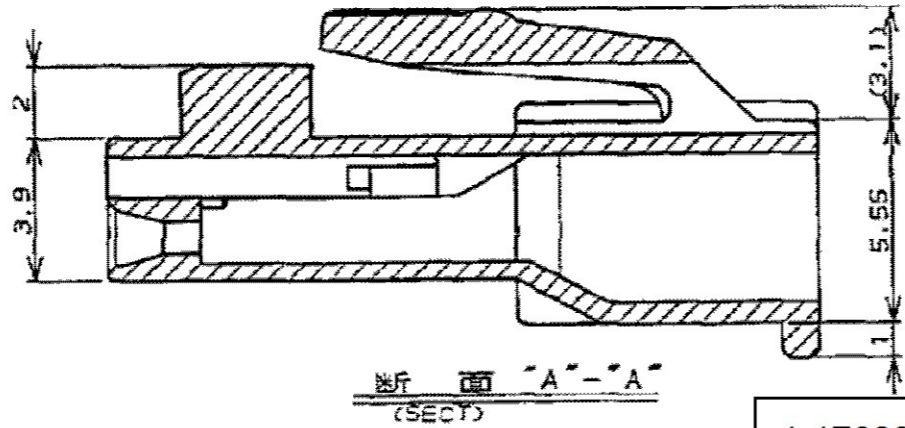
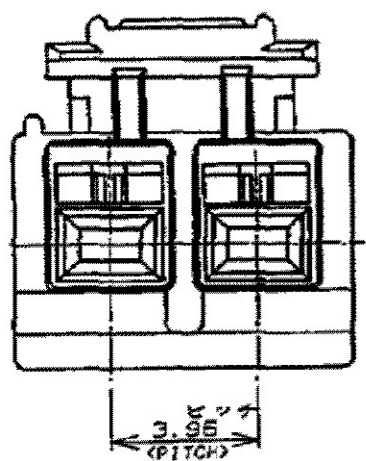
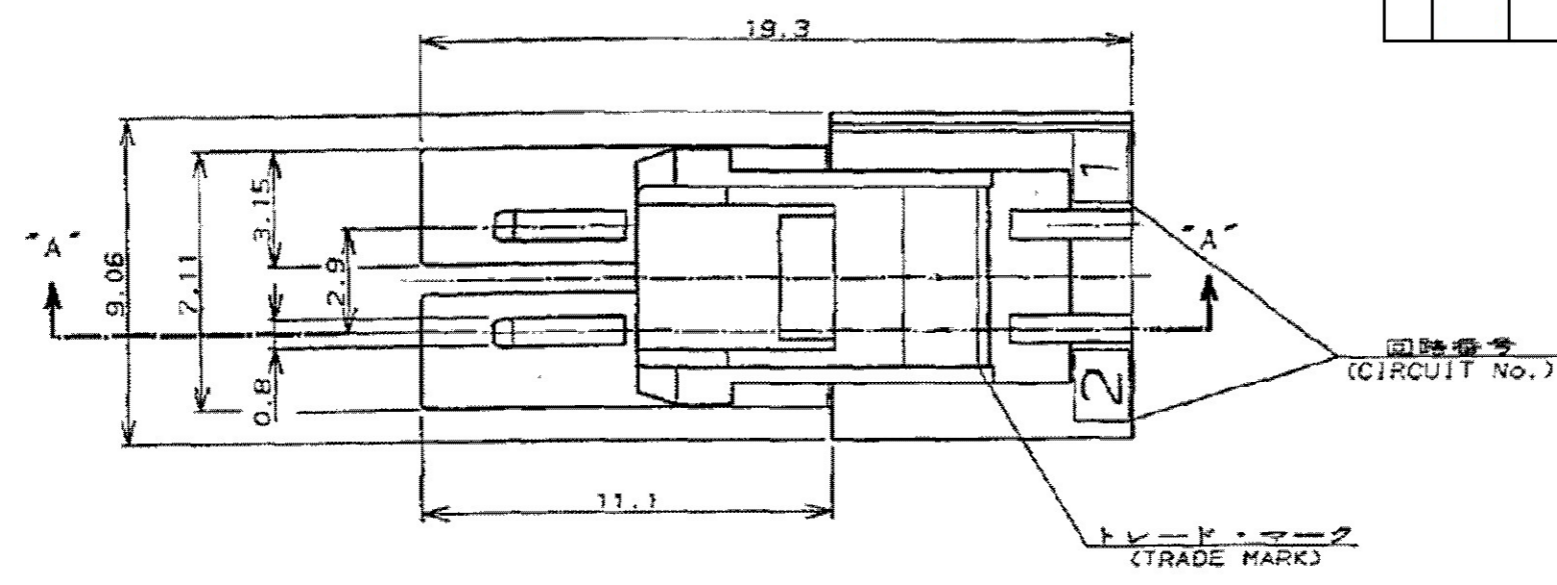
THIS DRAWING IS UNPUBLISHED.

RELEASED FOR PUBLICATION

ALL INTERNATIONAL RIGHTS RESERVED.

© COPYRIGHT

LOC J	DIST —	REVISIONS			
P	LTR	DESCRIPTION	DATE	DWN	APVD
	C5	REVISED PER ECR-17-018148	13DEC17	SC	BH



1. APPLICABLE CONTACT PART NUMBER;
REC CONTACT: 175152-□ (#20-#16AWG)
175151-□ (#26-#22AWG)
2. TO BE USED WITH THE CONTACT WHICH IS RATED 105°C MAX
3. MATERIAL: PA66, UL94 V-0, GWIT 775°C

1-176282-5	130°C MAX	△3	GREEN 绿	2	1-176271-5
1-176282-1	130°C MAX	△3	NATURAL 自然色		1-176271-1 _{△2}
176282-□ 176292-□	105°C MAX	PA66	BLACK 黒	2	176271-9
			BLUE 青		176271-6
			YELLOW 黄		176271-4
			RED 赤		176271-2
NATURAL 自然色	176271-1				
MATING CONN. PART NUMBER 嵌合相手型番	TEMPERATURE RATING 定格温度	TYPE 種類	HOUSING COLOR 色	Pos. 極数	PART NUMBER 型番
	MATERIAL 材料				

1. 適用端子型番;
リセコンタクト: 175152-□ (#20-#16AWG)
175151-□ (#26-#22AWG)
2. 適用コンタクトの使用温度は最大105°C

THIS DRAWING IS A CONTROLLED DOCUMENT.

DWN: M.SHINDO 08NOV1989
CHK: Y.FUJITA 08NOV1989
APVD: Y.FUJITA 08NOV1989

PRODUCT SPEC: 108-5302
APPLICATION SPEC

NAME: AMP UNIVERSAL POWER CONN.
3.96mm PITCH PLUG HOUSING 2 Pos. (SGL ROW)
AMP ユニバーサルパワーコネクタ 2極 3.96mmピッチ キャップハウジング

SIZE: A3 CAGE CODE: 00779 DRAWING NO: C-176271 RESTRICTED TO: —

MATERIAL: SEE TABLE

WEIGHT: —

CUSTOMER DRAWING

SCALE: NTS SHEET: 1 OF 1 REV: C5

X-ON Electronics

Largest Supplier of Electrical and Electronic Components

Click to view similar products for [Headers & Wire Housings](#) category:

Click to view products by [TE Connectivity](#) manufacturer:

Other Similar products are found below :

[892-18-020-10-001101](#) [58102-G61-06LF](#) [582553-1](#) [0009485154](#) [009176003701906](#) [0050291907](#) [LY20-4P-DT1-P1E-BR](#) [02.125.8002.8](#)
[609-3404](#) [61062-3](#) [61082-181009](#) [622-3653LF](#) [63453-116](#) [636-1030](#) [636-1427](#) [636-3427](#) [636-4007](#) [641938-9](#) [641991-4](#) [644827-2](#) [65817-](#)
[010LF](#) [65817-015LF](#) [65863-015LF](#) [66207-023LF](#) [67095-007LF](#) [67601157](#) [68645-018](#) [68648-049](#) [70.362.1628.0](#) [70-4210](#) [70-4226B](#) [70-](#)
[4853B](#) [707-5020](#) [707-5028](#) [71.350.2428.0](#) [71918-208LF](#) [71961-016LF](#) [733-134](#) [733-162](#) [754199-000](#) [760-3052](#) [787-8014-00](#) [79531-3000](#)
[FCN-360C032-B](#) [FCN-367T-T012/H](#) [FCN-723D010/2](#) [80.063.4001.1](#) [800-90-001-10-001000](#) [800-90-010-10-002000](#) [801-43-002-10-013000](#)