

THIS DRAWING IS UNPUBLISHED.

RELEASED FOR PUBLICATION

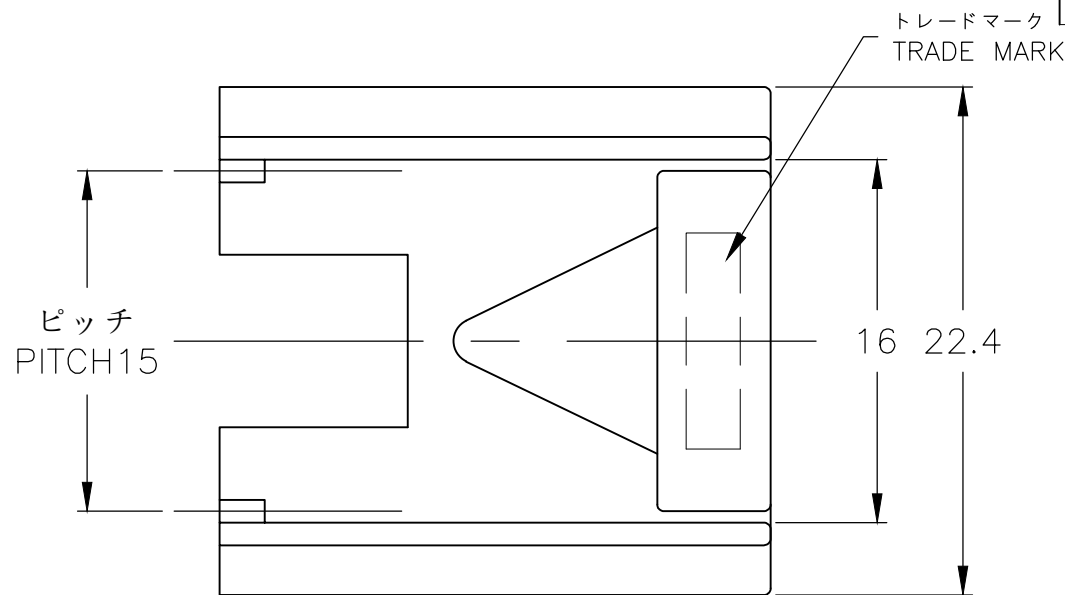
ALL RIGHTS RESERVED.

© COPYRIGHT - By -

REVISIONS

変更

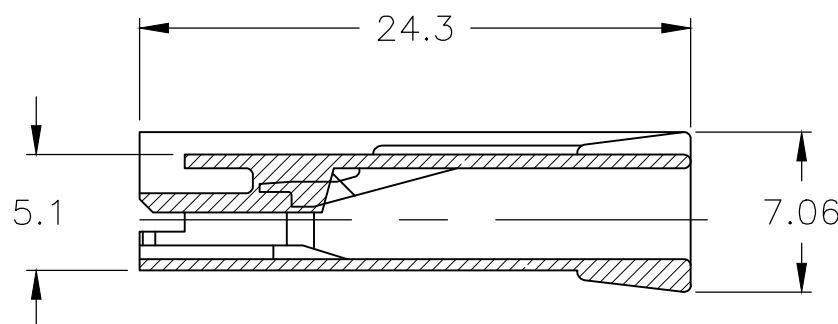
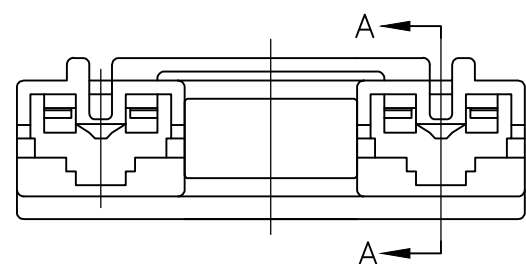
| P | LTR | DESCRIPTION               | DATE      | DWN | APVD |
|---|-----|---------------------------|-----------|-----|------|
|   | B1  | REVISED PER ECR-18-011401 | 24JUL2018 | BDA | DS   |



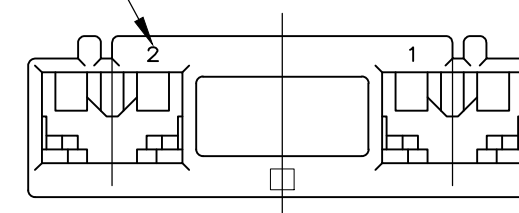
NOTES

1. APPLICABLE CONTACT PART NUMBER  
: 170324-X, 170325-X, 170326-X

△ BLUE PARTS MAY APPEAR MEDIUM  
BLUE TO LIGHT BLUE TO LIGHT GRAY  
IN COLOR AND MAY ALSO EXHIBIT A  
MARBLING EFFECT

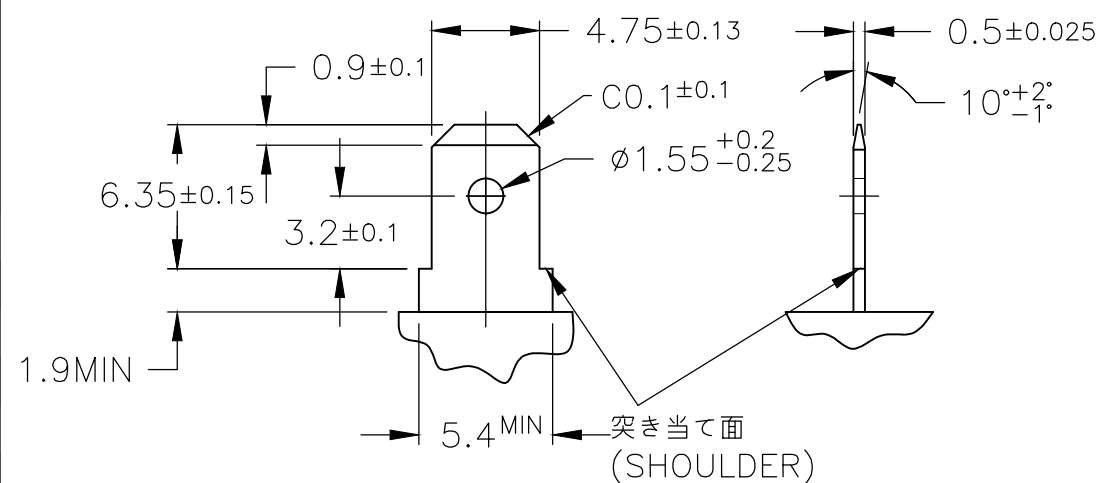


回路番号  
CIRCUIT NO.

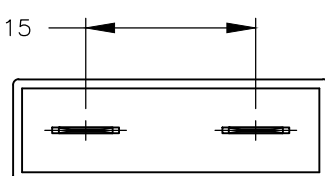


断面 A-A

タブ推奨図  
RECOMMENDED TAB



PITCH 15±0.15



SUPERSEDED BY 2-176498-6

|                            |               |                       |
|----------------------------|---------------|-----------------------|
| 66NYLON<br>UL94V-0 Natural | BLUE          | 2-176498-6            |
| 66NYLON<br>(UL94V-0)       | △ BLUE        | <del>1-176498-6</del> |
| 66NYLON<br>(UL94V-2)       | 黄色 (YELLOW)   | 3-176498-4            |
| 66NYLON<br>(UL94V-0)       | 青色 (BLUE)     | 176498-6              |
|                            | 黄色 (YELLOW)   | 176498-4              |
|                            | 黒色 (BLACK)    | 176498-2              |
|                            | 自然色 (NATURAL) | 176498-1              |
| 材料 (MATERIAL)              | 色調 (COLOR)    | 型番(PART NUMBER)       |

|                                                   |  |                            |           |                                 |  |
|---------------------------------------------------|--|----------------------------|-----------|---------------------------------|--|
| THIS DRAWING IS A CONTROLLED DOCUMENT.            |  | DWN<br>J.SATO              | 07SEP2007 | <b>STE</b> TE Connectivity Ltd. |  |
| DIMENSIONS:<br>単位: 耗<br>mm                        |  | CHK<br>S.MANABE            | 07SEP2007 |                                 |  |
| TOLERANCES UNLESS<br>OTHERWISE SPECIFIED:<br>一般公差 |  | APVD<br>S.MANABE           | 07SEP2007 | NAME<br>名称                      |  |
| 0 PLC ±                                           |  | PRODUCT SPEC<br>製品規格       |           | 187 SERIES POSITIVE LOCK MK-II  |  |
| 1 PLC 10以下 ± 0.2                                  |  | APPLICATION SPEC<br>取付適用規格 |           | 2P REC HSG                      |  |
| 20 30以下 ± 0.25                                    |  | 108-5126                   |           | SIZE                            |  |
| 30 100以下 ± 0.3                                    |  | WEIGHT                     |           | CAGE CODE                       |  |
| 4 PLC ANGLES ± 3°                                 |  | CUSTOMER DRAWING           |           | DRAWING NO<br>番号                |  |
| FINISH<br>仕上                                      |  | A3                         |           | 00779                           |  |
| MATERIAL<br>材料<br>SEE TABLE                       |  | SCALE<br>尺度 3:1            |           | SHEET<br>1 OF 1                 |  |
|                                                   |  | RESTRICTED TO              |           | REV<br>B1                       |  |

## X-ON Electronics

Largest Supplier of Electrical and Electronic Components

*Click to view similar products for [Automotive Connectors](#) category:*

*Click to view products by [TE Connectivity](#) manufacturer:*

Other Similar products are found below :

[003-018-000](#) [60403001](#) [60993906-B](#) [M902-2131](#) [M902-2161](#) [M902-2344](#) [72.330.1035.1](#) [73.353.4028.0](#) [F119300-B](#) [F166900](#) [F258300-B](#)  
[F358300-B](#) [F407400](#) [F444110](#) [F487000](#) [F509500B-B](#) [827153-1](#) [8N1515-32-24P](#) [9-1326729-8](#) [925474-1](#) [928905-1](#) [964562-4](#) [968782-1](#)  
[GT17SA-8DS-HU](#) [98891-1012](#) [98947-1016](#) [12004147](#) [12004475-L](#) [12010290](#) [12010309-B](#) [12015454](#) [12020219-B](#) [12041318-B](#) [12052225-](#)  
[L](#) [12052466](#) [12064869](#) [12004327-B](#) [12015308](#) [12015384](#) [12015909](#) [1-21030-1](#) [12041254](#) [12041318](#) [12047946-B](#) [12047957](#) [12047957-L](#)  
[12059473](#) [12066261](#) [12110546](#) [12110546-B](#)