

THIS DRAWING IS UNPUBLISHED.

RELEASED FOR PUBLICATION

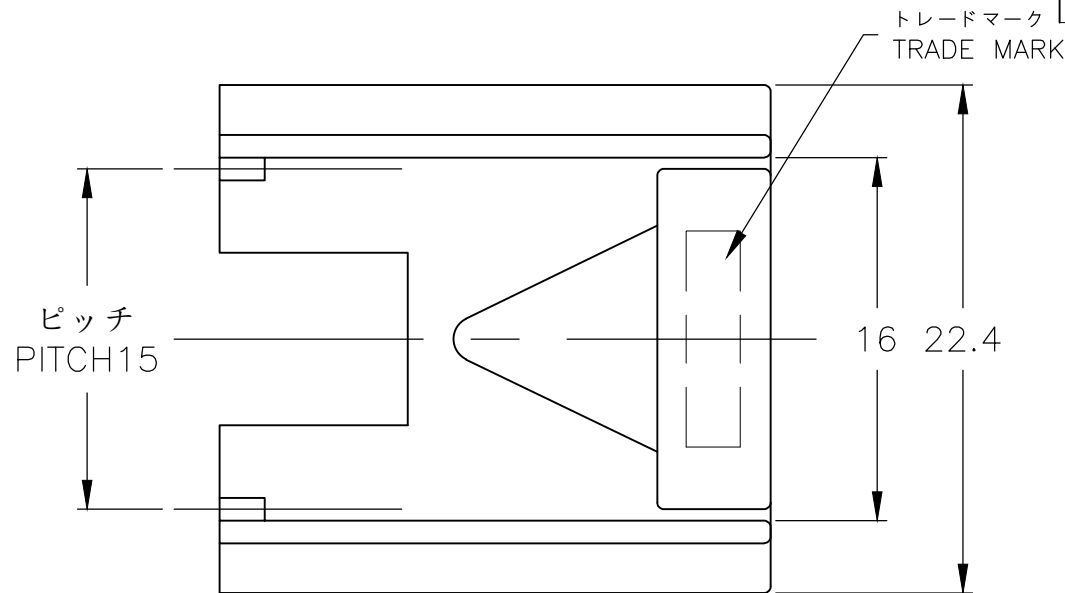
ALL RIGHTS RESERVED.

© COPYRIGHT - By -

REVISIONS

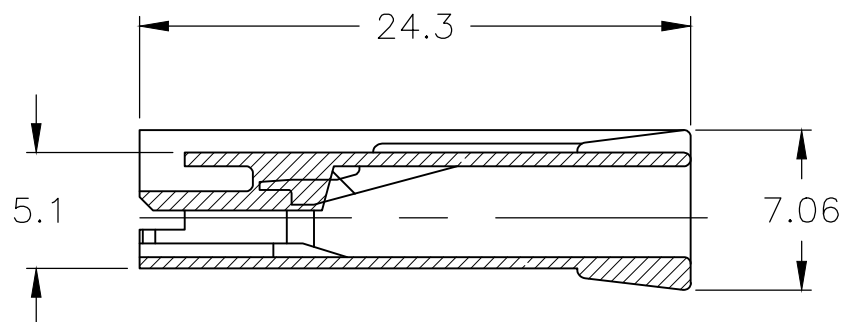
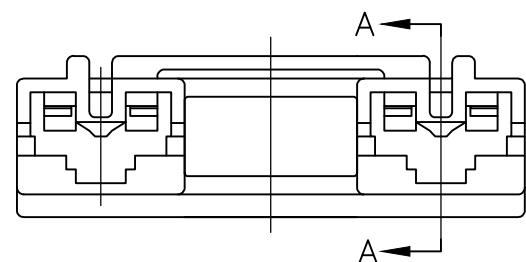
変更

P	LTR	DESCRIPTION	DATE	DWN	APVD
	B1	REVISED PER ECR-18-011401	24JUL2018	BDA	DS



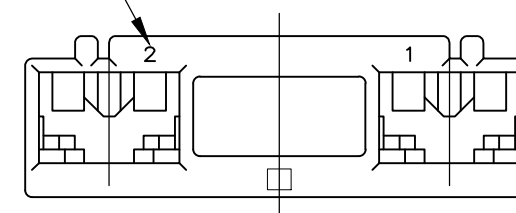
NOTES

- APPLICABLE CONTACT PART NUMBER : 170324-X, 170325-X, 170326-X
- BLUE PARTS MAY APPEAR MEDIUM BLUE TO LIGHT BLUE TO LIGHT GRAY IN COLOR AND MAY ALSO EXHIBIT A MARBLING EFFECT

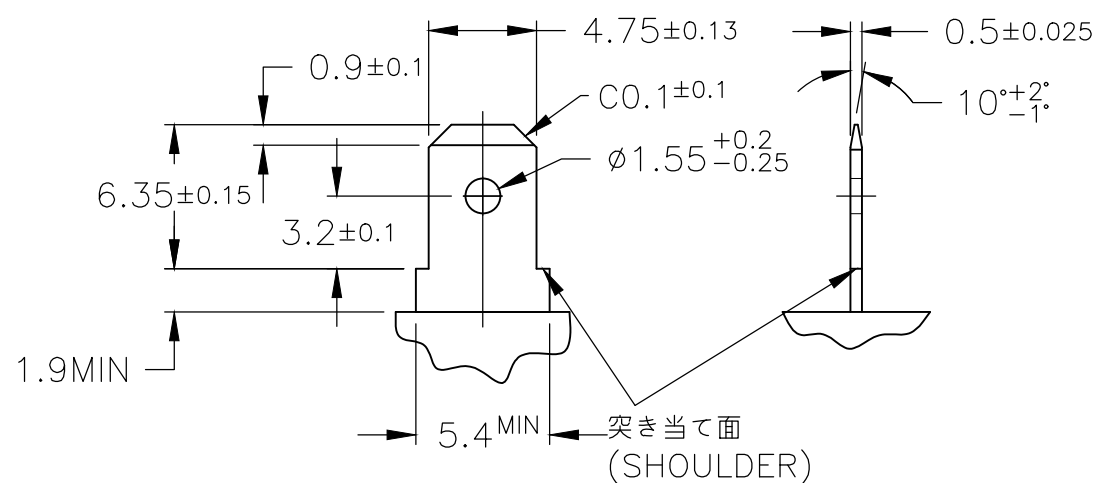


断面 A-A

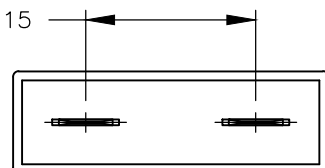
回路番号
CIRCUIT NO.



タブ推奨図
RECOMMENDED TAB



PITCH 15±0.15



SUPERSEDED BY 2-176498-6

66NYLON UL94V-0 Natural	BLUE	2-176498-6
66NYLON (UL94V-0)	△ BLUE	-1-176498-6-
66NYLON (UL94V-2)	黄色 (YELLOW)	3-176498-4
66NYLON (UL94V-0)	青色 (BLUE)	176498-6
	黄色 (YELLOW)	176498-4
	黒色 (BLACK)	176498-2
	自然色 (NATURAL)	176498-1
材料 (MATERIAL)	色調 (COLOR)	型番(PART NUMBER)

THIS DRAWING IS A CONTROLLED DOCUMENT.		DWN J.SATO 07SEP2007	STE TE Connectivity Ltd.		
DIMENSIONS: 単位: 耗 mm		CHK S.MANABE 07SEP2007			
TOLERANCES UNLESS OTHERWISE SPECIFIED: 一般公差		APVD S.MANABE 07SEP2007	NAME 名称 187 SERIES POSITIVE LOCK MK-II 2P REC HSG		
0 PLC ± 1 PLC 10以下 ± 0.2 20 30以下 ± 0.25 30 100以下 ± 0.3 4 PLC ± ANGLES ± 3°		PRODUCT SPEC 製品規格 108-5126	DRAWING NO 番号 A300779 C-176498		
MATERIAL 材料 SEE TABLE		FINISH 仕上	APPLICATION SPEC 取付適用規格	SIZE	RESTRICTED TO
		WEIGHT	取付適用規格	CAGE CODE A300779	SCALE 尺度 3:1
CUSTOMER DRAWING			SCALE 尺度 3:1	SHEET 1 OF 1	REV B1

X-ON Electronics

Largest Supplier of Electrical and Electronic Components

Click to view similar products for [Terminals](#) category:

Click to view products by [TE Connectivity](#) manufacturer:

Other Similar products are found below :

[00-054007-01074-6](#) [00-054007-70206-1](#) [00-054007-70210-8](#) [00-054007-70217-7](#) [00-054007-70226-9](#) [00-054007-70228-3](#) [00-054007-70248-1](#) [00-054007-70256-6](#) [00-054007-70301-3](#) [00-054007-70316-7](#) [00-054007-49560-4](#) [00-054007-70209-2](#) [00-054007-70225-2](#) [00-054007-70227-6](#) [00-054007-70231-3](#) [00-054007-70241-2](#) [00-054007-70242-9](#) [00-054007-70244-3](#) [00-054007-70246-7](#) [00-054007-70263-4](#) [00-054007-70288-7](#) [00-054007-70290-0](#) [00-054007-70300-6](#) [00-054007-70304-4](#) [01-2065-1-0216](#) [01-2900-1-04412](#) [00581P0075](#) [600TS-10](#) [60205-1](#) [604200-1](#) [605601-1](#) [60598-1-CUT-TAPE](#) [61314-6-C](#) [61810-3](#) [61-S](#) [61-SN](#) [626-0194](#) [62-NBM-A](#) [62-SN](#) [62-SP](#) [63-S](#) [640179-1](#) [M55155/059I03](#) [M55155/079C01](#) [M55155/099H02](#) [M55155/109H01](#) [M55155/109H02](#) [M55155/12XH05](#) [M55155/16XH02](#) [M55155/29-5S](#)