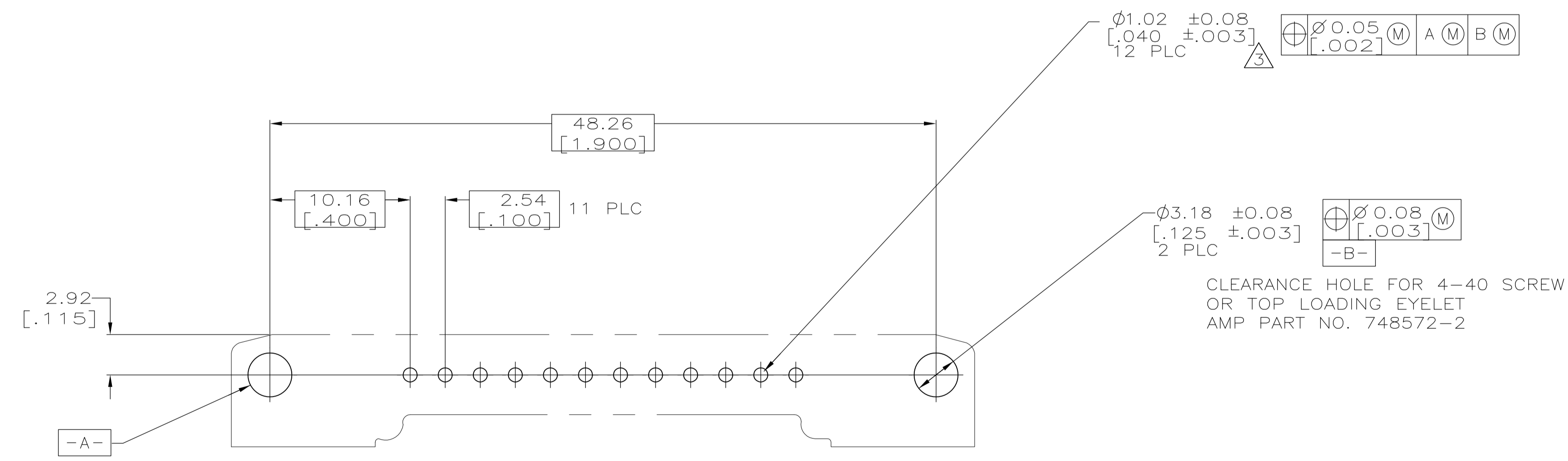
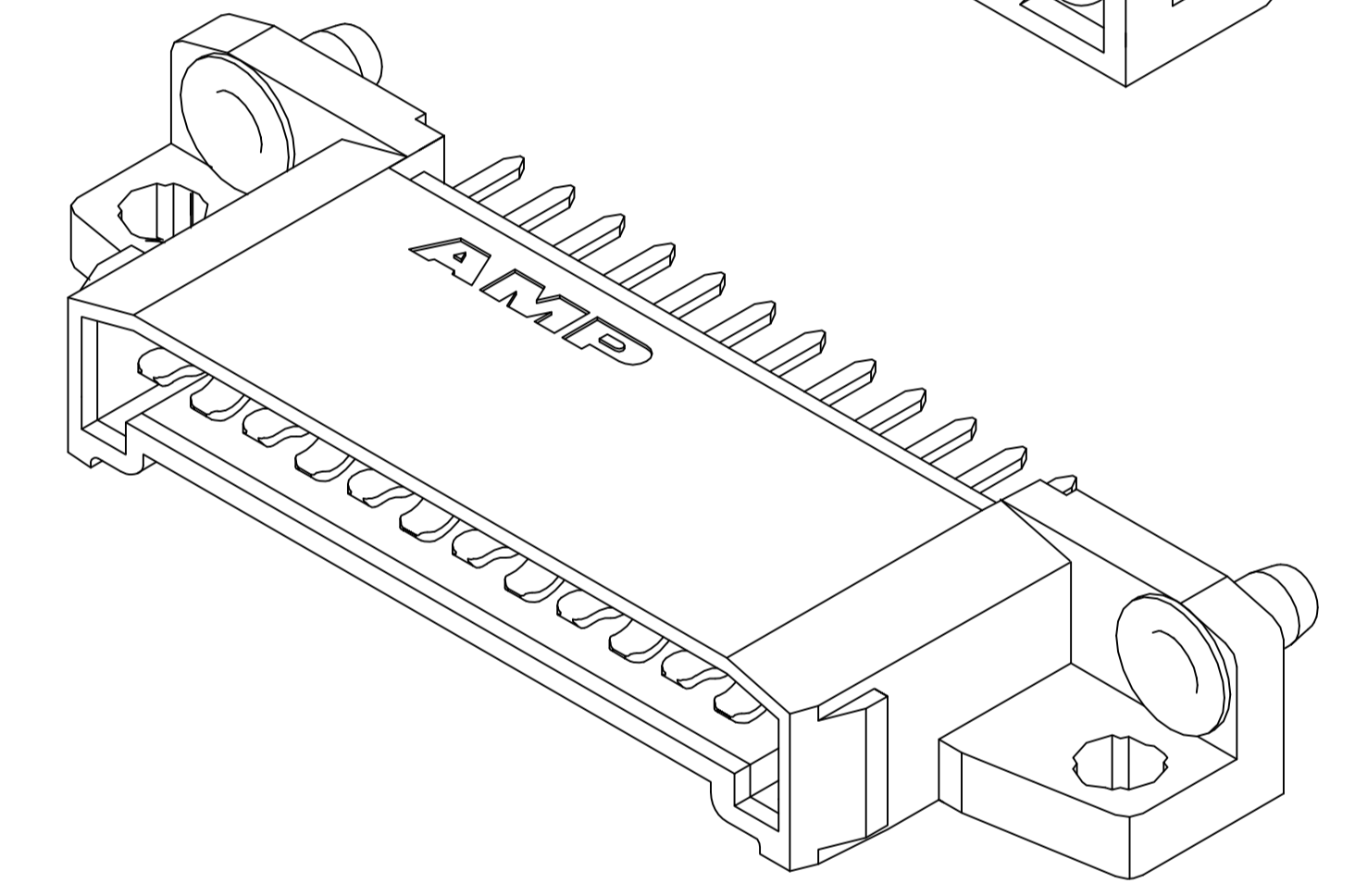
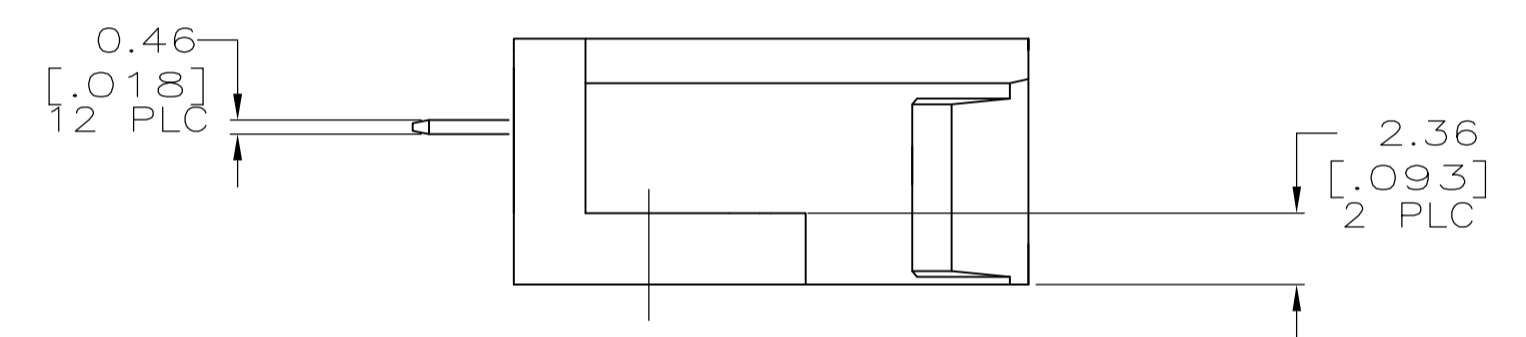
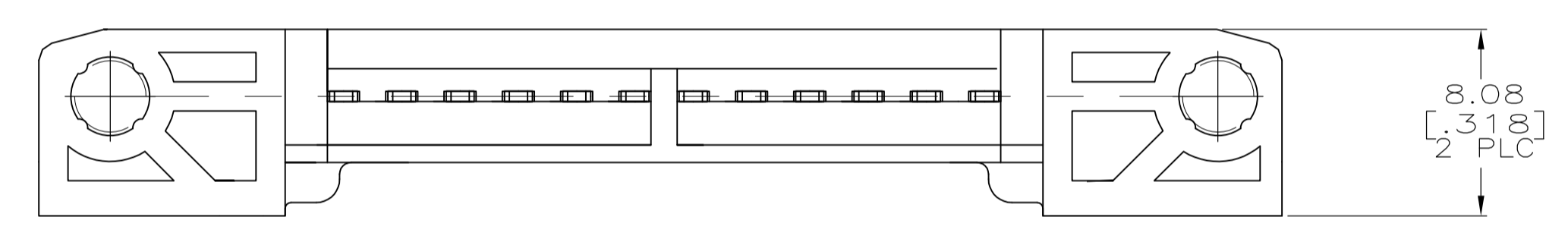
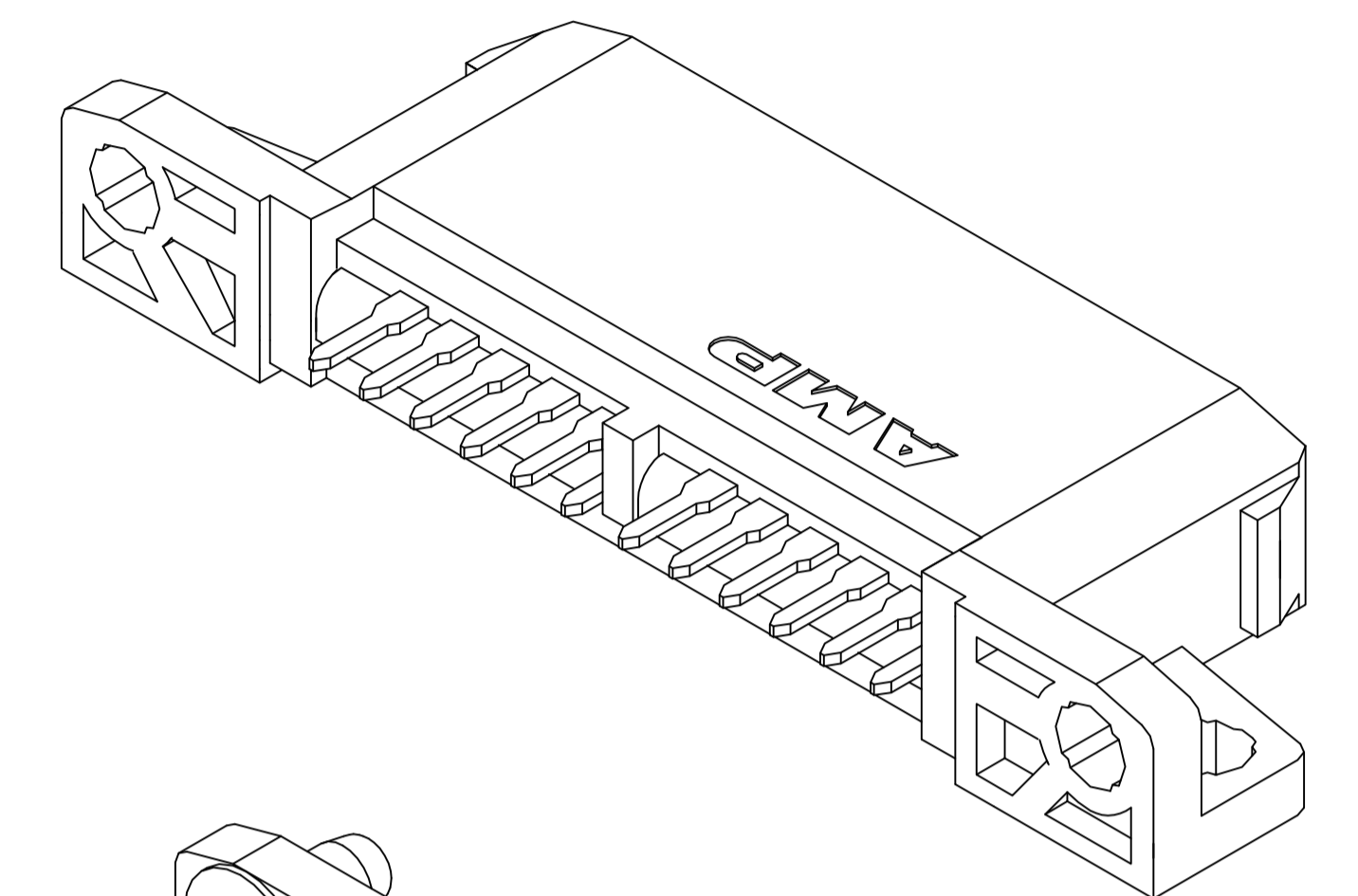
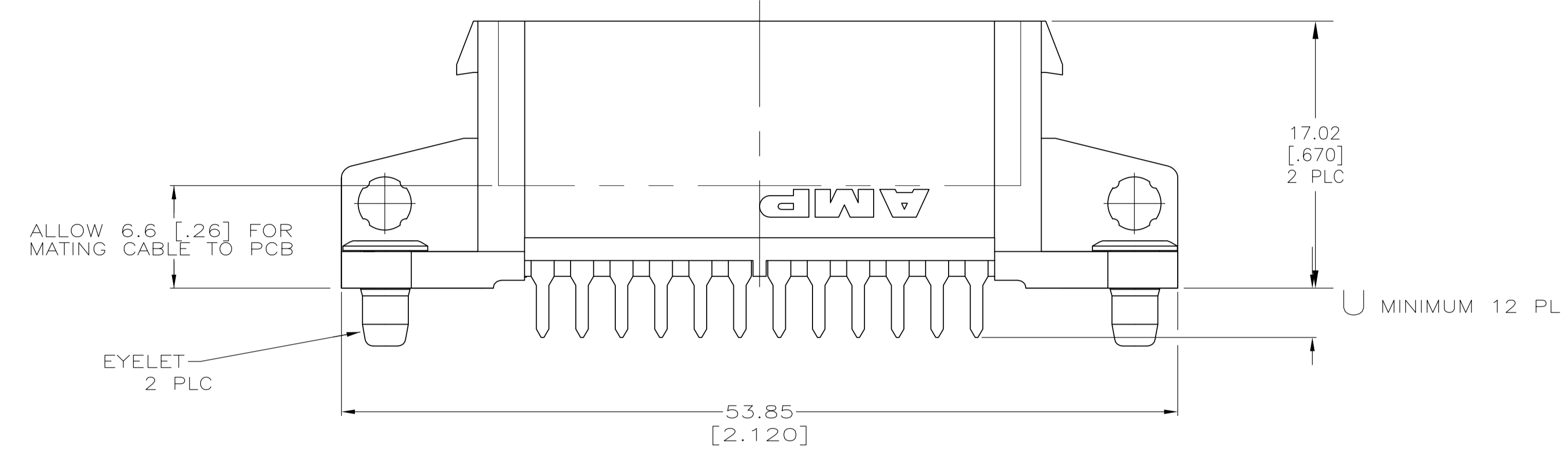


AMPPOWER is a registered trademark of AMP Incorporated.

- 1 HOUSING MAT'L: POLYESTER
- 2 HOUSING MAT'L: POLYESTER HIGH TEMP
- 3 HOLE DIAMETER AFTER PLATING.
- 4 SOLDER TAIL: TIN-LEAD OVER NICKEL
- 5 SOLDER TAIL: SILVER OVER NICKEL
- 6 PRODUCT AND PROCESSING MUST MEET REQUIREMENTS OF TYCO ELECTRONICS STANDARD 230-702.



OBSOLETE	WITH EYELETS	1	5.72 [.225]	1.57 [.062] TO 4.75 [.187]	2-765206-2
OBSOLETE	WITH EYELETS	2	4.19 [.165]	1.57 [.062] TO 3.17 [.125]	2-765206-1
	WITH EYELETS	2/6	3.15 [.124]	1.57 [.062] TO 2.36 [.093]	2-765206-0
	W/O EYELETS	2/6	5.72 [.225]	1.57 [.062] TO 4.75 [.187]	1-765206-9
	W/O EYELETS	2/6	4.19 [.165]	1.57 [.062] TO 3.17 [.125]	1-765206-8
	W/O EYELETS	2/6	3.15 [.124]	1.57 [.062] TO 2.36 [.093]	1-765206-7
OBSOLETE			5.72 [.225]	4.75 [.187]	1-765206-6
OBSOLETE		2	7.49 [.295]	6.35 [.250]	1-765206-5
OBSOLETE		4	4.19 [.165]	3.17 [.125]	1-765206-4
	WITH EYELETS	4	3.15 [.124]	1.57 [.062] TO 2.36 [.093]	1-765206-3
OBSOLETE		1	5.72 [.225]	4.75 [.187]	1-765206-2
OBSOLETE		1	7.49 [.295]	6.35 [.250]	1-765206-1
OBSOLETE		1	4.19 [.165]	3.17 [.125]	1-765206-0
OBSOLETE		1	3.15 [.124]	1.57 [.062] TO 2.36 [.093]	765206-9
OBSOLETE		1	5.72 [.225]	4.75 [.187]	765206-8
OBSOLETE		1	7.49 [.295]	6.35 [.250]	765206-7
OBSOLETE		1	4.19 [.165]	3.17 [.125]	765206-6
OBSOLETE	W/O EYELETS	1	3.15 [.124]	1.57 [.062] TO 2.36 [.093]	765206-5
OBSOLETE		1	5.72 [.225]	4.75 [.187]	765206-4
OBSOLETE		1	7.49 [.295]	6.35 [.250]	765206-3
OBSOLETE		1	4.19 [.165]	3.17 [.125]	765206-2
OBSOLETE		1	3.15 [.124]	1.57 [.062] TO 2.36 [.093]	765206-1

RECOMMENDED PC BOARD LAYOUT  
 2.54 [.100] CENTERLINES

THIS DRAWING IS A CONTROLLED DOCUMENT.

DIMENSIONS: INCHES	TOLERANCES UNLESS OTHERWISE SPECIFIED:	DIN J.K. DALY 12-08-89	TE Connectivity
	0 PL ± -	CIK CMS 12-14-89	AMPPOWER Wave Crimp System
	1 PL ± -	APVD -	VERTICAL HEADER ASSEMBLY
	2 PL ± 0.25 [.01]	NAME	2.54 [.100] CENTERLINES
	3 PL ± 0.13 [.005]	PRODUCT SPEC	108-1308
	4 PL ± -	APPLICATION SPEC	114-49005
	ANGLES ± -	SIZE	A1
MATERIAL CONTACT, COPPER ALLOY	FINISH SILVER ON MATING END, ALL OVER NICKEL.	WEIGHT	C=765206
		CUSTOMER DRAWING	SCALE 4:1 SHEET 1 OF 1 REV S

## X-ON Electronics

Largest Supplier of Electrical and Electronic Components

*Click to view similar products for [Headers & Wire Housings](#) category:*

*Click to view products by [TE Connectivity](#) manufacturer:*

Other Similar products are found below :

[892-18-020-10-001101](#) [58102-G61-06LF](#) [582553-1](#) [0009485154](#) [009176003701906](#) [0050291907](#) [LY20-4P-DT1-P1E-BR](#) [02.125.8002.8](#)  
[609-3404](#) [61062-3](#) [61082-181009](#) [622-3653LF](#) [63453-116](#) [636-1030](#) [636-1427](#) [636-3427](#) [636-4007](#) [641938-9](#) [641991-4](#) [644827-2](#) [65817-](#)  
[010LF](#) [65817-015LF](#) [65863-015LF](#) [66207-023LF](#) [67095-007LF](#) [67601157](#) [68648-049](#) [70.362.1628.0](#) [70-4210](#) [70-4226B](#) [70-4853B](#) [707-](#)  
[5020](#) [707-5028](#) [71.350.2428.0](#) [71918-208LF](#) [71961-016LF](#) [733-134](#) [733-162](#) [754199-000](#) [760-3052](#) [787-8014-00](#) [79531-3000](#) [FCN-](#)  
[360C032-B](#) [FCN-367T-T012/H](#) [FCN-723D010/2](#) [80.063.4001.1](#) [800-90-001-10-001000](#) [800-90-010-10-002000](#) [801-43-002-10-013000](#)  
[801-43-006-10-002000](#)