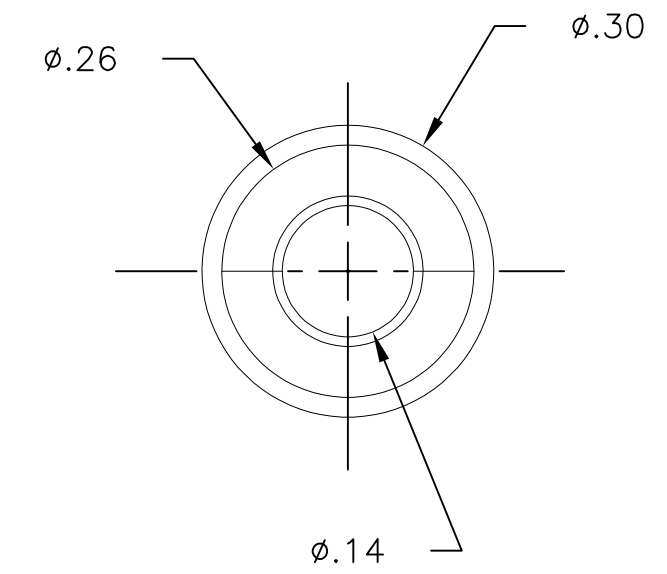
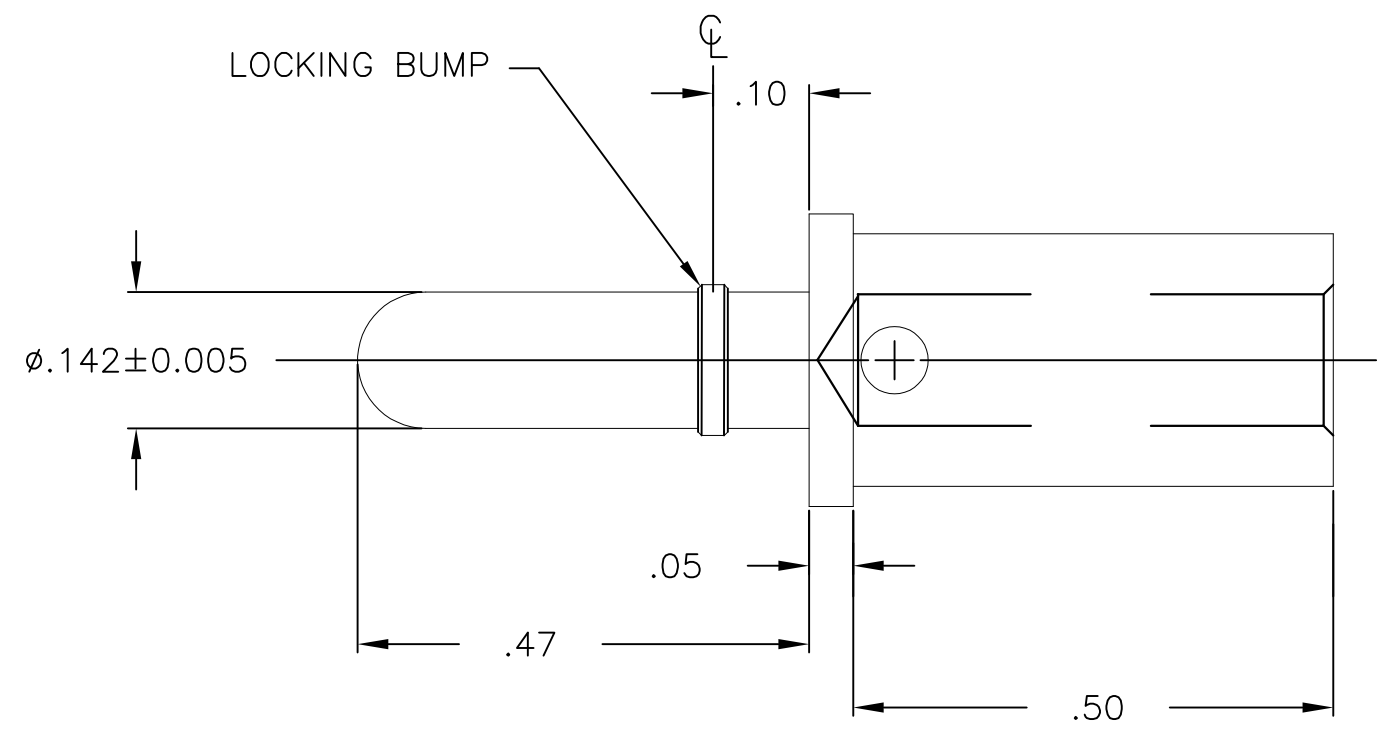


THIS DRAWING IS UNPUBLISHED. RELEASED FOR PUBLICATION
 © COPYRIGHT - By - ALL RIGHTS RESERVED.

LOC	DIST	REVISIONS					
GP	00	P	LTR	DESCRIPTION	DATE	DWN	APVD
			C	REV PER ECO-11-007264	14APR2011	RG	DO



5. TOOLING REQUIRED FOR CRIMP CONTACTS SIZE #8 & #10:
 CRIMP TOOL PART No. M22520/23-01
 CRIMP DIE ASSEMBLY PART No. M22520/23-02
 LOCATOR PART No. M22520/23-09
4. FINISH: SILVER PLATE .00200 MIN THK. OVER
 NICKEL .000040 MIN THK.
3. MATERIAL: COPPER ALLOY
2. ITEMS PROVIDED TO THIS SPECIFICATION TO BE IDENTIFIED
 ON THE CONTAINER WITH THE FOLLOWING INFORMATION:
 PART NUMBER AND DATE CODE OF MANUFACTURE.
1. PART NUMBER CHANGES AND/OR DESIGN CHANGES AFFECTING
 ITEM INTERCHANGEABILITY REQUIRE PRIOR ELCON APPROVAL
 AND AUTHORIZATION BY REVISION TO THIS DRAWING.

1766161-1
 PART NUMBER

THIS DRAWING IS A CONTROLLED DOCUMENT.		DWN	10JAN2011	STE TE Connectivity			
		LOVATO/GRZYBOWSKI	10JAN2011				
DIMENSIONS: INCHES		CHK	D.ORRIS	NAME			
		TOLERANCES UNLESS OTHERWISE SPECIFIED:		PIN CONTACT SIZE No.8			
		0 PLC ± - 1 PLC ± - 2 PLC ± - 3 PLC ± .020 4 PLC ± - ANGLES ± .5		SIZE No.10 CRIMP BARREL			
MATERIAL		APVD	D.ORRIS	LOCKING ICCON			
FINISH		PRODUCT SPEC		SIZE	CAGE CODE	DRAWING NO	RESTRICTED TO
		APPLICATION SPEC		A3	00779	C-1766161	-
		WEIGHT		CUSTOMER DRAWING			SCALE
							5:1
							SHEET
							1 OF 1
							REV
							C

X-ON Electronics

Largest Supplier of Electrical and Electronic Components

Click to view similar products for [Heavy Duty Power Connectors](#) category:

Click to view products by [TE Connectivity](#) manufacturer:

Other Similar products are found below :

[1424439](#) [1424438](#) [09330062652](#) [605601-1](#) [6340G1](#) [6341G1](#) [6360G1](#) [6373G1](#) [6374g2](#) [6396G1](#) [647757-1](#) [6643411-1](#) [6646058-2](#) [6646137-1](#)
[6646138-1](#) [6646348-1](#) [6646479-1](#) [6646608-1](#) [6646786-1](#) [6646940-1](#) [6651525-1](#) [6651529-1](#) [6651778-1](#) [6651788-1](#) [696465-1](#) [696475-1](#)
[73000005059](#) [73000005349](#) [73000005642](#) [73080965046](#) [765-15-0080A](#) [765-16-0080B](#) [789.700-44](#) [789.700-54](#) [80-1010](#) [80-9](#) [827381-1](#)
[829992-1](#) [902-77-02113](#) [PL00U-301-10D10](#) [PM103MOOLOO](#) [PM212MOOLOO](#) [PM309FOOLOO](#) [PM324FOOLCH](#) [PMHPAF11S03](#)
[PMHPAF14S01](#) [PMHPAM14P05](#) [PMHPAS06](#) [PMHPBF14S01](#) [PP45PC12S](#)