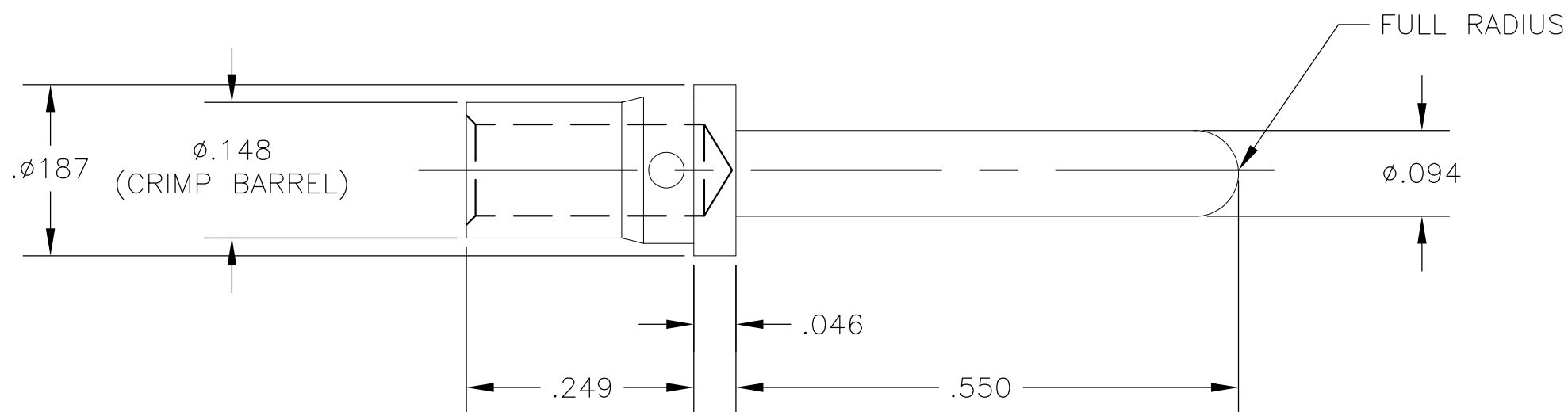


THIS DRAWING IS UNPUBLISHED. RELEASED FOR PUBLICATION  
 © COPYRIGHT - BY TYCO ELECTRONICS CORPORATION. ALL RIGHTS RESERVED.

|     |      |           |     |                       |         |     |      |
|-----|------|-----------|-----|-----------------------|---------|-----|------|
| LOC | DIST | REVISIONS |     |                       |         |     |      |
| GP  | 00   | P         | LTR | DESCRIPTION           | DATE    | DWN | APVD |
|     |      |           | B   | REV PER ECO-08-014775 | 25JUN08 | RG  | DO   |



5. REFERENCE ELCON SERIES 701-12-02107
4. FINISH: SILVER PLATED .000200 MIN THK.  
OVER NICKEL .000050 MIN THK.
3. MATERIAL: COPPER ALLOY
2. ITEMS PROVIDED TO THIS SPECIFICATION SHALL BE IDENTIFIED ON THE CONTAINER WITH THE FOLLOWING INFORMATION:  
PART NUMBER & DATE CODE OF MANUFACTURE.
1. PART NUMBER CHANGES AND/OR DESIGN CHANGES AFFECTING ITEM INTERCHANGEABILITY REQUIRE PRIOR TYCO ELECTRONICS APPROVAL AND AUTHORIZATION BY REVISION TO THIS DRAWING.

1766193-1  
PART NUMBER

|  |  |                                 |   |           |            |               |
|--|--|---------------------------------|---|-----------|------------|---------------|
| THIS DRAWING IS A CONTROLLED DOCUMENT. |  | DWN<br>R.GRZYBOWSKI<br>31MAR06  | Tyco Electronics Corporation<br>Harrisburg, PA 17105-3608 |           |            |               |
| DIMENSIONS:<br>INCHES                  | TOLERANCES UNLESS OTHERWISE SPECIFIED: | CHK<br>S.FLICKINGER<br>31MAR06  | NAME  |           |            |               |
|  | 0 PLC ± -                              | APVD<br>S.FLICKINGER<br>31MAR06 | PIN CONTACT, SIZE #12                                     |           |            |               |
|  | 1 PLC ± -                              | PRODUCT SPEC                    | CRIMP, STANDARD, .43 PIN EXT.                             |           |            |               |
|  | 2 PLC ± .02                            | APPLICATION SPEC                | SIZE  | CAGE CODE | DRAWING NO | RESTRICTED TO |
|  | 3 PLC ± .010                           |                                 | A3  | 00779     | C-1766193  | -             |
|  | 4 PLC ± -                              | WEIGHT                          | CUSTOMER DRAWING  |           |            |               |
|  | ANGLES ± .5                            |                                 | SCALE   | SHEET     | REV        |               |
| MATERIAL<br>SEE NOTE 3                 | FINISH<br>-                            |                                 | 6:1   | 1 OF 1    | B          |               |

## X-ON Electronics

Largest Supplier of Electrical and Electronic Components

*Click to view similar products for [Heavy Duty Power Connectors](#) category:*

*Click to view products by [TE Connectivity](#) manufacturer:*

Other Similar products are found below :

[647757-1](#) [6643411-1](#) [6646058-2](#) [6646137-1](#) [6646138-1](#) [6646479-1](#) [6646608-1](#) [6646786-1](#) [6646940-1](#) [6651091-1](#) [6651525-1](#) [6651529-1](#)  
[6651788-1](#) [696475-1](#) [702-32-01109](#) [703-25-02205](#) [73000005059](#) [73000005642](#) [73080255059](#) [73080965046](#) [765-15-0080A](#) [765-16-0080B](#)  
[765-18-0080D](#) [829992-1](#) [902-77-02113](#) [PS00/A0620/6300](#) [PS25/A0420/63](#) [129-1J](#) [1409400](#) [AN0024023](#) [E6374G1](#) [e6389g2](#) [157-43GW8](#)  
[MS3117-14AC](#) [1643543-1](#) [1650540-1](#) [1651811-2](#) [1766260-1](#) [1766282-1](#) [1766966-1](#) [1791340000](#) [NLDFT-3-BL-L-S120-M40A](#) [NLDFT-N-](#)  
[W-L-C240-M40B](#) [NLS-2-R-C240-M40B](#) [NLS-N-W-C240-M40B](#) [NPS-3-BL-T6](#) [1986615-1](#) [2-1589900-8](#) [2199314-1](#) [KA8102](#)