

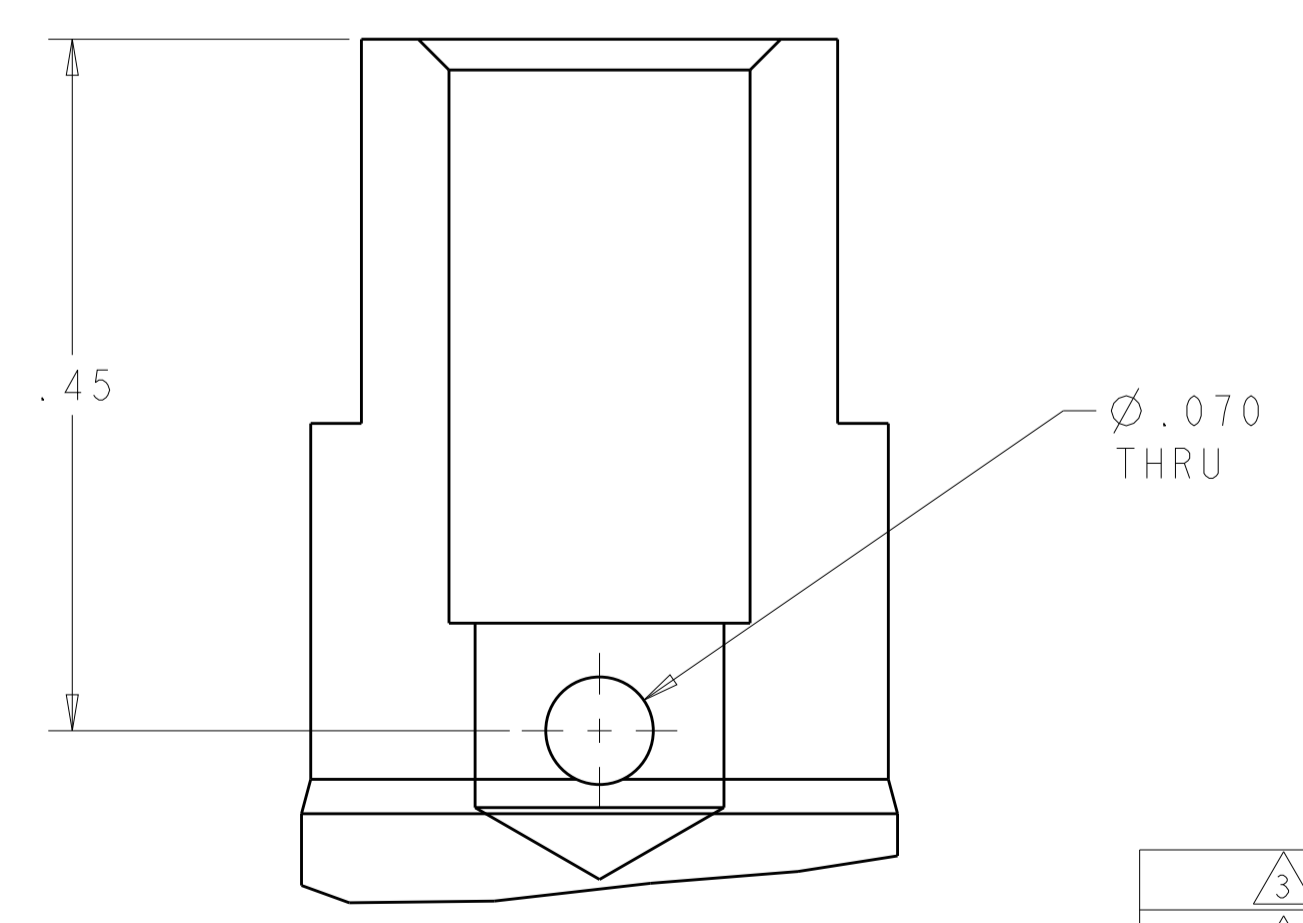
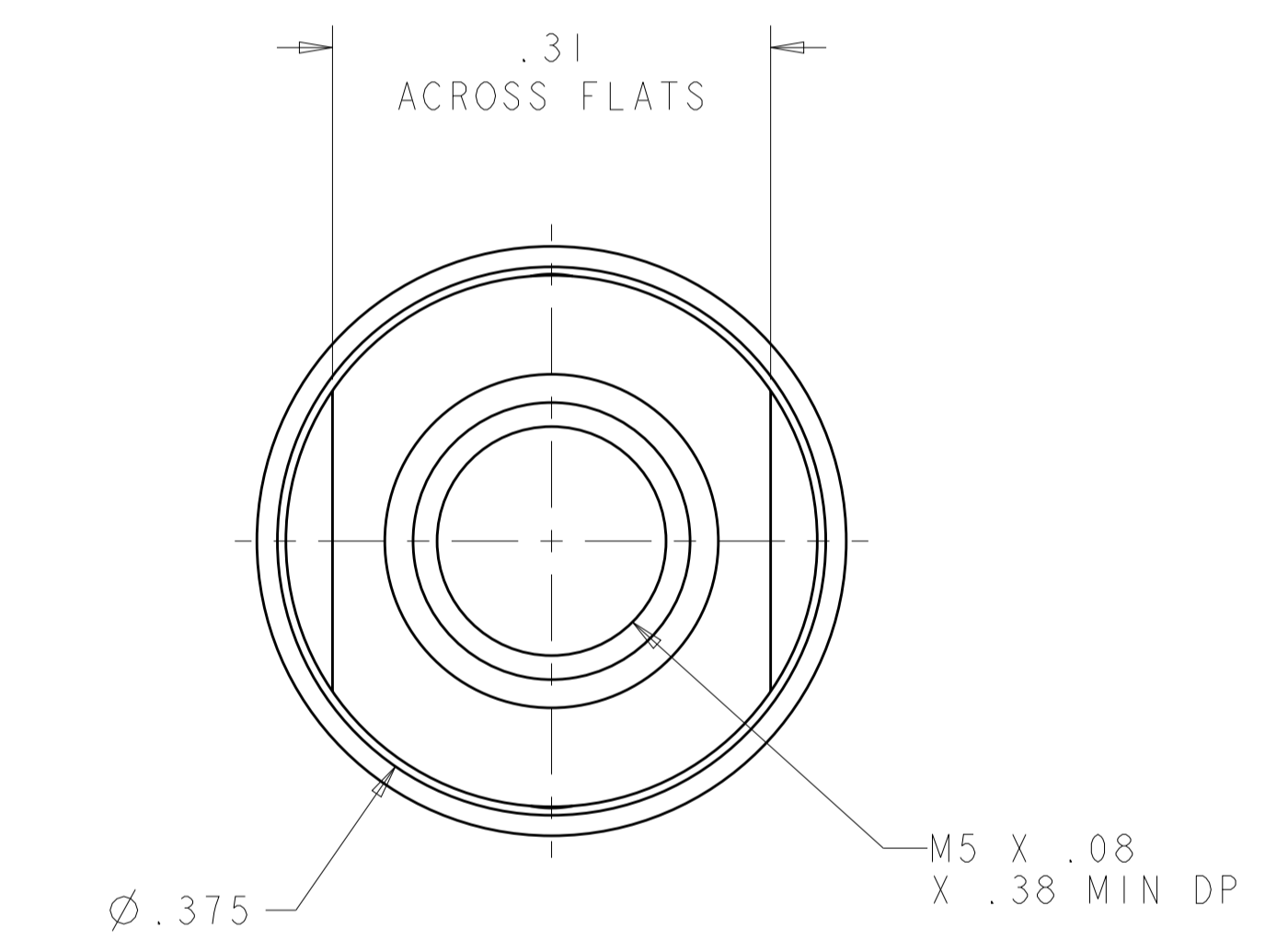
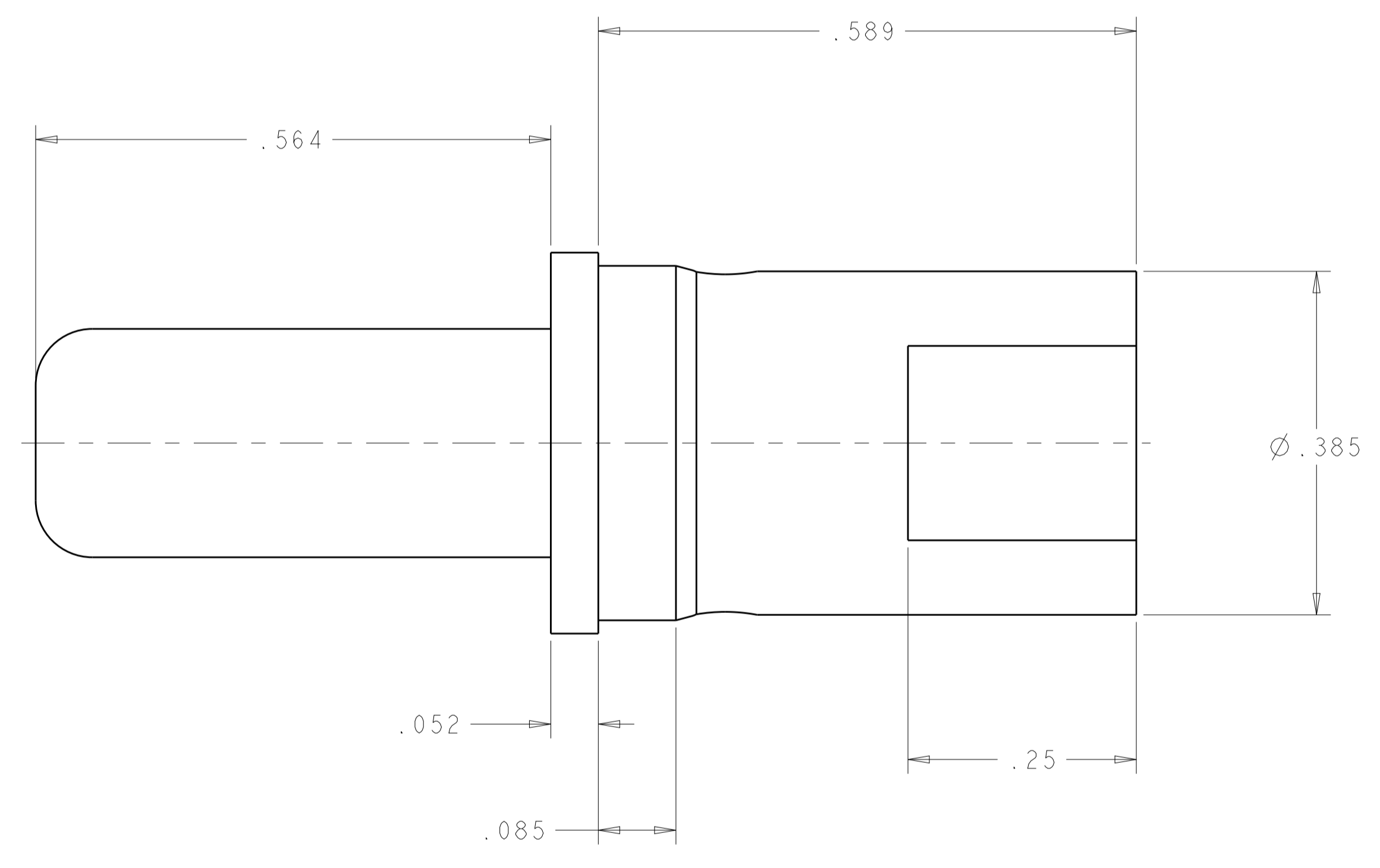
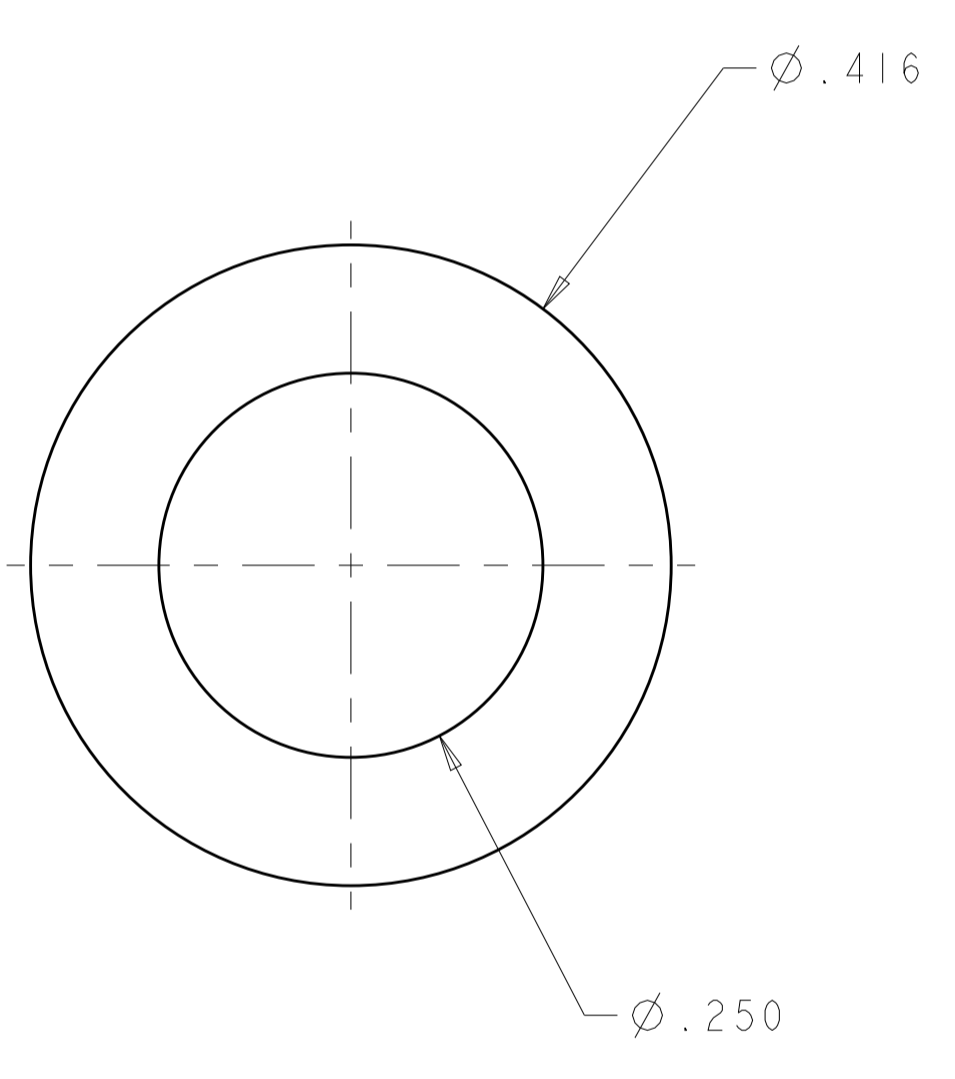

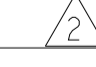



LOC		DIST		REVISONS			
P	LTN	DESCRIPTION	DATE	DMN	APVD		
D		REVISED PER ECO-12-017092	27SEP2012	KH	DO		

- MATERIAL: COPPER ALLOY
-  SILVER PLATE .000200 MIN THK. OVER NICKEL PLATE .000050 MIN THK. TARNISH RESISTANT COATING OVER ALL
-  GOLD PLATE .000030 MIN THK. OVER NICKEL PLATE .000050 MINIMUM THK.
- PART NUMBER CHANGES AND OR DESIGN CHANGES AFFECTING ITEM INTERCHANGEABILITY REQUIRE TYCO ELECTRONICS APPROVAL AND AUTHORIZATION BY REVISION TO THIS DRAWING.



	1766283-2
	1766283-1
FINISH	PART NO

THIS DRAWING IS A CONTROLLED DOCUMENT.		DMN: HM VAN SCIO 26MAR2008	 TE Connectivity
DIMENSIONS: INCHES		CHK: D. DEBRAUGH 26MAR2008	
TOLERANCES UNLESS OTHERWISE SPECIFIED:		APVD: D. DEBRAUGH 26MAR2008	NAME: CONTACT, PIN, .250 DIA, M5 X .08 INT. THD. TAPPED DRAWER, DOMINO
0 PLC ± .01	1 PLC ± .01	PRODUCT SPEC	SIZE: A100779
2 PLC ± .003	3 PLC ± .003	APPLICATION SPEC	CAGE CODE: 1766283
4 PLC ± .003	ANGLES ± .5°	FINISH	RESTRICTED TO: -
MATERIAL: -	FINISH: -	WEIGHT: -	CUSTOMER DRAWING
SCALE: 4:1		SHEET: 1 OF 1	REV: D

X-ON Electronics

Largest Supplier of Electrical and Electronic Components

Click to view similar products for [Heavy Duty Power Connectors](#) category:

Click to view products by [TE Connectivity](#) manufacturer:

Other Similar products are found below :

[647757-1](#) [6643411-1](#) [6646058-2](#) [6646137-1](#) [6646138-1](#) [6646479-1](#) [6646608-1](#) [6646786-1](#) [6646940-1](#) [6651091-1](#) [6651525-1](#) [6651529-1](#)
[6651788-1](#) [696475-1](#) [702-32-01109](#) [703-25-02205](#) [73000005059](#) [73000005642](#) [73080255059](#) [73080965046](#) [765-15-0080A](#) [765-16-0080B](#)
[765-18-0080D](#) [829992-1](#) [902-77-02113](#) [PS00/A0620/6300](#) [PS25/A0420/63](#) [129-1J](#) [1409400](#) [AN0024023](#) [E6374G1](#) [e6389g2](#) [157-43GW8](#)
[MS3117-14AC](#) [1643543-1](#) [1650540-1](#) [1651811-2](#) [1766260-1](#) [1766282-1](#) [1766966-1](#) [1791340000](#) [NLDFT-3-BL-L-S120-M40A](#) [NLDFT-N-](#)
[W-L-C240-M40B](#) [NLS-2-R-C240-M40B](#) [NLS-N-W-C240-M40B](#) [NPS-3-BL-T6](#) [1986615-1](#) [2-1589900-8](#) [2199314-1](#) [KA8102](#)