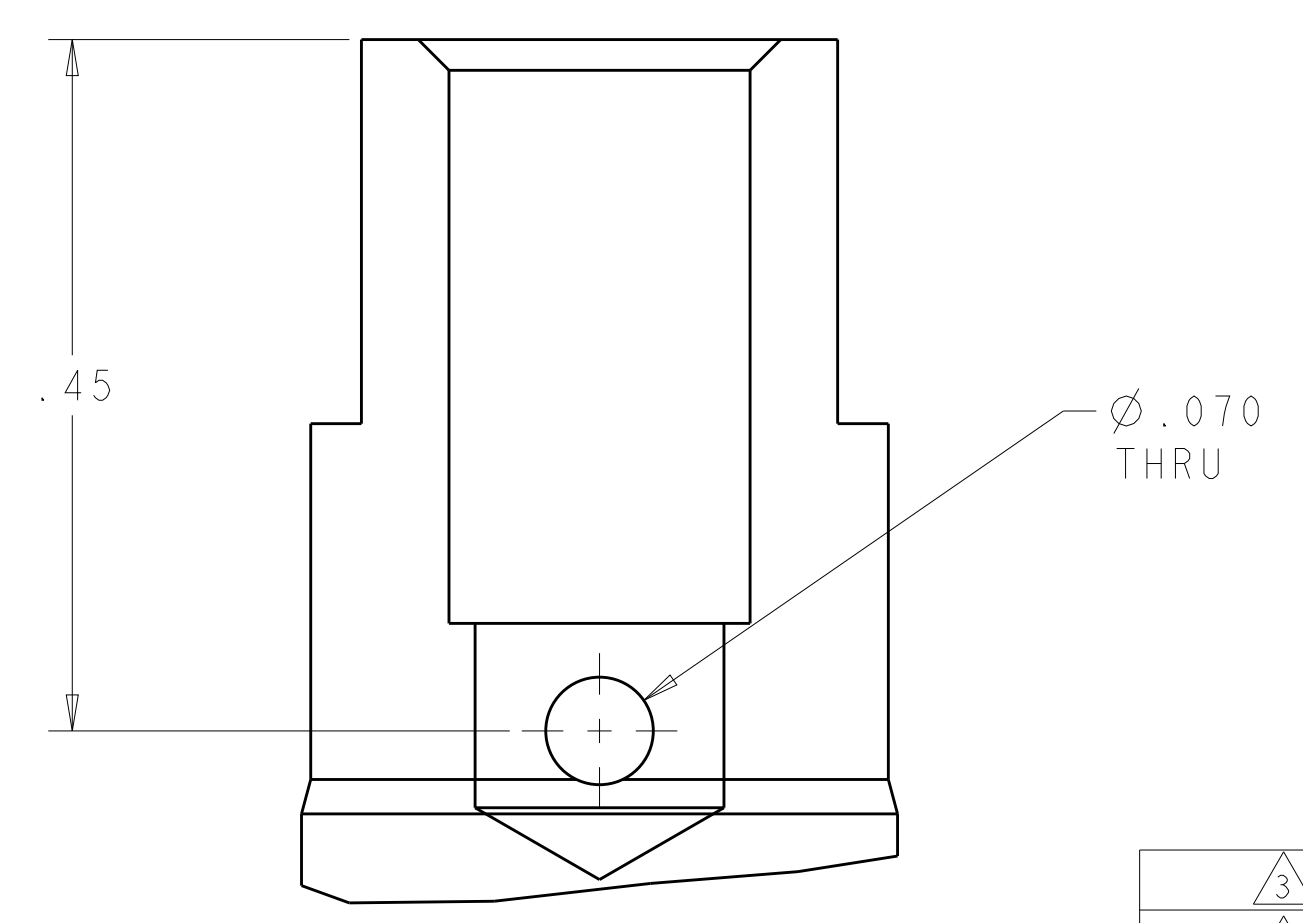
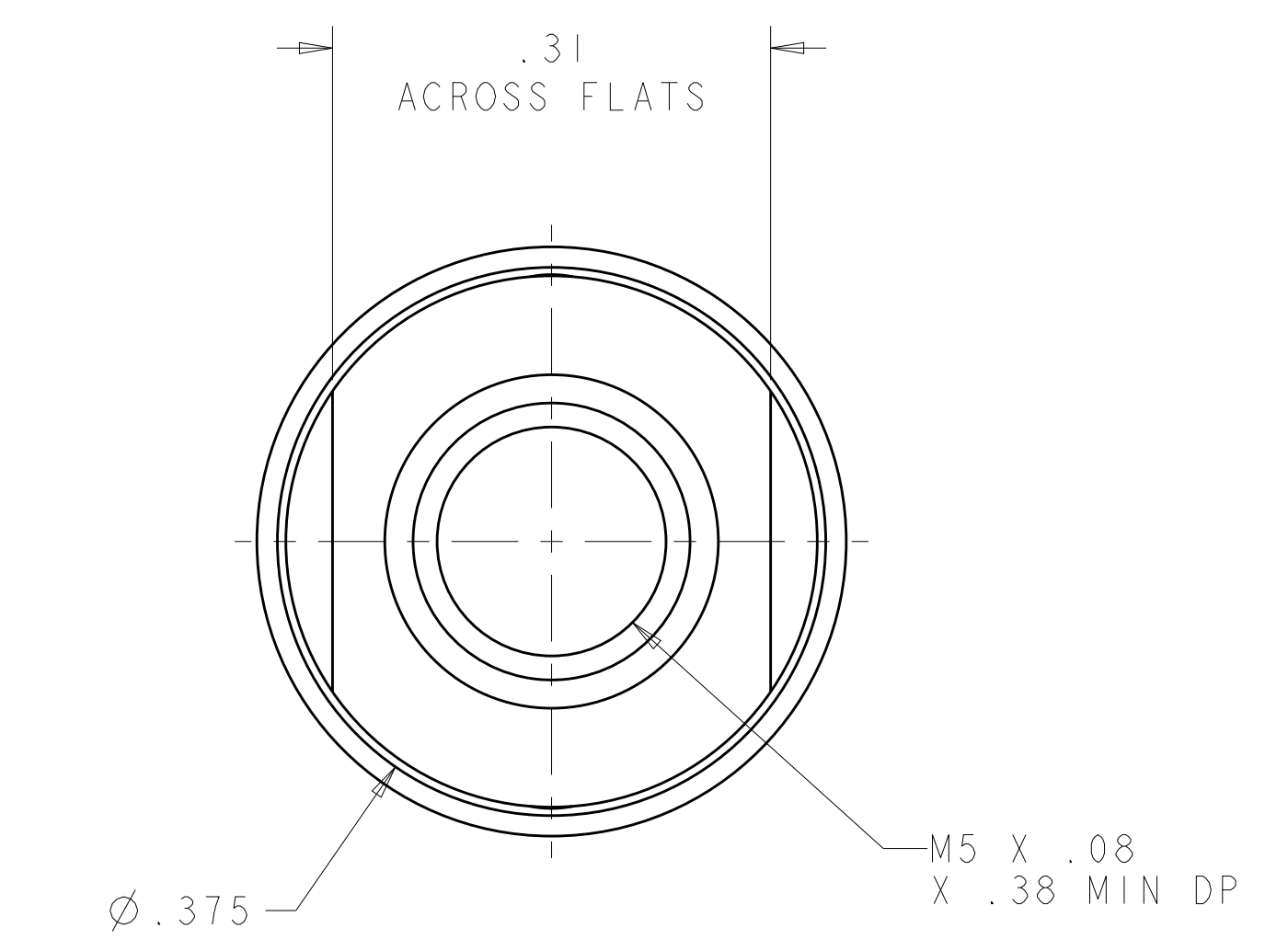
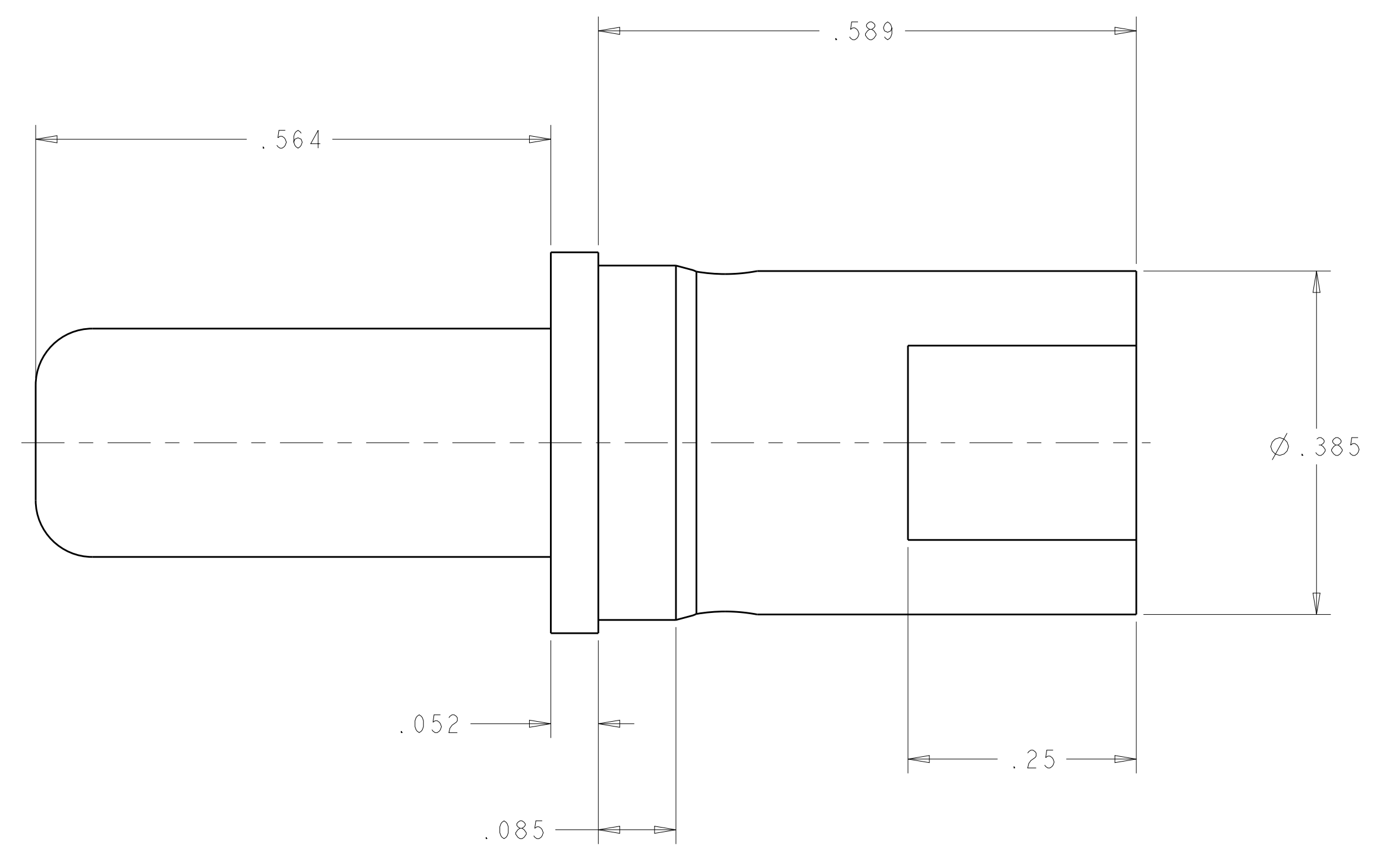
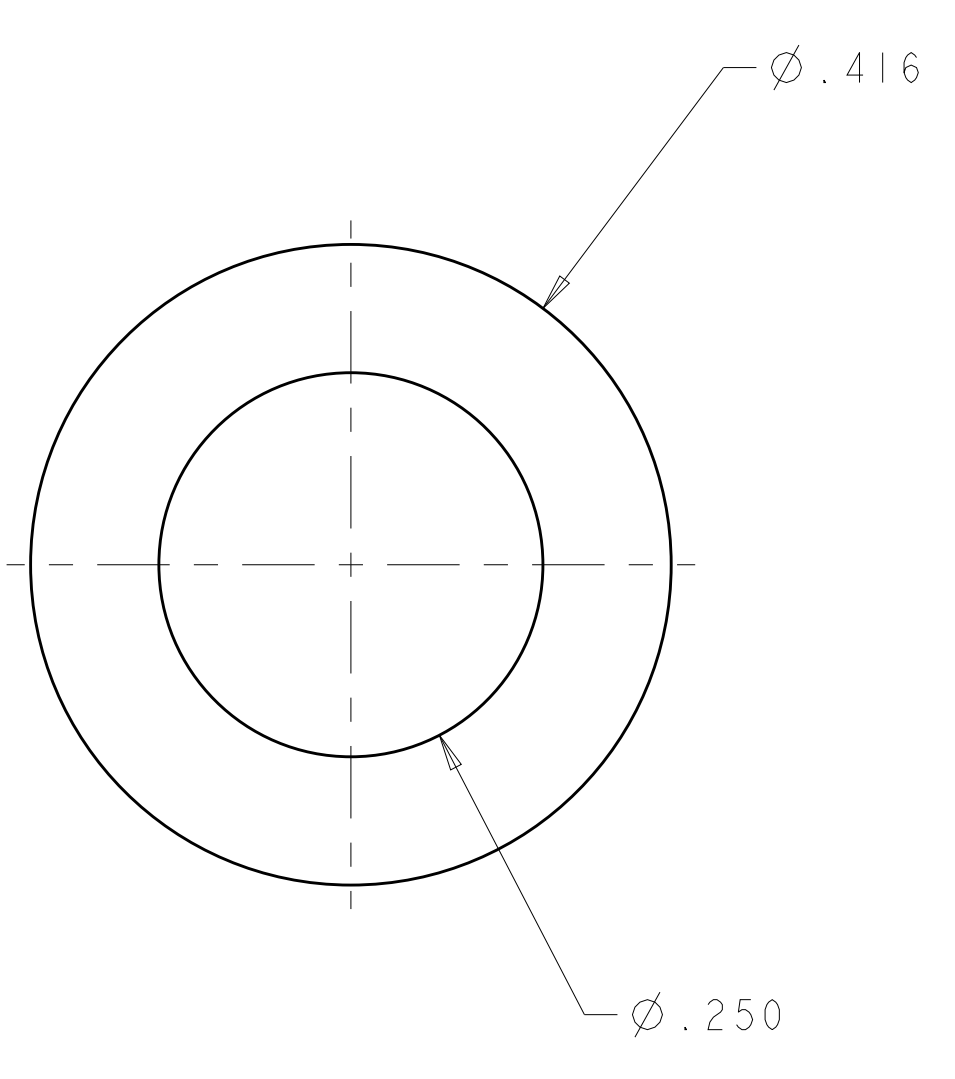


LOC		DIST		REVISONS			
P	LTN	DESCRIPTION	DATE	DMN	APVD		
D		REVISED PER ECO-12-017092	27SEP2012	KH	DO		

1. MATERIAL: COPPER ALLOY
2. SILVER PLATE .000200 MIN THK. OVER NICKEL PLATE .000050 MIN THK. TARNISH RESISTANT COATING OVER ALL
3. GOLD PLATE .000030 MIN THK. OVER NICKEL PLATE .000050 MINIMUM THK.
4. PART NUMBER CHANGES AND OR DESIGN CHANGES AFFECTING ITEM INTERCHANGEABILITY REQUIRE TYCO ELECTRONICS APPROVAL AND AUTHORIZATION BY REVISION TO THIS DRAWING.



3	1766283-2
2	1766283-1
FINISH	PART NO

THIS DRAWING IS A CONTROLLED DOCUMENT.		DMN: HM VAN SCOY 26MAR2008	TE Connectivity	
DIMENSIONS: INCHES		CHK: D. DEFIBAUGH 26MAR2008	STE CONTACT, PIN, .250 DIA, M5 X .08 INT. THD. TAPPED DRAWER, DOMINO	
TOLERANCES UNLESS OTHERWISE SPECIFIED:		APVD: D. DEFIBAUGH 26MAR2008		
0 PLC	±	PRODUCT SPEC	SIZE: A100779C=1766283	
1 PLC	±.01	APPLICATION SPEC	RESTRICTED TO	
2 PLC	±.03	FINISH	SCALE: 4:1 SHEET 1 OF 1 REV D	
3 PLC	±.003	WEIGHT		
4 PLC	±	CUSTOMER DRAWING		
ANGLES	±°			

X-ON Electronics

Largest Supplier of Electrical and Electronic Components

Click to view similar products for [Heavy Duty Power Connectors](#) category:

Click to view products by [TE Connectivity](#) manufacturer:

Other Similar products are found below :

[647757-1](#) [6643411-1](#) [6646058-2](#) [6646137-1](#) [6646138-1](#) [6646479-1](#) [6646608-1](#) [6646786-1](#) [6646940-1](#) [6651091-1](#) [6651525-1](#) [6651529-1](#)
[6651788-1](#) [696475-1](#) [702-32-01109](#) [703-25-02205](#) [73000005059](#) [73000005642](#) [73080255059](#) [73080965046](#) [765-15-0080A](#) [765-16-0080B](#)
[765-18-0080D](#) [829992-1](#) [902-77-02113](#) [PS00/A0620/6300](#) [PS25/A0420/63](#) [129-1J](#) [1409400](#) [AN0024023](#) [E6374G1](#) [e6389g2](#) [157-43GW8](#)
[MS3117-14AC](#) [1643543-1](#) [1650540-1](#) [1651811-2](#) [1766260-1](#) [1766282-1](#) [1766966-1](#) [1791340000](#) [NLDFT-3-BL-L-S120-M40A](#) [NLDFT-N-](#)
[W-L-C240-M40B](#) [NLS-2-R-C240-M40B](#) [NLS-N-W-C240-M40B](#) [NPS-3-BL-T6](#) [1986615-1](#) [2-1589900-8](#) [2199314-1](#) [KA8102](#)