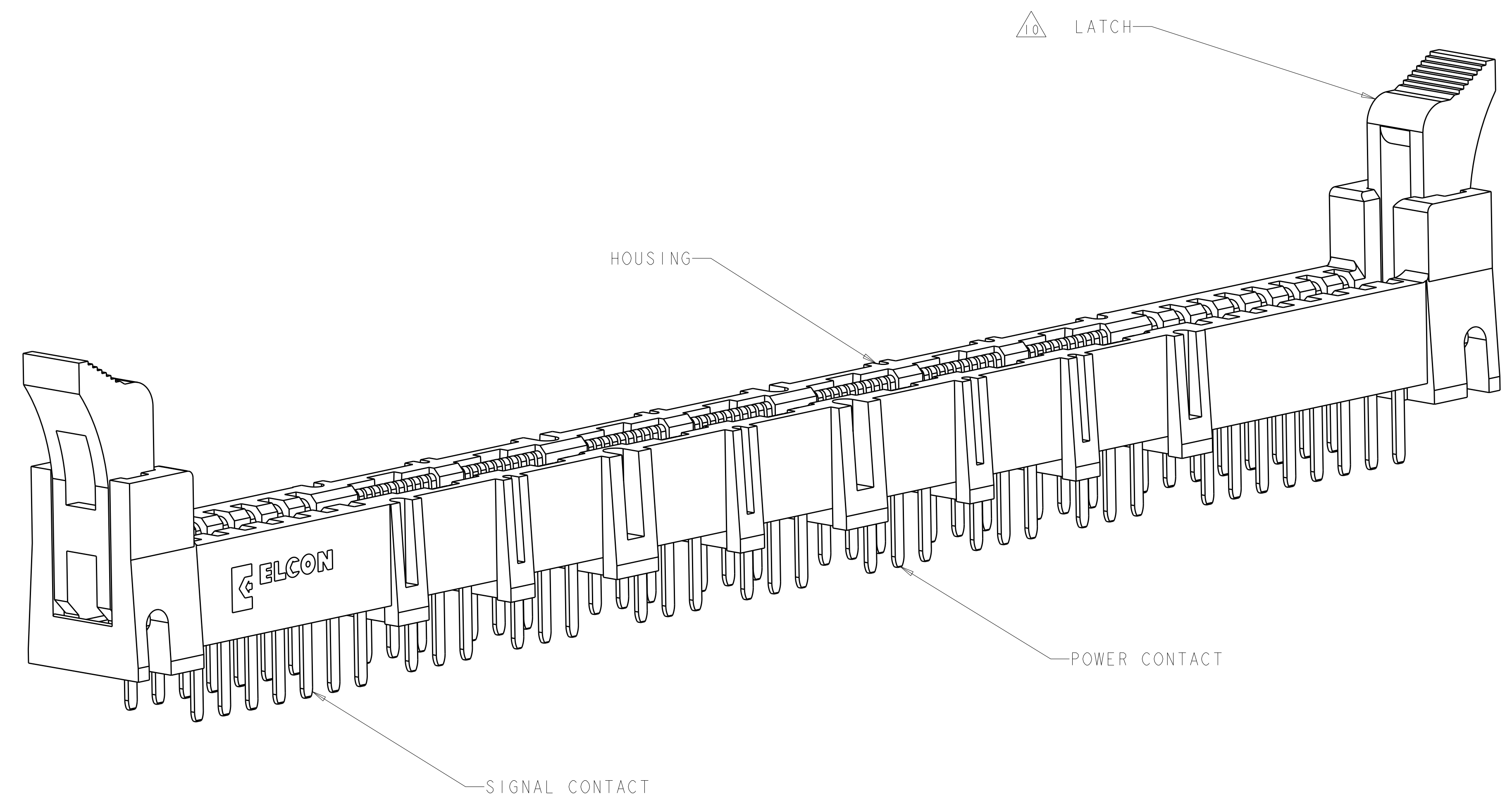


LOC	DIST	REVISIONS			
		REV	DATE	BY	APPD
GP	00	F	REV PER ECO-09-027020	08JAN2010	RG MS



1. PART NUMBER CHANGES AND OR DESIGN CHANGES AFFECTING ITEM INTERCHANGEABILITY REQUIRE PRIOR TYCO ELECTRONICS APPROVAL AND AUTHORIZATION BY REVISION TO THIS DRAWING.

△ MATERIAL:
 HOUSING: GLASS FILLED POLYESTER, COLOR-BLACK
 UL94V-0 FLAMMABILITY RATED
 LATCHES: THERMOPLASTIC, GLASS REINFORCED
 COLOR: BLACK, UL94V-0 FLAMMABILITY RATED
 CONTACTS: COPPER ALLOY

△ FINISH:
 CONTACTS:
 GOLD PLATE 0.76µm MIN THK. OVER
 NICKEL 1.27µm MIN THK.
 SOLDER TAILS - TIN PLATE 3.05µm MIN THK. OVER
 NICKEL 1.27µm MIN THK.

4. ITEMS PROVIDED TO THIS SPECIFICATION TO BE PERMANENTLY IDENTIFIED WITH PART NUMBER AND DATE CODE.

△ 5. MAXIMUM BURR OF 0.013 ON CARD TAB AREA.

△ 6. SET TRACE BACK FROM PC BOARD EDGE. NO SOLDERMASK ALLOWED BETWEEN PC BOARD EDGE AND TRACE.

△ 7. CONNECTOR ACCEPTS 2.36±0.13 THICK PC BOARD.

△ 8. KEEP OUT AREA FOR COMPONENTS ONLY.

△ 9. FEATURE REQUIRED FOR USE WITH LATCH.

△ 10. CAUTION:
 LATCHES ARE INTENDED FOR RETENTION OF PC BOARD TO CONNECTOR. DO NOT ATTEMPT TO FULLY EJECT PC BOARD FROM CONNECTOR WHILE DISENGAGING LATCHES, DAMAGE TO LATCHES AND OR CONNECTOR MAY OCCUR.

△ 11. RECOMMENDED GOLD FINGER LENGTH FOR RELIABLE CONTACT.

12. FOR DESIGN OBJECTIVES SEE 108-2301.

△ 13. RECOMMENDED PRINTED CIRCUIT HOLE:
 FINISHED HOLE: $\varnothing 1.02 \pm .08$
 DRILLED HOLE: $\varnothing 1.15 \pm .013$
 COPPER PLATE: .025 MIN. (PER SURFACE)
 TIN PLATE: .008 MIN (PER SURFACE)

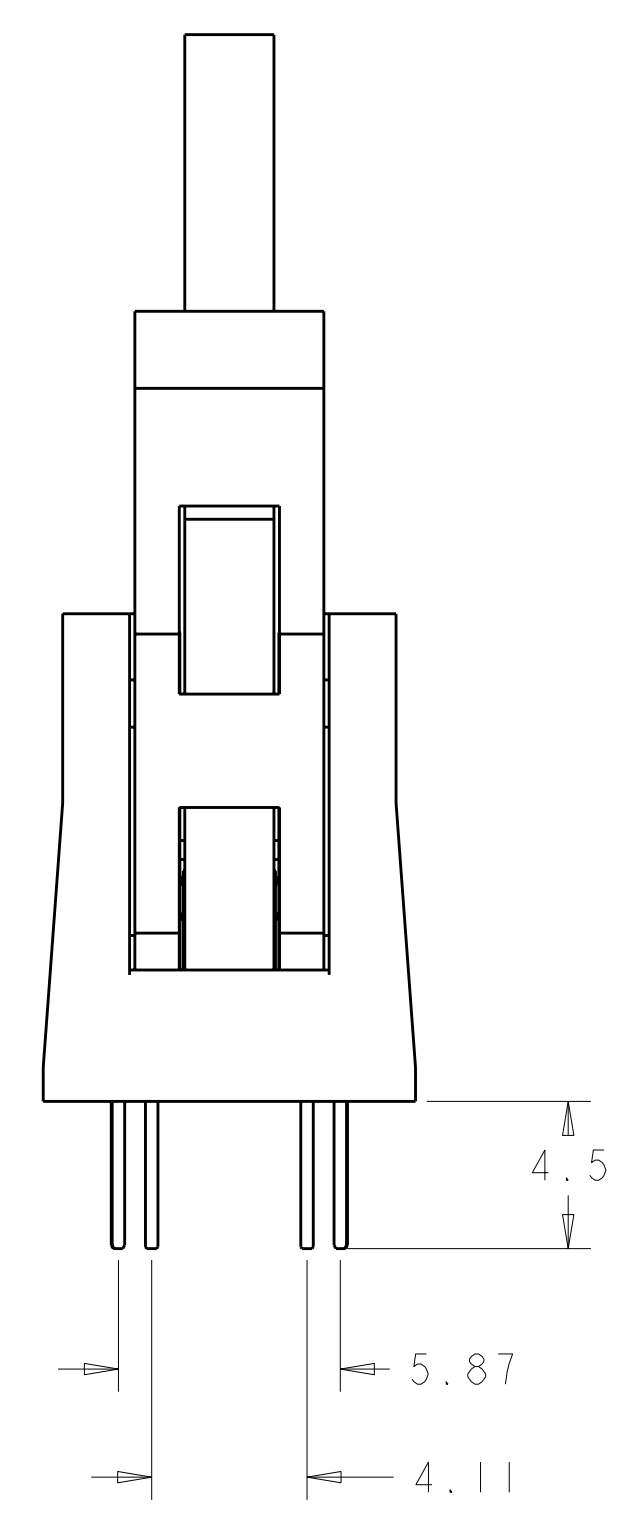
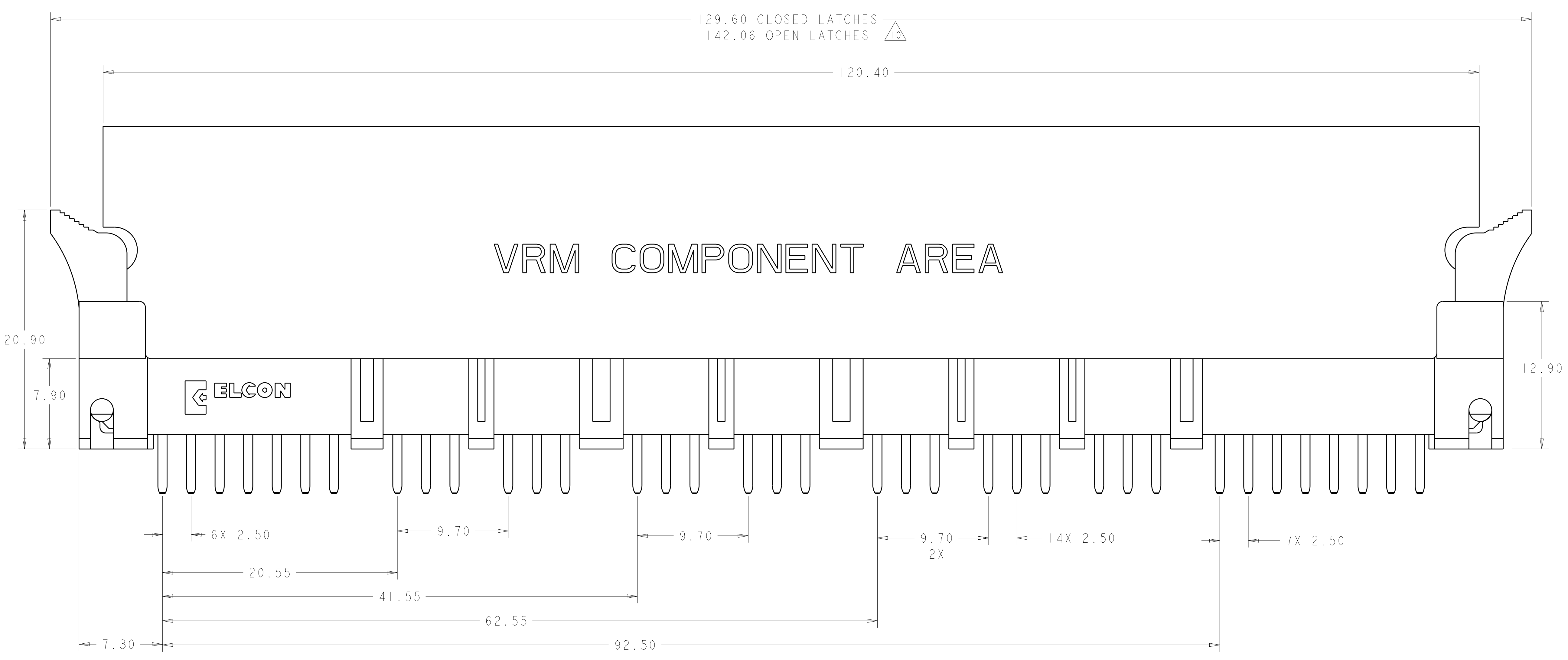
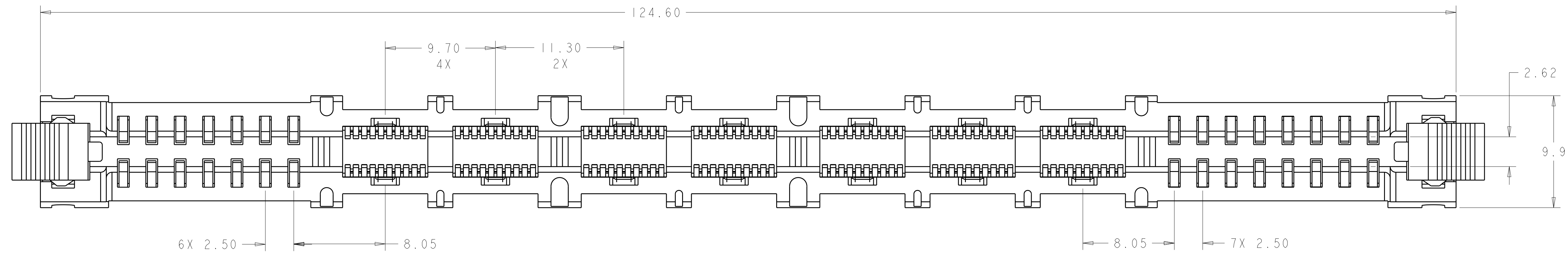
△ 14. DATUMS AND BASIC DIMENSIONS ESTABLISHED BY CUSTOMER

AS SHOWN	1766308-1
DESCRIPTION	PART NO.

<small>THIS DRAWING IS UNPUBLISHED. RELEASED FOR PUBLICATION 20 © COPYRIGHT 20 BY TYCO ELECTRONICS CORPORATION, ALL RIGHTS RESERVED.</small>		DWN HA/GRZYBOWSKI 08JAN09 CHK P.DAMATO 08JAN09 APVD CHAU/PERCHERRE 08JAN09	Tyco Electronics Harrisburg, PA 17105-3608
DIMENSIONS: mm 	TOLERANCES UNLESS OTHERWISE SPECIFIED: 9 PLC ±.5 1 PLC ±.5 5 PLC ±.25 4 PLC ±.0001 ANGLES ±.5 FINISH	NAME PRODUCT SPEC APPLICATION SPEC WEIGHT	SOCKET CONNECTOR ASSEMBLY W/LATCHES MC-PI4S30, MINI CROWN EDGE SIZE CAGE CODE DRAWING NO A100779C=1766308 RESTRICTED TO CUSTOMER DRAWING SCALE 5:1 SHEET 1 OF 4 REV F

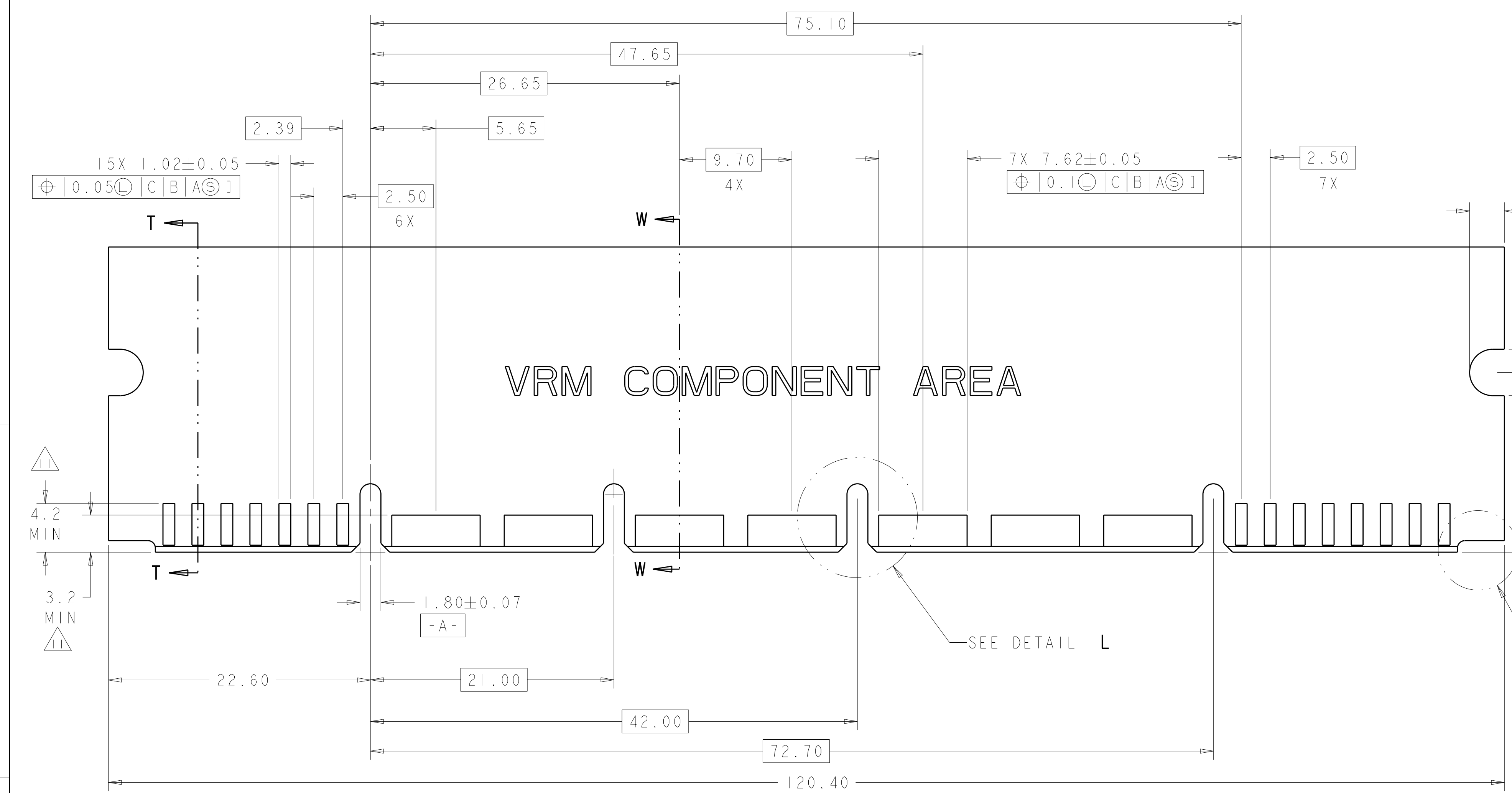
LOC	DIST	REV	DATE	BY	APPD
GP	00				

REVISIONS			
NO.	DESCRIPTION	DATE	BY
1	SEE SHEET 1	-	-



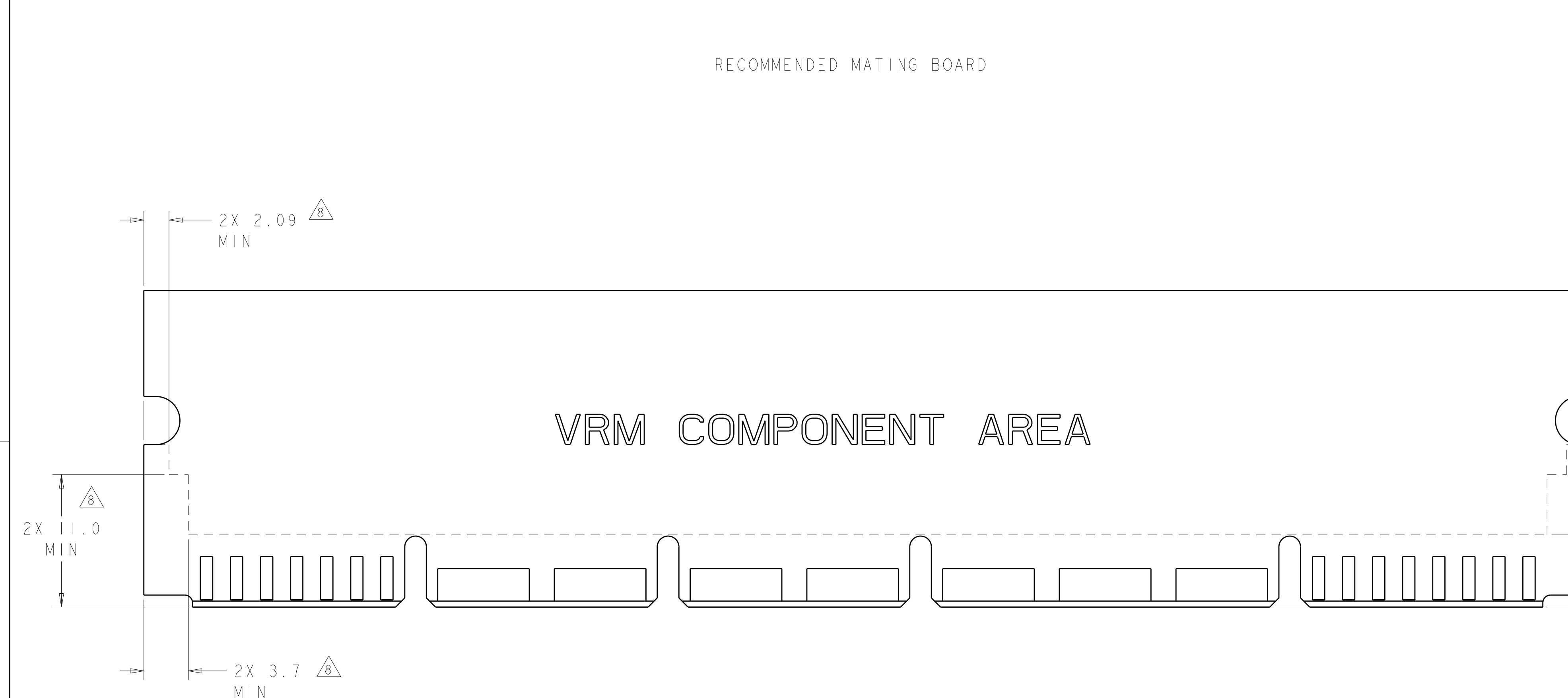
DIMENSIONS: mm 		TOLERANCES UNLESS OTHERWISE SPECIFIED: 9 PLC ±.5 5 PLC ±.25 4 PLC ±.0001 ANGLES ±.5 FINISH		DWN HA/GRZYBOWSKI 08JAN09 CHK P.DAMATO 08JAN09 APVD CHAU/PERCHERRE 08JAN09 PRODUCT SPEC APPLICATION SPEC WEIGHT CUSTOMER DRAWING		Tyco Electronics Harrisburg, PA 17105-3608 NAME SOCKET CONNECTOR ASSEMBLY W/LATCHES MC-PI4S30, MINI CROWN EDGE SIZE CAGE CODE DRAWING NO A1100779C=1766308 RESTRICTED TO	
SCALE 5:1		SHEET 2 OF 4		REV F			

LOC	DIST	REV	DATE	BY	APPD
GP	00				
REVISIONS			DESCRIPTION	DATE	DWN
			SEE SHEET 1		



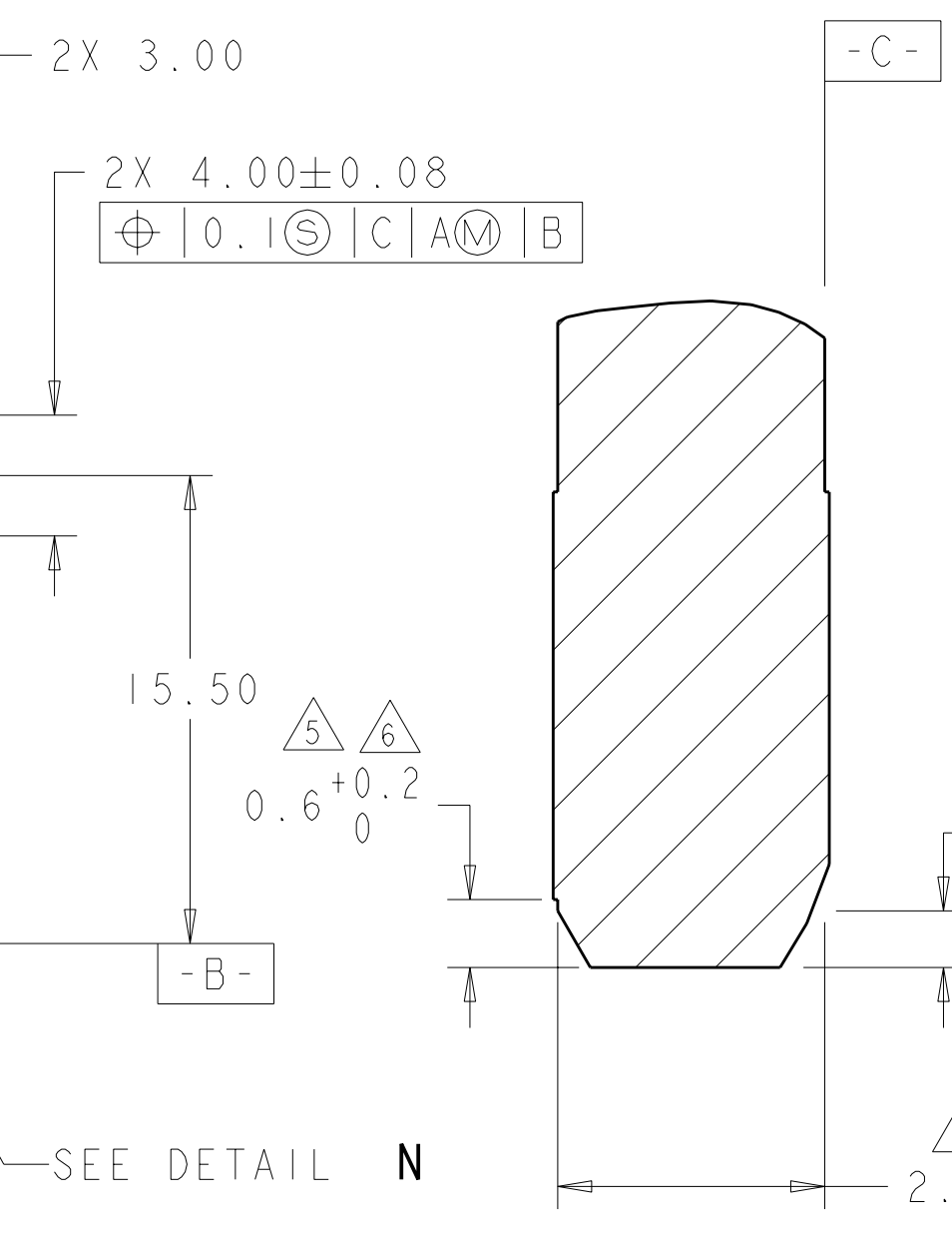
VRM COMPONENT AREA

RECOMMENDED MATING BOARD

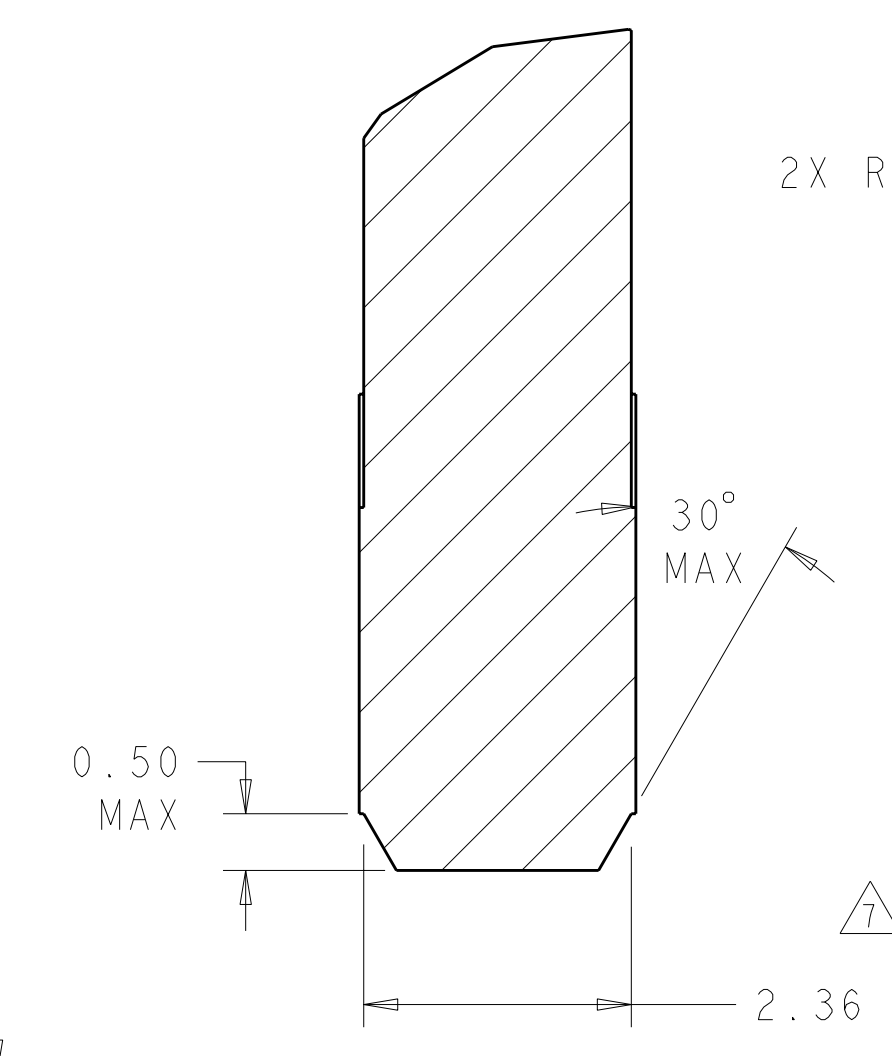
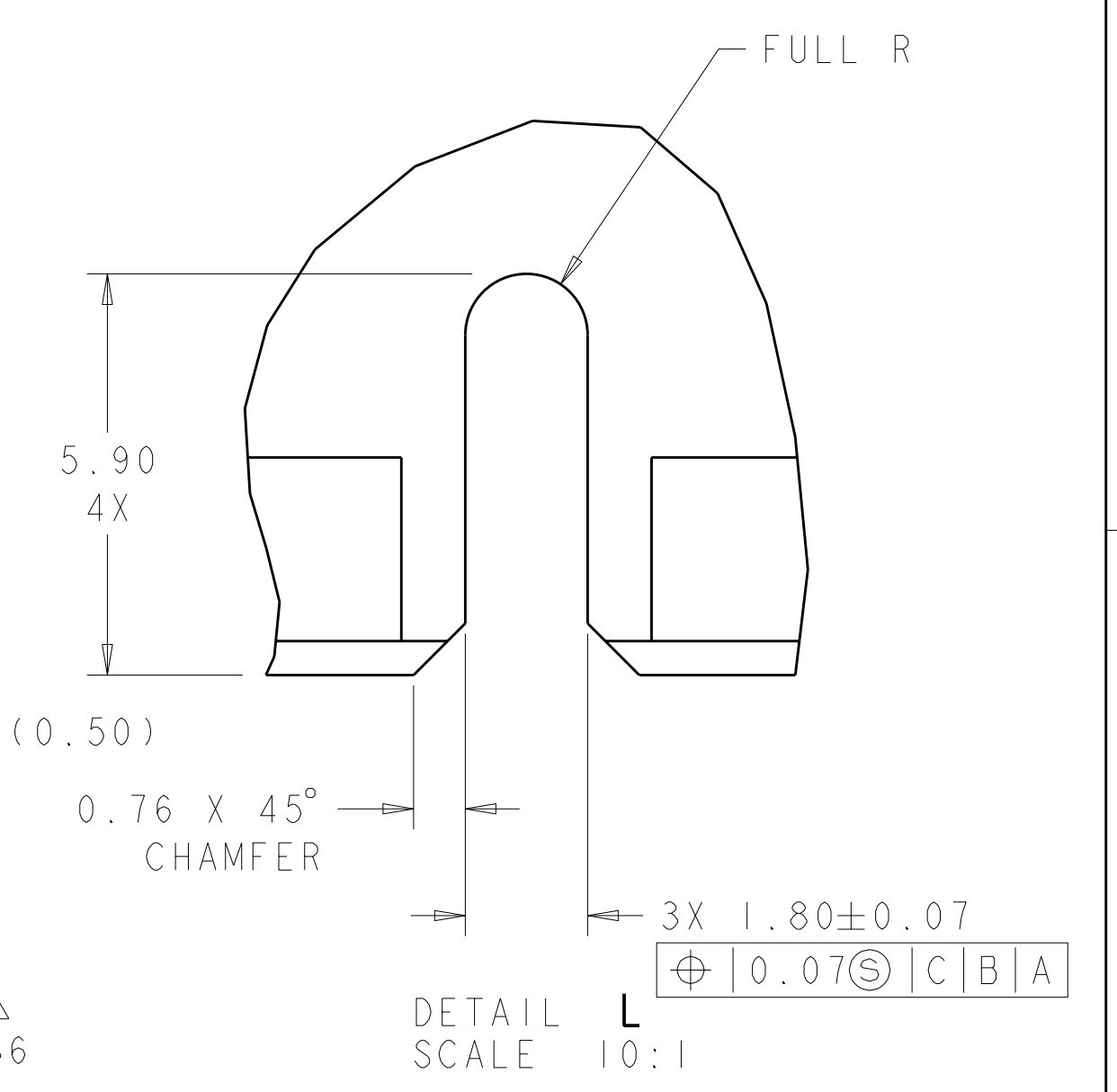


VRM COMPONENT AREA

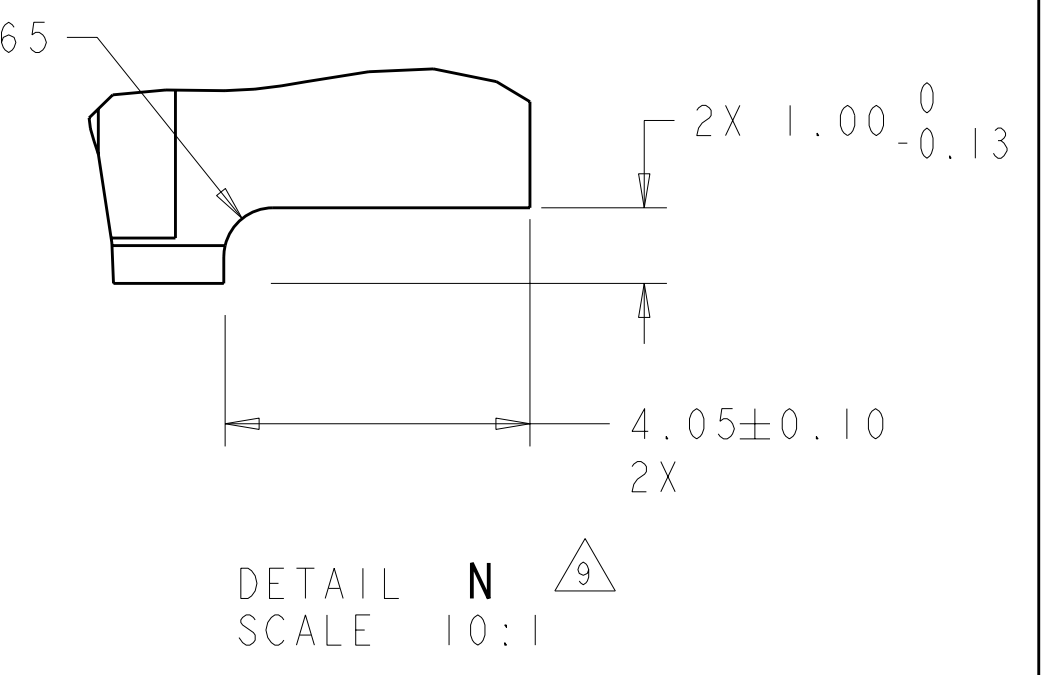
RECOMMENDED PC BOARD KEEP OUT AREA



SECTION T-T
SCALE 15:1



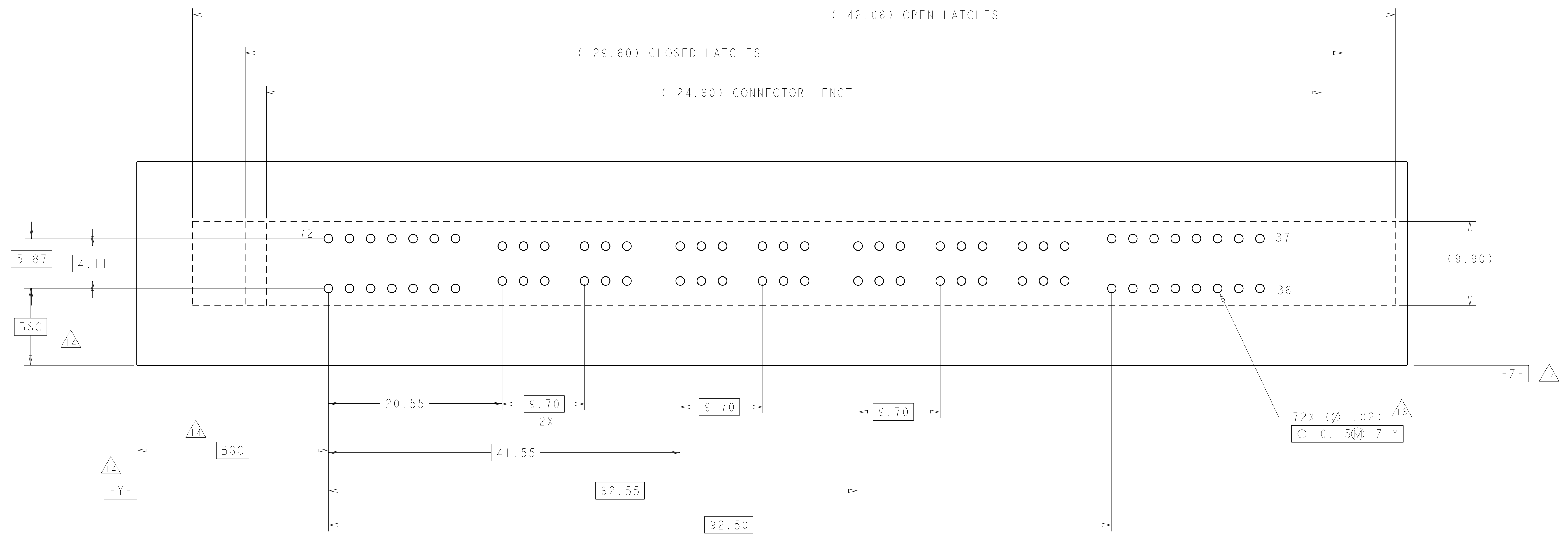
SECTION W-W
SCALE 15:1



DETAIL N
SCALE 10:1

DIMENSIONS:		TOLERANCES UNLESS OTHERWISE SPECIFIED:		DWN HA/GRZYBOWSKI 08JAN09		Tyco Electronics	
mm	9 PLC ±.5	1 PLC ±.25	5 PLC ±.25	CHK P.DAMATO 08JAN09	NAME		Tyco Electronics Harrisburg, PA 17105-3608
	4 PLC ±.0001	ANGLES ±.5		APPD CHAU/PERCHERRE 08JAN09	PRODUCT SPEC		SOCKET CONNECTOR ASSEMBLY W/LATCHES
MATERIAL	FINISH	WEIGHT			APPLICATION SPEC		MC-PI4S30, MINI CROWN EDGE
					SIZE CAGE CODE DRAWING NO		RESTRICTED TO
					A1100779C=1766308		
CUSTOMER DRAWING				SCALE 5:1		SHEET 3 OF 4 REV F	

LOC	DIST	REVISIONS					
GP	00	P	LTR	DESCRIPTION	DATE	DWN	APVD
-	-	-	-	SEE SHEET 1	-	-	-



RECOMMENDED P.C. BOARD GUIDELINE
 AS VIEWED FROM CONNECTOR SIDE

<small>THIS DRAWING IS UNPUBLISHED. RELEASED FOR PUBLICATION BY TYCO ELECTRONICS CORPORATION. IT IS SUBJECT TO CHANGE WITHOUT NOTICE AND WITHOUT OBLIGATION. SHOULD BE CONTACTED FOR THE LATEST REVISION.</small>		DWN HA/GRZYBOWSKI 08JAN09 CHK P.DAMATO 08JAN09	Tyco Electronics Harrisburg, PA 17105-3608
DIMENSIONS: mm 	TOLERANCES UNLESS OTHERWISE SPECIFIED: 0 PLC ±.5 1 PLC ±.5 2 PLC ±.25 3 PLC ±.25 4 PLC ±.0001 ANGLES ±.5 FINISH	APVD CHAU/PERCHERRE 08JAN09 PRODUCT SPEC APPLICATION SPEC WEIGHT CUSTOMER DRAWING	NAME SOCKET CONNECTOR ASSEMBLY W/LATCHES MC-PI4S30, MINI CROWN EDGE SIZE CAGE CODE DRAWING NO A100779C=1766308 RESTRICTED TO SCALE 5:1 SHEET 4 OF 4 REV F

X-ON Electronics

Largest Supplier of Electrical and Electronic Components

Click to view similar products for [Standard Card Edge Connectors](#) category:

Click to view products by [TE Connectivity](#) manufacturer:

Other Similar products are found below :

[CR7E-30DB-3.96E\(72\)](#) [6364499-1](#) [6565204-6](#) [PKC-156](#) [1437274-4](#) [147889-1](#) [1489165-4](#) [EBT15622B2X](#) [1-582587-1](#) [284-0102-12100](#)
[286-0052-12101A](#) [306022901000000](#) [307-012-502-202](#) [307-056-520-300](#) [2129318-1](#) [245-062-520-350](#) [287-0032-12101](#) [306-028-525-102](#)
[307-072-526-202](#) [345-060-559-303](#) [392-008-559-201](#) [534671-1](#) [341-240-317](#) [345-044-500-300](#) [346-240-318](#) [395-100-524-300](#) [09-07-2032](#)
[10035388-802LF](#) [10115859-011LF](#) [10122859-009LF](#) [10127905-B04B24BLF](#) [530555-1](#) [5-678046-1](#) [73726-0005](#) [66308-1](#) [1-1437275-6](#)
[PEC-07-02-T-S-A](#) [346-014-520-801](#) [307-048-502-202](#) [CE100F22-9-C](#) [CE100F26-7-C](#) [CE100F28-3-D](#) [CE156F18-9-C](#) [CE156F22-5-D](#)
[CE156F22-9-C](#) [CT100F22-2-D](#) [CT100F22-3-D](#) [CT100F24-2-D](#) [CT100F24-3-D](#) [CT100F24-6-C](#)