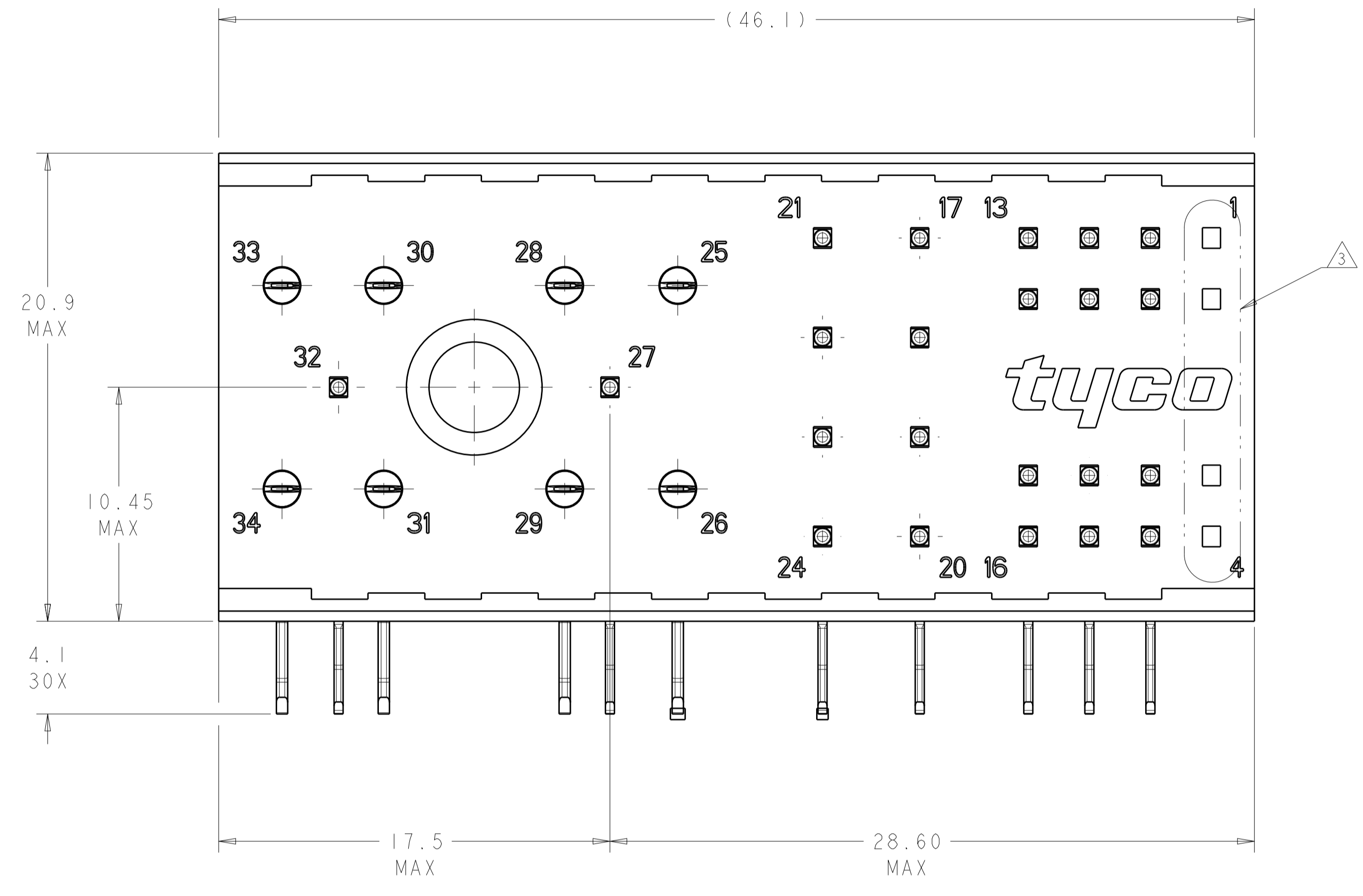
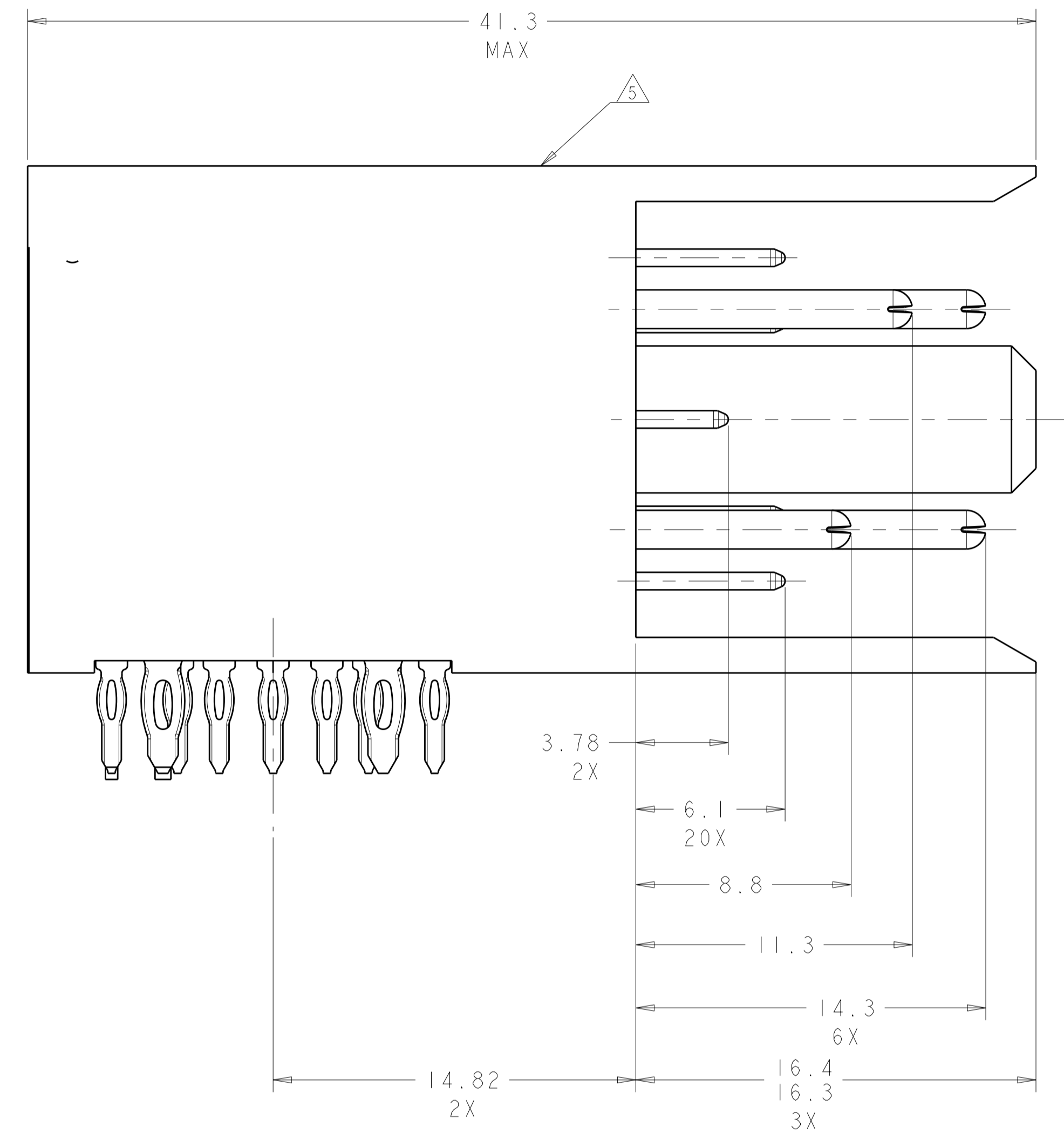


LOC	DIST	REVISIONS					
		P	LTN	DESCRIPTION	DATE	DWN	APVD
GP	00	E1		REVISED PER ECO-11-005033	19MAR2011	RK	HMR
		E2		REMOVE PRELIMINARY MARK	24NOV2011	OL	SZ
		F		REV PER ECR-12-016995	04NOV2012	OL	SZ



- 1 MATERIALS:**  
 HOUSING: HIGH TEMP THERMOPLASTIC, UL94V-0, GRAY.  
 SIGNAL CONTACTS: COPPER ALLOY  
 POWER CONTACTS: COPPER ALLOY
- 2 CONTACT FINISH:**  
 ALL OVER: 0.00127 MIN NICKEL  
 COMPLIANT PIN AREA: 0.00127 MIN TIN  
 MATING AREA: 0.00076 MIN GOLD
- 3 POSITIONS 1-4 ARE UNPOPULATED AND RESERVED FOR FUTURE USE.**
- 4 HOLES INDICATED ARE NOT REQUIRED FOR TE CONNECTIVITY PRODUCT.**
- 5 TE CONNECTIVITY PART NUMBER AND DATE CODE (YYWW) LOCATED ON SURFACE INDICATED.**
- 6 DATUM AND BASIC DIMENSION TO BE ESTABLISHED BY CUSTOMER.**
- 7 CONTACT FINISH:**  
 ALL OVER: 0.00127 MIN NICKEL  
 COMPLIANT PIN AREA: 0.00127 MIN TIN-LEAD  
 MATING AREA: 0.00076 MIN GOLD
- 8 CONTACT MATING AREA LUBRICATED WITH BELLCORE APPROVED LUBRICANT.  
 TECHNICAL REFERANCE: GR-1217-COR, ISSUE 1, NOVEMBER 1995**
- 9 CONTACT FINISH:**  
 ALL OVER: 0.00127 MIN NICKEL  
 COMPLIANT PIN AREA: 0.00127 MIN TIN  
 MATING AREA: 0.00127 MIN GOLD

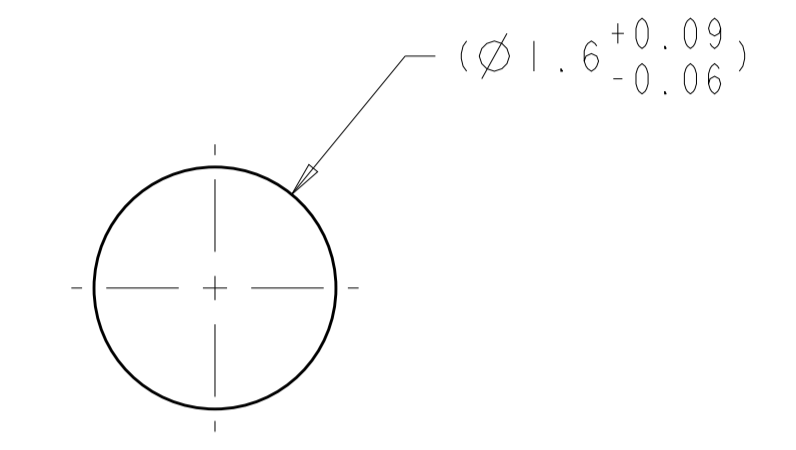
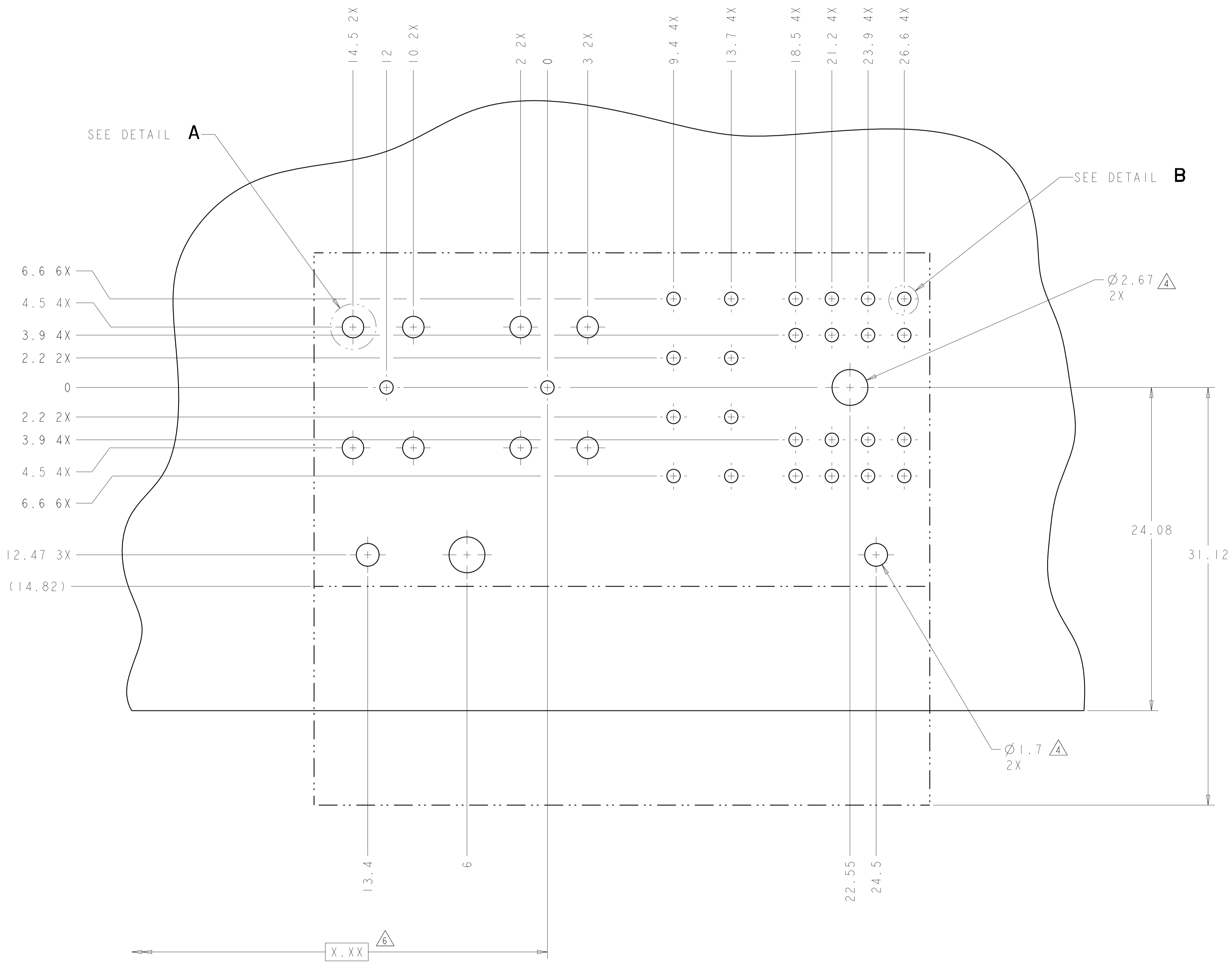
CONTACT POSN	PIN LENGTH
1-4	NOT USED
5-24	6.1
25,26,28-31	14.3
27,32	3.8
33	11.3
34	8.8

OBSOLETE	9	Ø0.762	22	22	ZP-A-030M-P2-2B	1766500-3
		Ø1.58	8	16		
OBSOLETE	1	Ø0.762	22	22	7P-A-030M-P2-2B	1766500-2
		Ø1.58	8	16		
OBSOLETE	2	Ø0.762	22	22	ZP-A-030M-P2-2B	1766500-1
		Ø1.58	8	16		
PLATING		MATING PIN DIAMETER	CONTACT QTY	SIZE NO	TYPE DESIGNATION	PART NO

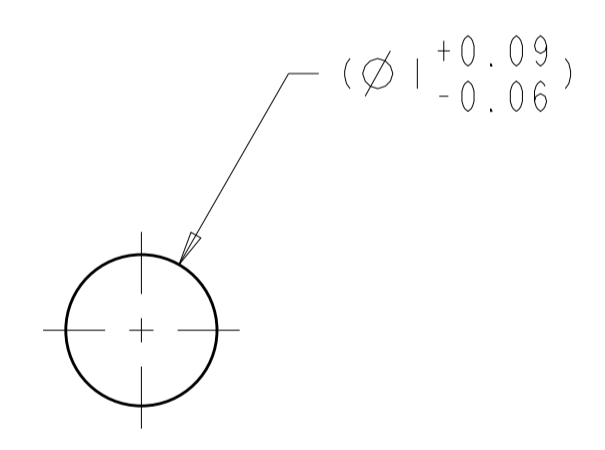
THIS DRAWING IS A CONTROLLED DOCUMENT.		DWN: HAMNER 20MAY2005	TE Connectivity ASSEMBLY, RT ANGLE, AdvancedTCA
DIMENSIONS: mm		CHK: M. McALONIS 21AUG2006	
TOLERANCES UNLESS OTHERWISE SPECIFIED:		APVD: M. McALONIS 21AUG2006	
0 PLC ±0.5 1 PLC ±0.13 3 PLC ±0.013 4 PLC ±0.001 ANGLES ±0.0001		PRODUCT SPEC: 108-2216 APPLICATION SPEC: 114-13156 WEIGHT: -	
MATERIAL: 1	FINISH: 2, 7	Customer Drawing	SIZE: A1 CAGE CODE: 100779 DRAWING NO: 1766500 RESTRICTED TO: - SCALE: 6:1 SHEET 1 OF 2 REV F

LOC	DIST	REVISIONS					
GP	00	P	LTN	DESCRIPTION	DATE	DWN	APVD
		-		SEE SHEET 1			



DETAIL A  
 SCALE 20:1  
 8X (SIZE 16)

FINISHED HOLE:  $\phi 1.6^{+0.09}_{-0.06}$   
 DRILLED HOLE:  $\phi 1.75 \pm 0.025$   
 COPPER PLATE: 0.025 MIN (PER SURFACE)  
 TIN PLATE: 0.008 MIN (PER SURFACE)



DETAIL B  
 SCALE 20:1  
 26X (SIZE 22)

FINISHED HOLE:  $\phi 1^{+0.09}_{-0.06}$   
 DRILLED HOLE:  $\phi 1.15 \pm 0.025$   
 COPPER PLATE: 0.025 MIN (PER SURFACE)  
 TIN PLATE: 0.008 MIN (PER SURFACE)

RECOMMENDED PCB LAYOUT  
 VIEWED FROM CONNECTOR SIDE

THIS DRAWING IS A CONTROLLED DOCUMENT.		DWN: HAMNER 20MAY2005	TE Connectivity ASSEMBLY, RT ANGLE, AdvancedTCA	
DIMENSIONS: mm		CHK: M. McALONIS 21AUG2006		
TOLERANCES UNLESS OTHERWISE SPECIFIED: 0 PLC ±0.5 1 PLC ±0.13 2 PLC ±0.013 3 PLC ±0.001 4 PLC ±0.0001 ANGLES ±0.0001		APVD: M. McALONIS 21AUG2006	NAME: ASSEMBLY, RT ANGLE, AdvancedTCA	
MATERIAL: FINISH:		PRODUCT SPEC: 108-2216	SIZE: CAGE CODE: DRAWING NO: A100779C=1766500	
		APPLICATION SPEC: 114-13156	RESTRICTED TO: -	
		WEIGHT: -	SCALE: 6:1 SHEET 2 OF 2 REV F	
		Customer Drawing		

## X-ON Electronics

Largest Supplier of Electrical and Electronic Components

*Click to view similar products for [High Speed/Modular Connectors](#) category:*

*Click to view products by [TE Connectivity](#) manufacturer:*

Other Similar products are found below :

[650827-1](#) [74040-1346](#) [1410191-1](#) [1410368-3](#) [1410964-2](#) [1410326-3](#) [1410367-3](#) [1410971-4](#) [1467833-1](#) [2000877-1](#) [2000878-1](#) [2041314-1](#)  
[2065387-1](#) [2187307-1](#) [163P](#) [1934290-1](#) [2000875-1](#) [2065917-1](#) [2102736-2](#) [FSR-40](#) [2169868-2](#) [22354-8](#) [437-5040-000](#) [5-1393565-0](#) [039-](#)  
[0246-000](#) [0740618502](#) [0761601016](#) [0784461022](#) [10123159-12ELF](#) [030-2415-003/100 PK](#) [030-7380-004](#) [030-2494-001](#) [532939-1](#) [5532901-](#)  
[3](#) [3-1469268-7](#) [74748-102LF](#) [10041743-101LF](#) [10066670-100002LF](#) [1-533915-1](#) [249-4515-000](#) [7-1469373-3](#) [DL2-2J/S](#) [2000713-8](#)  
[2000713-7](#) [10124313-101LF](#) [3011-21](#) [757105208](#) [430305-001](#) [4395800100](#) [8140115](#)