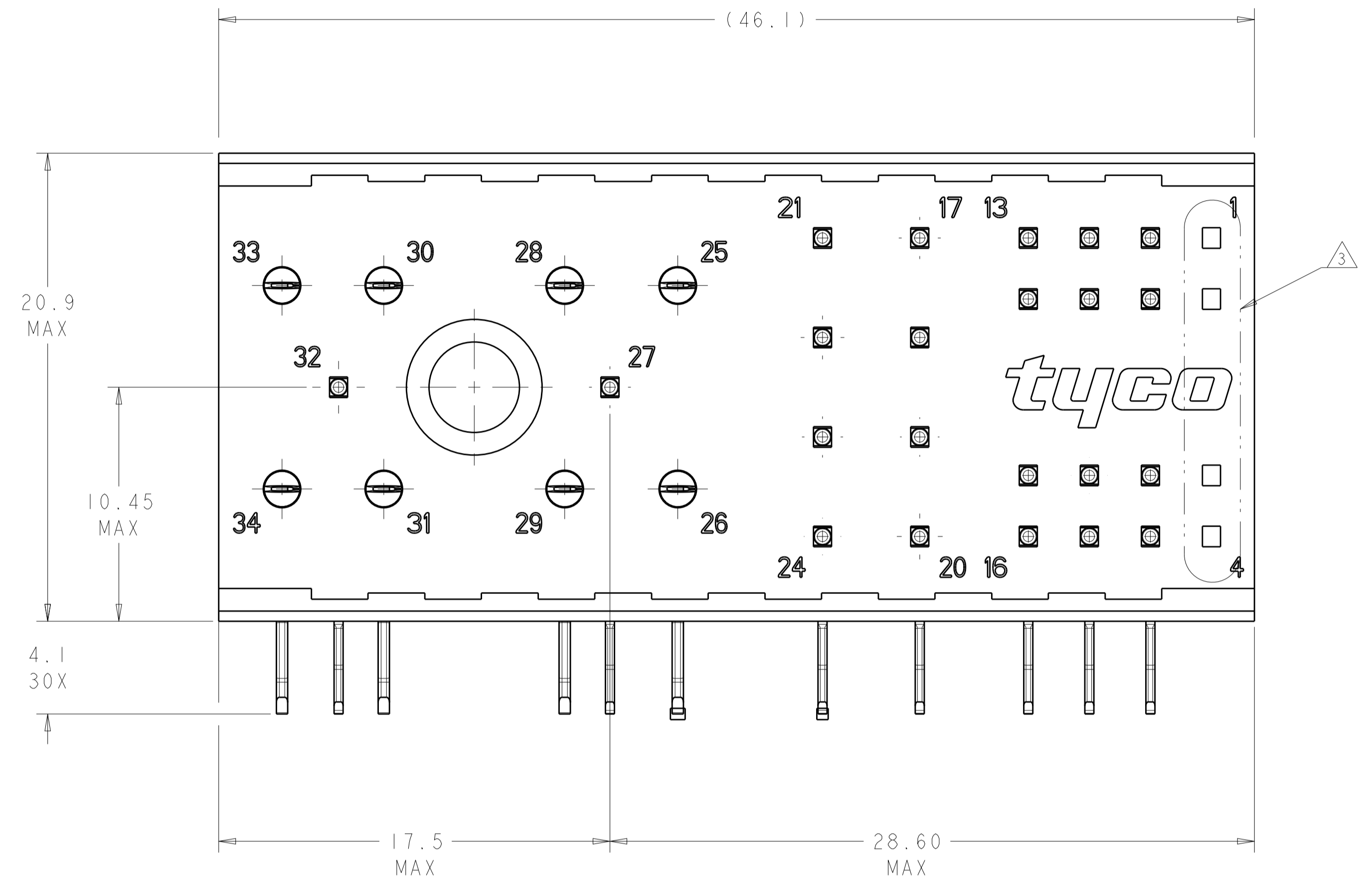
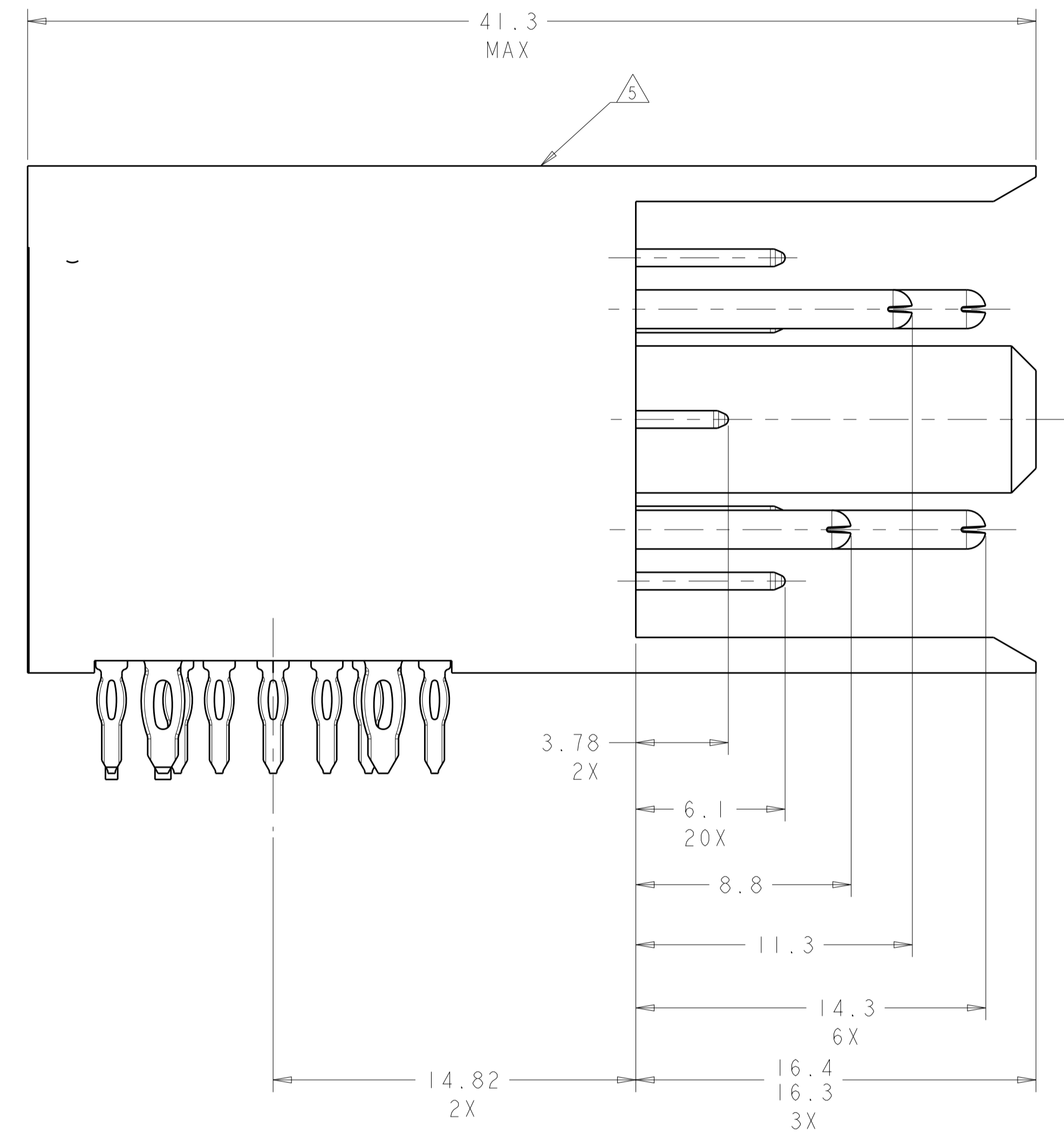


LOC	DIST	REVISIONS					
		P	LTN	DESCRIPTION	DATE	DWN	APVD
GP	00	E1		REVISED PER ECO-11-005033	19MAR2011	RK	HMR
		E2		REMOVE PRELIMINARY MARK	24NOV2011	OL	SZ
		F		REV PER ECR-12-016995	04NOV2012	OL	SZ



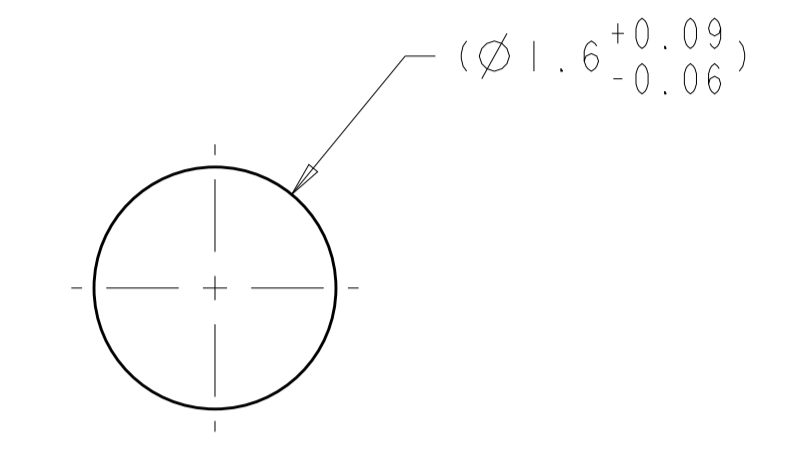
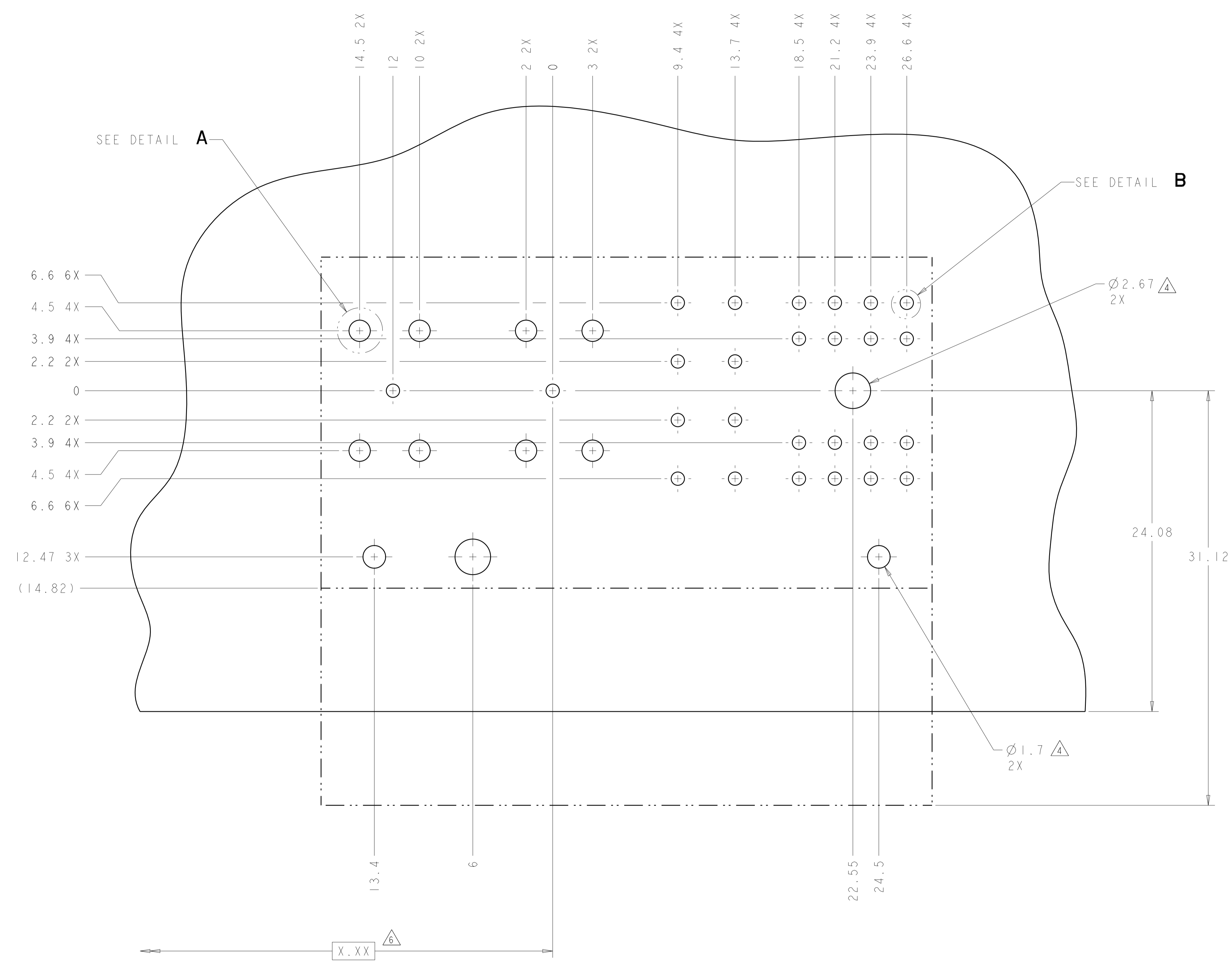
- 1 MATERIALS:**
 HOUSING: HIGH TEMP THERMOPLASTIC, UL94V-0, GRAY.
 SIGNAL CONTACTS: COPPER ALLOY
 POWER CONTACTS: COPPER ALLOY
- 2 CONTACT FINISH:**
 ALL OVER: 0.00127 MIN NICKEL
 COMPLIANT PIN AREA: 0.00127 MIN TIN
 MATING AREA: 0.00076 MIN GOLD
- 3 POSITIONS 1-4 ARE UNPOPULATED AND RESERVED FOR FUTURE USE.**
- 4 HOLES INDICATED ARE NOT REQUIRED FOR TE CONNECTIVITY PRODUCT.**
- 5 TE CONNECTIVITY PART NUMBER AND DATE CODE (YYWW) LOCATED ON SURFACE INDICATED.**
- 6 DATUM AND BASIC DIMENSION TO BE ESTABLISHED BY CUSTOMER.**
- 7 CONTACT FINISH:**
 ALL OVER: 0.00127 MIN NICKEL
 COMPLIANT PIN AREA: 0.00127 MIN TIN-LEAD
 MATING AREA: 0.00076 MIN GOLD
- 8 CONTACT MATING AREA LUBRICATED WITH BELLCORE APPROVED LUBRICANT.
 TECHNICAL REFERANCE: GR-1217-COR, ISSUE 1, NOVEMBER 1995**
- 9 CONTACT FINISH:**
 ALL OVER: 0.00127 MIN NICKEL
 COMPLIANT PIN AREA: 0.00127 MIN TIN
 MATING AREA: 0.00127 MIN GOLD

CONTACT POSN	PIN LENGTH
1-4	NOT USED
5-24	6.1
25,26,28-31	14.3
27,32	3.8
33	11.3
34	8.8

OBSOLETE	9	Ø0.762	22	22	ZP-A-030M-P2-2B	1766500-3
		Ø1.58	8	16		
2	2	Ø0.762	22	22	7P-A-030M-P2-2B	1766500-2
		Ø1.58	8	16		
PLATING	2	Ø0.762	22	22	ZP-A-030M-P2-2B	1766500-1
		Ø1.58	8	16		
		MATING PIN DIAMETER	CONTACT QTY	SIZE NO	TYPE DESIGNATION	PART NO

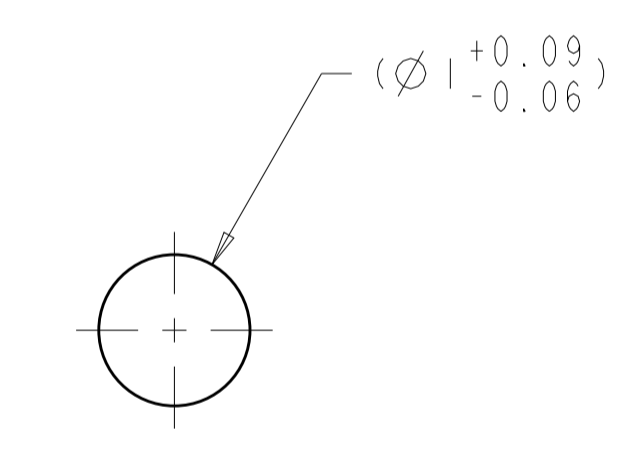
THIS DRAWING IS A CONTROLLED DOCUMENT.		DWN: HAMNER 20MAY2005	TE Connectivity ASSEMBLY, RT ANGLE, AdvancedTCA
DIMENSIONS:	TOLERANCES UNLESS OTHERWISE SPECIFIED:	CHK: M. McALONIS 21AUG2006	
mm	0 PLC ±0.5	APVD: M. McALONIS 21AUG2006	
	1 PLC ±0.13	PRODUCT SPEC: 108-2216	
	2 PLC ±0.013	APPLICATION SPEC: 114-13156	SIZE: A1
	3 PLC ±0.001	WEIGHT: -	CAGE CODE: 1766500
	4 PLC ±0.0001	RESTRICTED TO: -	SCALE: 6:1
MATERIAL:	FINISH:	Customer Drawing	SHEET 1 OF 2

LOC	DIST	REVISIONS			
P	LTN	DESCRIPTION	DATE	DWN	APVD
-	-	SEE SHEET 1	-	-	-



DETAIL A
 SCALE 20:1
 8X (SIZE 16)

FINISHED HOLE: $\varnothing 1.6^{+0.09}_{-0.06}$
 DRILLED HOLE: $\varnothing 1.75 \pm 0.025$
 COPPER PLATE: 0.025 MIN (PER SURFACE)
 TIN PLATE: 0.008 MIN (PER SURFACE)



DETAIL B
 SCALE 20:1
 26X (SIZE 22)

FINISHED HOLE: $\varnothing 1^{+0.09}_{-0.06}$
 DRILLED HOLE: $\varnothing 1.15 \pm 0.025$
 COPPER PLATE: 0.025 MIN (PER SURFACE)
 TIN PLATE: 0.008 MIN (PER SURFACE)

RECOMMENDED PCB LAYOUT
 VIEWED FROM CONNECTOR SIDE

THIS DRAWING IS A CONTROLLED DOCUMENT.		DWN: HAMNER 20MAY2005	TE Connectivity
DIMENSIONS: mm		CHK: M. McALONIS 21AUG2006	
TOLERANCES UNLESS OTHERWISE SPECIFIED: 0 PLC ±0.5 1 PLC ±0.13 2 PLC ±0.013 3 PLC ±0.001 4 PLC ±0.0001 ANGLES ±0.0001		APVD: M. McALONIS 21AUG2006	NAME: ASSEMBLY, RT ANGLE, AdvancedTCA
MATERIAL: FINISH:		PRODUCT SPEC: 108-2216	SIZE: CAGE CODE: DRAWING NO: A100779C=1766500
MATERIAL: FINISH:		APPLICATION SPEC: 114-13156	RESTRICTED TO: -
MATERIAL: FINISH:		WEIGHT: -	SCALE: 6:1 SHEET 2 OF 2 REV F
MATERIAL: FINISH:		Customer Drawing	

X-ON Electronics

Largest Supplier of Electrical and Electronic Components

Click to view similar products for [Micro TCA Connectors](#) category:

Click to view products by [TE Connectivity](#) manufacturer:

Other Similar products are found below :

[MEB97318-219](#) [13-000151](#) [MEB2-64SL83-A159](#) [MDM-9SCBR-F222](#) [MDM-9PCBR-F222](#) [MDM-25SSK](#) [MDM-25SBSP-A174](#) [MDM-15SSP](#) [MDM-9PL2B-A174](#) [MDM-25PH074M5](#) [MDM-9PL93M7-A174](#) [MEB1-128P](#) [MDM-21PCBR-A174](#) [MDM-31PSB](#) [13-000161](#) [13-000201](#) [13-000301](#) [13-000141](#) [13-000311](#) [16111705207000](#) [16111705206000](#) [10058831-110LF](#) [10058831-111LF](#) [10058835-1000LF](#) [10058835-1001LF](#) [10070163-01LF](#) [10084423-103LF](#) [10084423-102LF](#) [10084423-101LF](#) [13-000190](#) [16-000010](#) [16041705106000](#) [16111705202000](#) [16310341201000](#) [16320301101000](#) [16340961101000](#) [MDM-21PSB](#) [MDM-21SSB-A174](#) [MDM-25PSB-A174](#) [MDM-31SSB](#) [MDM-51SSB-A174](#) [MDM-9PBSP](#) [MDM-9PH006B-F222](#) [MDM-9PL1B](#) [MDM-9PSM5-A174](#) [MDM-9SH006B-F222](#) [MDM9SH048B](#) [MDM-9SSB-A174](#) [MEB2-64SBR](#) [MDM-25PCBRP](#)