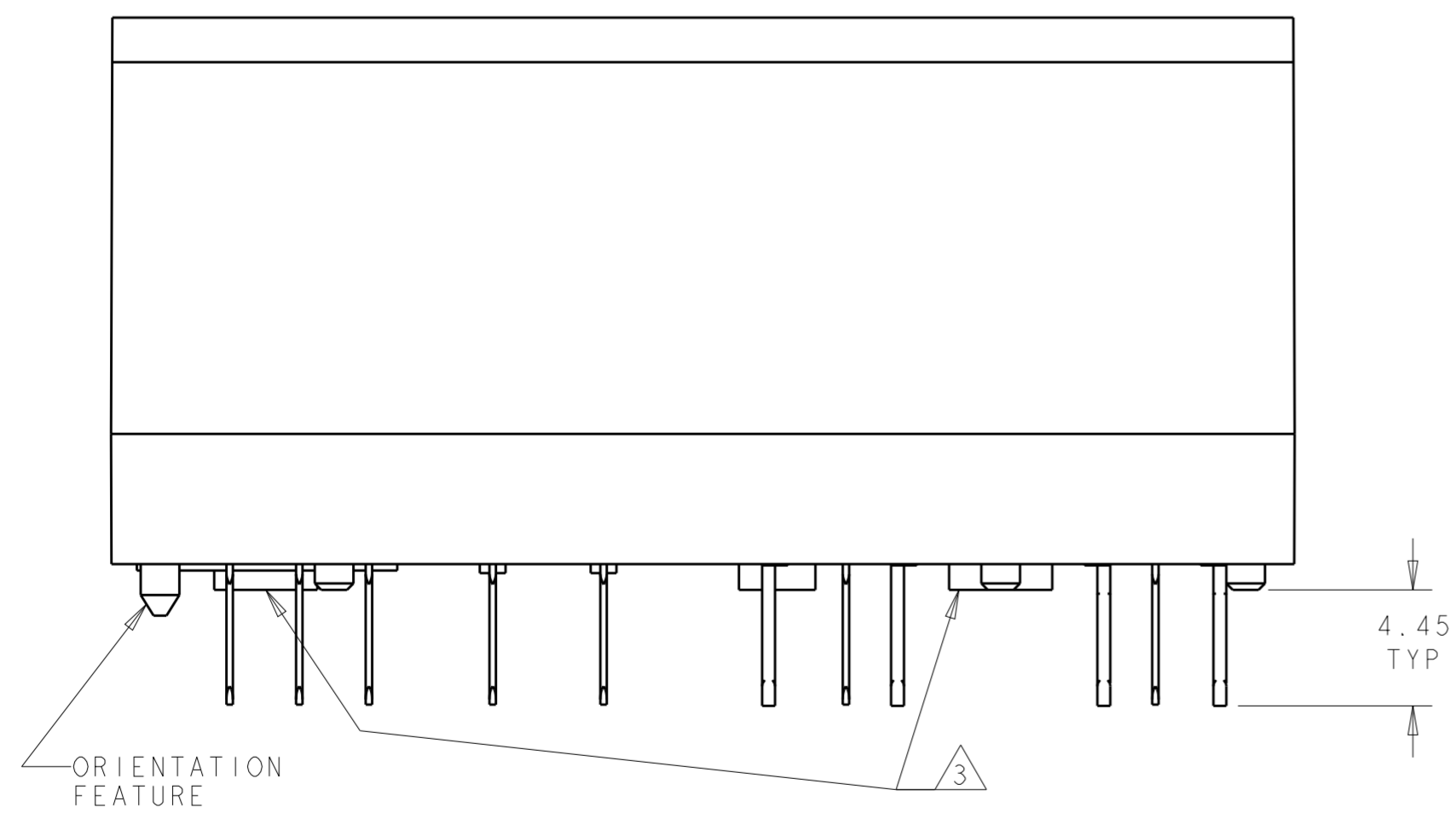
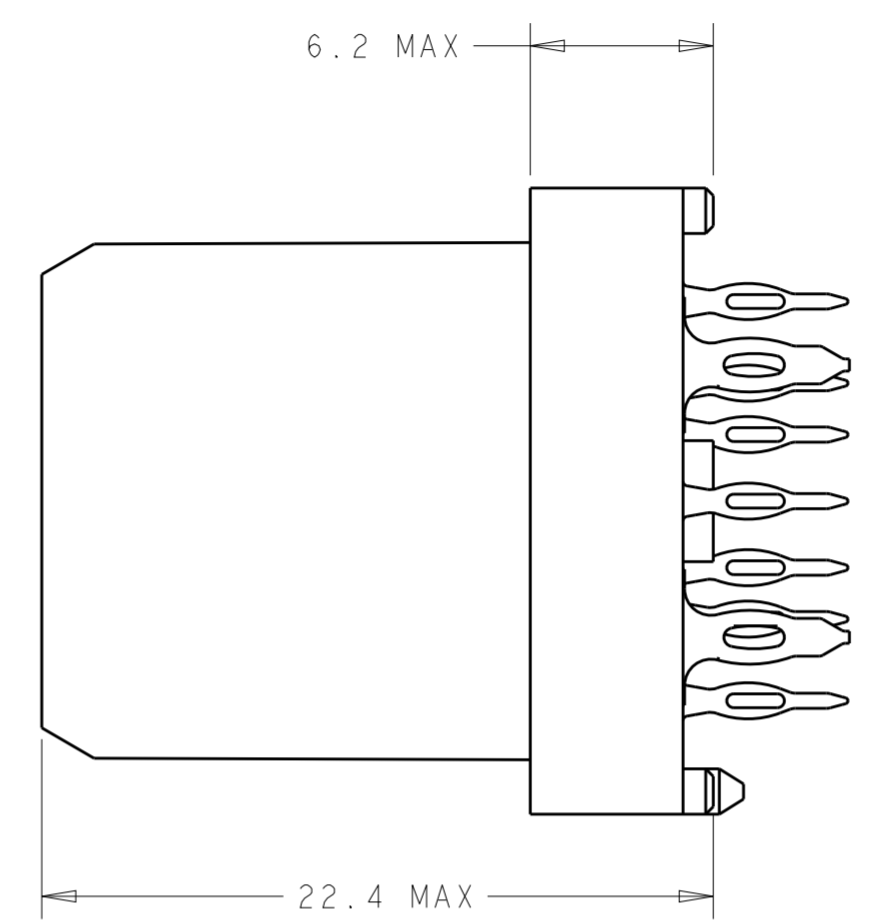
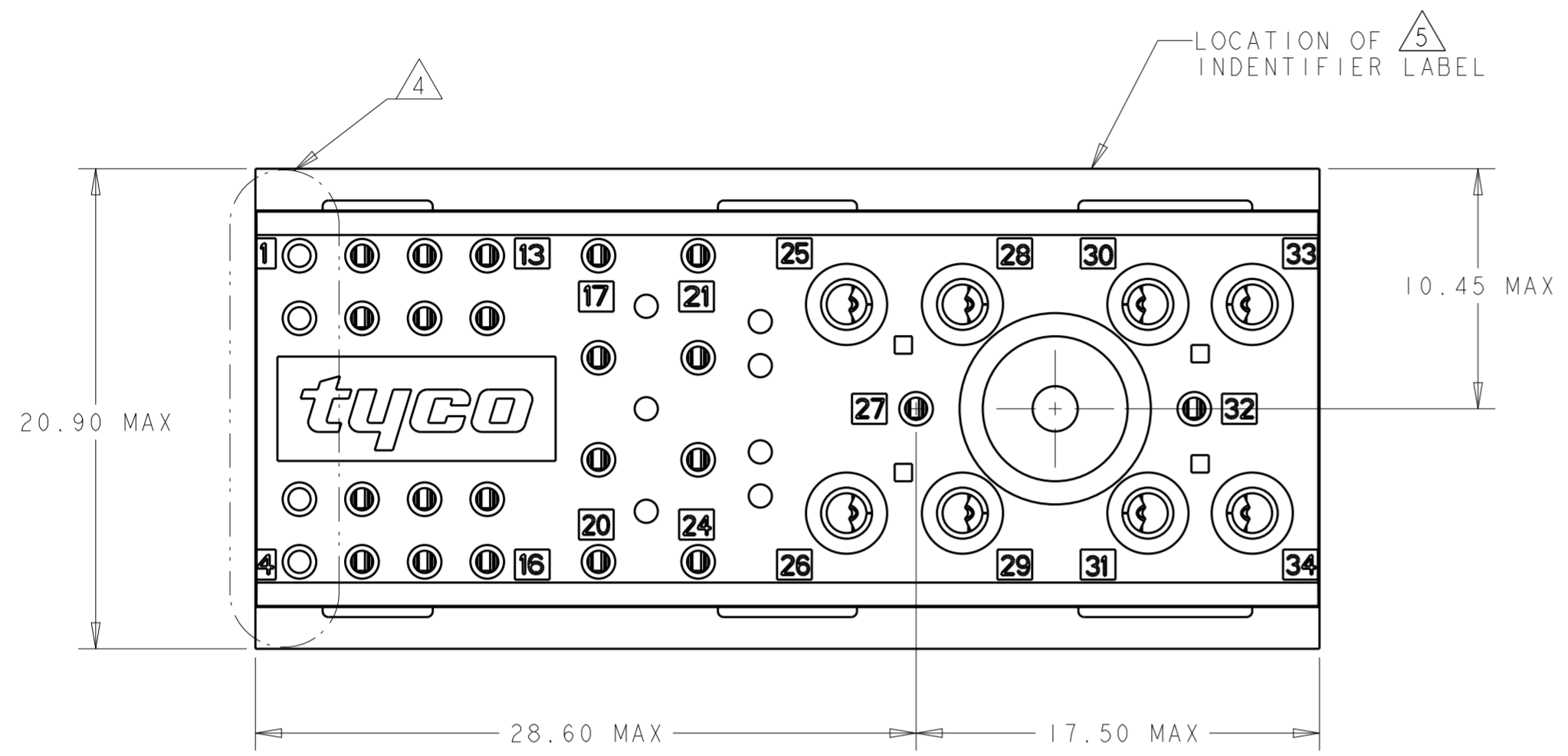


THIS DRAWING IS UNPUBLISHED. RELEASED FOR PUBLICATION 20
 © COPYRIGHT 20 ALL RIGHTS RESERVED.

LOC	DIST	REVISIONS					
GP	00	P	LTR	DESCRIPTION	DATE	DWN	APVD
		D3		REVISED PER ECO-11-005033	05MAY2011	RK	HMR
		E		REV PER ECR-12-016995	04NOV2012	OL	SZ



OBSOLETE	△0 △3	1766501-6
OBSOLETE	△0 △9 △2	1766501-5
OBSOLETE	△1 △0 △2	1766501-4
OBSOLETE	△0 △9 △2	1766501-3
	△0 △2	1766501-2
	△0 △2	1766501-1
	FINISH	PART NO

THIS DRAWING IS A CONTROLLED DOCUMENT.

DWN L.SIPE 03JUN2005
 CHK J.McCLELLAN 03JUN2005
 APVD - 03JUN2005

STE TE Connectivity

NAME CONNECTOR ASSEMBLY, VERTICAL, BACKPLANE, COMPLIANT PRESS FIT, ADVANCED TCA

PRODUCT SPEC 108-2216
 APPLICATION SPEC 114-13156
 WEIGHT -

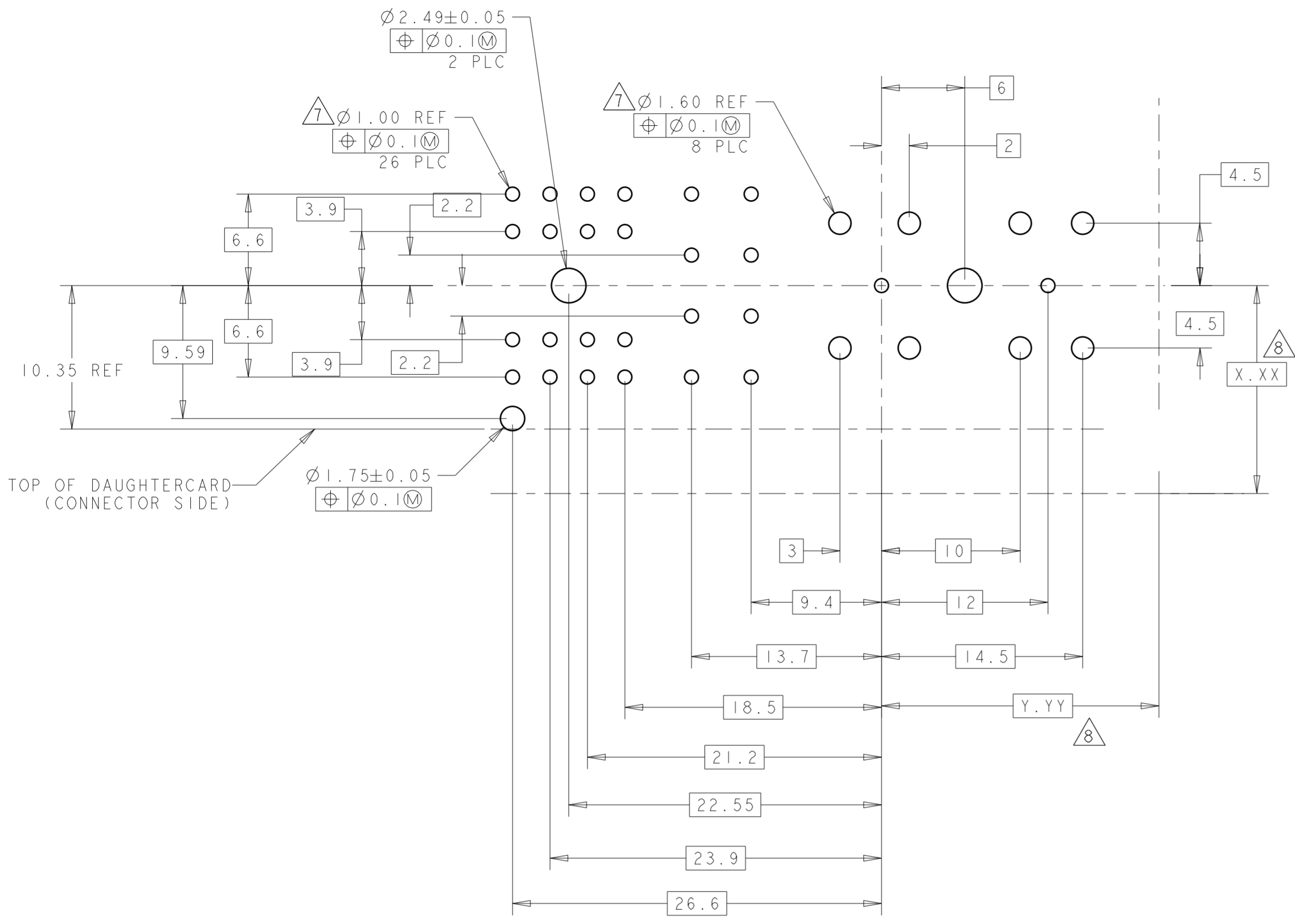
SIZE A2 CAGE CODE 0779 DRAWING NO C-1766501 RESTRICTED TO -

Customer Drawing SCALE 1:1 SHEET 1 OF 2 REV E

1471-9 (3/11)

THIS DRAWING IS UNPUBLISHED. RELEASED FOR PUBLICATION 20
 © COPYRIGHT 20 ALL RIGHTS RESERVED.

LOC	DIST	REVISIONS					
GP	00	P	LTR	DESCRIPTION	DATE	DWN	APVD
		-		SEE SHEET 1			



PCB LAYOUT
 VIEWED FROM CONNECTOR SIDE
 SCALE 7:2

12 FINISHES:
 CONTACTS MATING ZONE: GOLD PLATE, 1.27µm MIN THK
 OVER NICKEL 1.27µm MIN THK.
 SOLDER TAILS: TIN PLATED, 1.27µm MIN THK.
 OVER NICKEL 1.27µm MIN THK.

13 FINISHES:
 CONTACTS MATING ZONE: GOLD PLATE, 1.27µm MIN THK
 OVER NICKEL 1.27µm MIN THK.
 SOLDER TAILS: TIN-LEAD PLATED, 1.27µm MIN THK.
 OVER NICKEL 1.27µm MIN THK.

1 MATERIALS:
 INSULATORS: THERMOPLASTIC, GLASS
 REINFORCED, COLOR-GRAY, UL94V-0
 FLAMMABILITY RATED.
 SIGNAL PINS: COPPER ALLOY.
 POWER CONTACTS: HIGH CONDUCTIVITY
 COPPER ALLOY.

2 FINISHES:
 CONTACTS MATING ZONE: GOLD PLATE, 0.76µm MIN THK
 OVER NICKEL 1.27µm MIN THK.
 SOLDER TAILS: TIN PLATED, 1.27µm MIN THK.
 OVER NICKEL 1.27µm MIN THK.

3 OPTIONAL MOUNTING SCREWS (Ø2.0mm x 5.0mm DP) FOR USE WITH SELF TAPPING
 SCREWS (CUSTOMER SUPPLIED).

4 POSITIONS 1-4 NOT POPULATED AND RESERVED FOR FUTURE USE.

5 ITEMS PROVIDED TO THIS SPECIFICATION TO BE PERMANENTLY
 IDENTIFIED PER THE FOLLOWING IDENTIFIER LABEL:
 YEAR WEEK



6. GENERAL INFORMATION:

PART NO	SIZE NO	CONTACT QTY	MATING PIN DIA
1766501-1	16 22	8 22	Ø1.60 Ø0.76

7 MANUFACTURING TOLERANCE FOR:
 Ø1.60^{+0.09}_{-0.06} FINISHED HOLE WITH Sn PLATING:
 DRILLED HOLE = Ø1.75±0.025
 COPPER PLATING = 0.025 MIN
 Sn PLATING = 0.008 MIN
 Ø1.00^{+0.09}_{-0.06} FINISHED HOLE WITH Sn PLATING:
 DRILLED HOLE = Ø1.15±0.025
 COPPER PLATING = 0.025 MIN
 Sn PLATING = 0.008 MIN

8 DATUMS AND BASIC DIMENSIONS TO BE ESTABLISHED BY CUSTOMER.

9 FINISHES:
 CONTACTS MATING ZONE: GOLD PLATE, 0.76µm MIN THK
 OVER NICKEL 1.27µm MIN THK.
 SOLDER TAILS: TIN-LEAD PLATED, 1.27µm MIN THK.
 OVER NICKEL 1.27µm MIN THK.

10 CONTACT AREA LUBRICATED WITH BELLCORE
 APPROVED LUBRICANT. TECHNICAL REFERENCE:
 GR-1217-COR, ISSUE1, NOVEMBER 1995

11 PRELIMINARY PART NUMBERS NOT RELEASED FOR PRODUCTION

THIS DRAWING IS A CONTROLLED DOCUMENT.		DWN L. SIPE 03JUN2005	TE Connectivity	
		CHK J. McCLELLAN 03JUN2005		
		APVD - 03JUN2005		
DIMENSIONS: mm		PRODUCT SPEC 108-2216		NAME CONNECTOR ASSEMBLY, VERTICAL, BACKPLANE, COMPLIANT PRESS FIT, ADVANCED TCA
TOLERANCES UNLESS OTHERWISE SPECIFIED:		APPLICATION SPEC 114-13156		
MATERIAL		WEIGHT		SIZE A20779
0 PLC ± 1 PLC ± 2 PLC ±0.50 3 PLC ±0.250 4 PLC ± ANGLES ± FINISH		Customer Drawing		CAGE CODE C-1766501
		SCALE 1:1		DRAWING NO -
		SHEET 2 OF 2		RESTRICTED TO -
		REV E		

X-ON Electronics

Largest Supplier of Electrical and Electronic Components

Click to view similar products for [High Speed/Modular Connectors](#) category:

Click to view products by [TE Connectivity](#) manufacturer:

Other Similar products are found below :

[650827-1](#) [74040-1346](#) [1410191-1](#) [1410368-3](#) [1410964-2](#) [1410326-3](#) [1410367-3](#) [1410971-4](#) [1467833-1](#) [2000877-1](#) [2000878-1](#) [2041314-1](#)
[2065387-1](#) [2187307-1](#) [163P](#) [1934290-1](#) [2000875-1](#) [2065917-1](#) [2102736-2](#) [FSR-40](#) [2169868-2](#) [22354-8](#) [437-5040-000](#) [5-1393565-0](#) [039-](#)
[0246-000](#) [0740618502](#) [0761601016](#) [0784461022](#) [10123159-12ELF](#) [030-2415-003/100 PK](#) [030-7380-004](#) [030-2494-001](#) [532939-1](#) [5532901-](#)
[3](#) [3-1469268-7](#) [UMK-SE 11,25-1](#) [74748-102LF](#) [10041743-101LF](#) [10066670-100002LF](#) [1-533915-1](#) [249-4515-000](#) [7-1469373-3](#) [DL2-2J/S](#)
[2000713-8](#) [2000713-7](#) [10124313-101LF](#) [3011-21](#) [757105208](#) [430305-001](#) [4395800100](#)