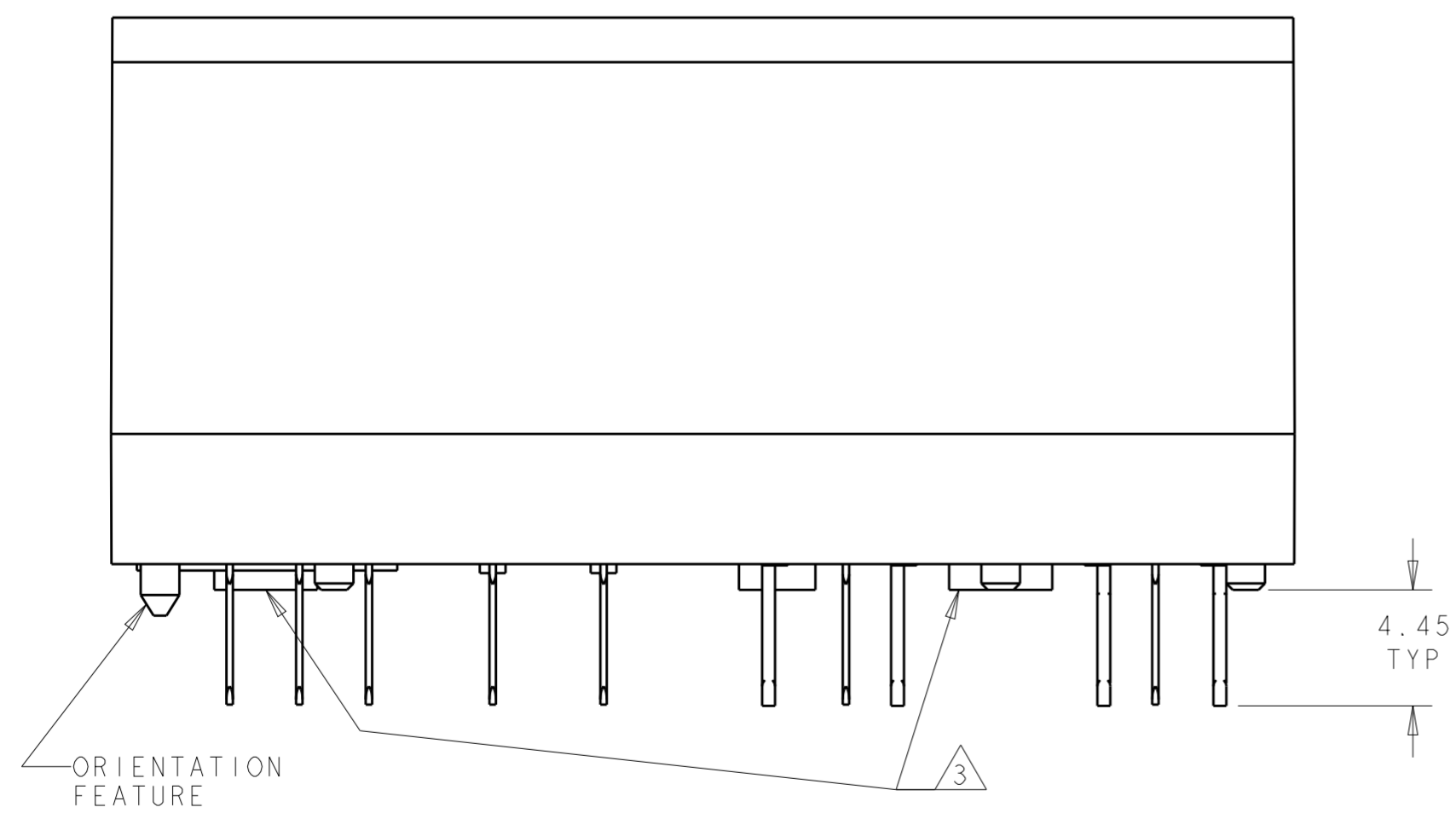
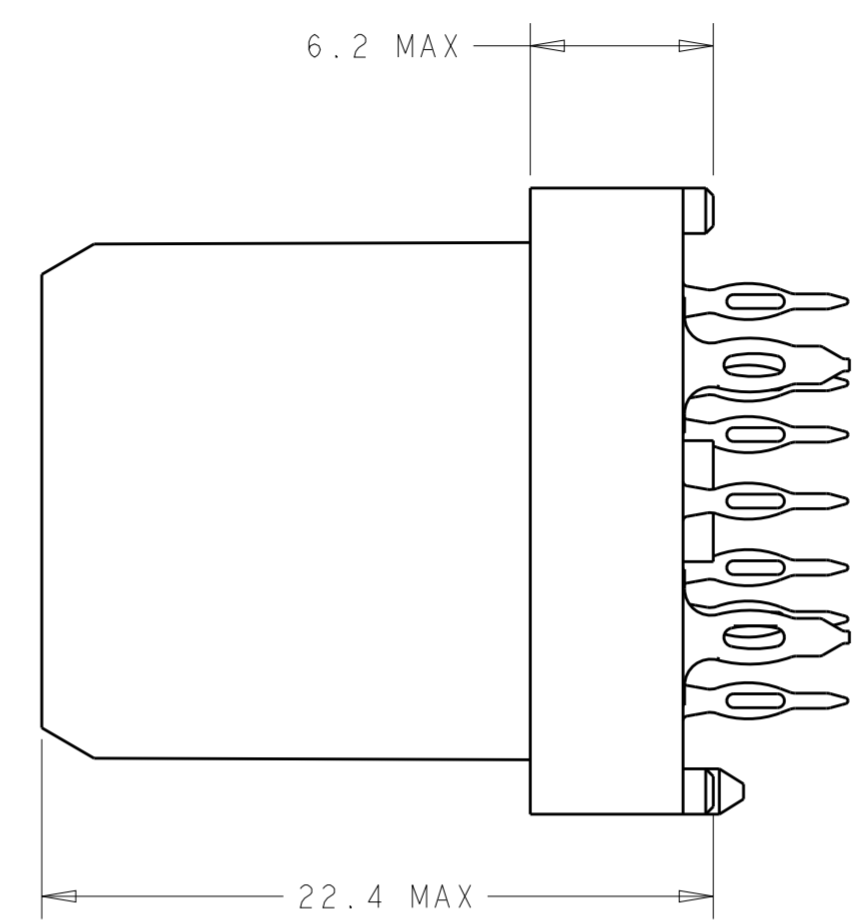
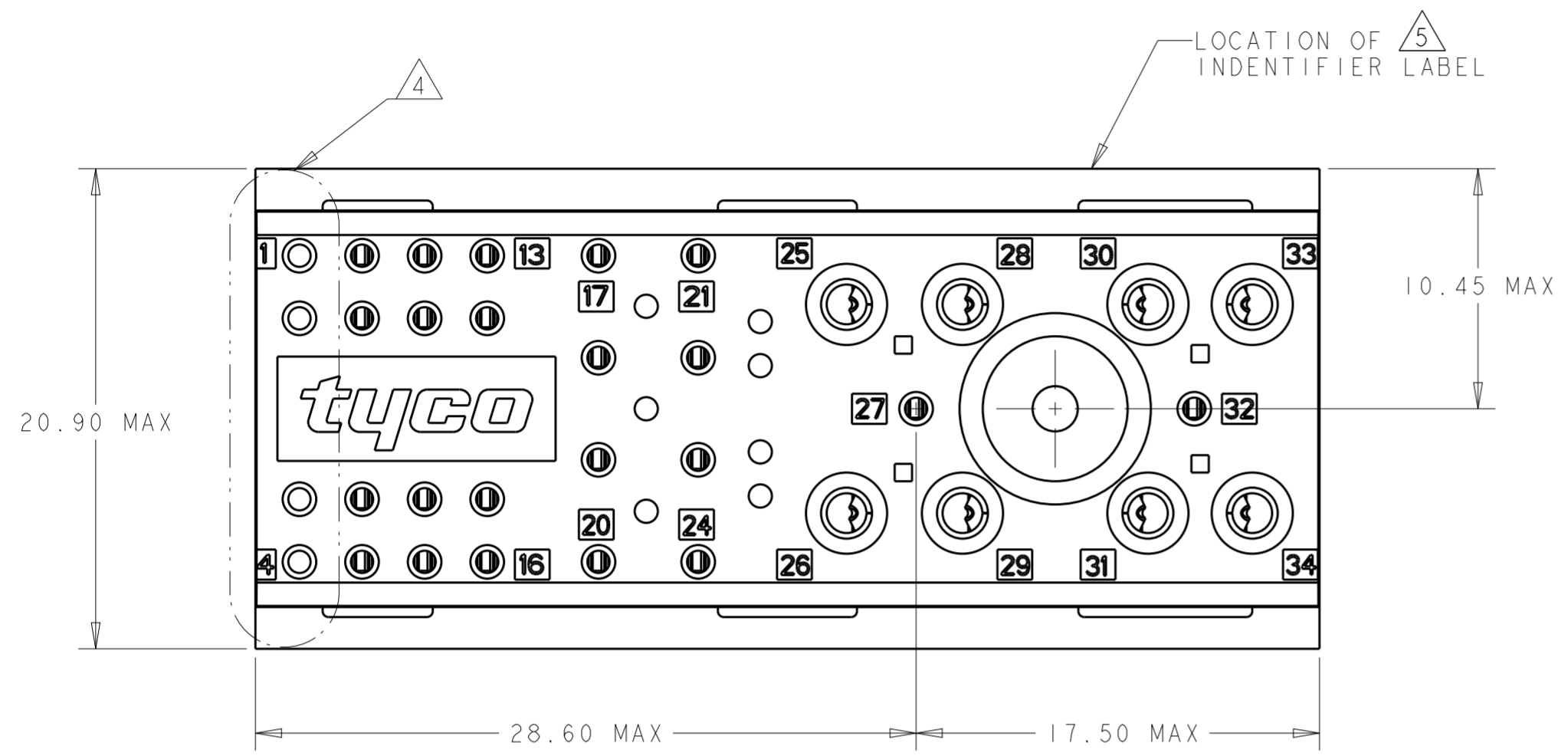


THIS DRAWING IS UNPUBLISHED. RELEASED FOR PUBLICATION 20
 © COPYRIGHT 20 ALL RIGHTS RESERVED.

LOC GP DIST 00

REVISIONS				
P	LTR	DESCRIPTION	DATE	APVD
D3		REVISED PER ECO-11-005033	05MAY2011	RK HMR
E		REV PER ECR-12-016995	04NOV2012	OL SZ



OBSOLETE	△0 △3	1766501-6
OBSOLETE	△0 △9 △2	1766501-5
OBSOLETE	△1 △0 △2	1766501-4
OBSOLETE	△0 △9 △2	1766501-3
	△0 △2	1766501-2
	△0 △2	1766501-1
	FINISH	PART NO

THIS DRAWING IS A CONTROLLED DOCUMENT.

DWN L.SIPE 03JUN2005
 CHK J.McCLELLAN 03JUN2005
 APVD - 03JUN2005

STE TE Connectivity

NAME CONNECTOR ASSEMBLY, VERTICAL, BACKPLANE, COMPLIANT PRESS FIT, ADVANCED TCA

PRODUCT SPEC 108-2216
 APPLICATION SPEC 114-13156
 WEIGHT -

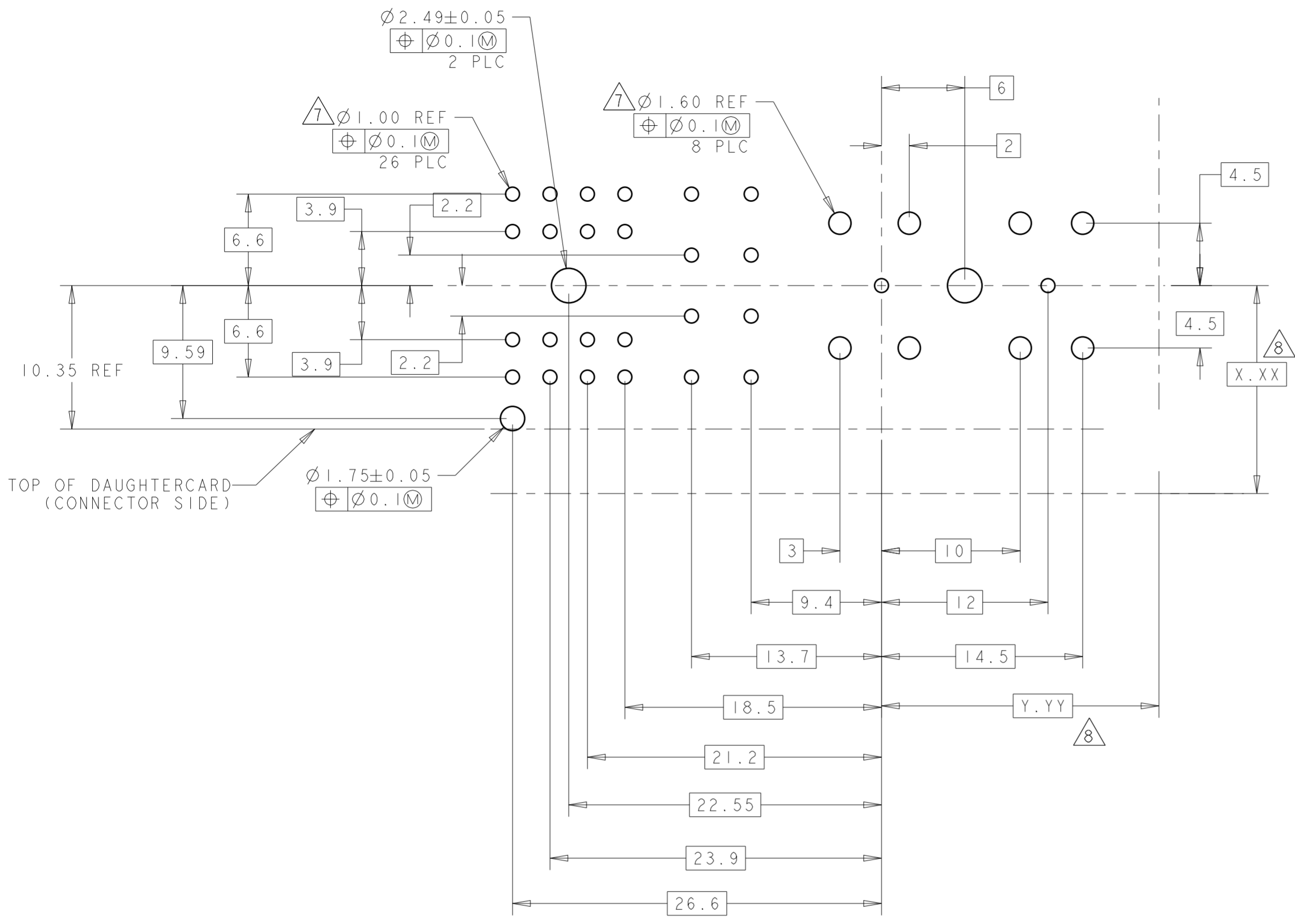
SIZE A2 CAGE CODE 0779 DRAWING NO C-1766501 RESTRICTED TO -

Customer Drawing SCALE 1:1 SHEET 1 OF 2 REV E

1471-9 (3/11)

THIS DRAWING IS UNPUBLISHED. RELEASED FOR PUBLICATION 20
 © COPYRIGHT 20 ALL RIGHTS RESERVED.

LOC	DIST	REVISIONS					
GP	00	P	LTR	DESCRIPTION	DATE	DWN	APVD
		-		SEE SHEET 1			



PCB LAYOUT
 VIEWED FROM CONNECTOR SIDE
 SCALE 7:2

12 FINISHES:
 CONTACTS MATING ZONE: GOLD PLATE, 1.27µm MIN THK
 OVER NICKEL 1.27µm MIN THK.
 SOLDER TAILS: TIN PLATED, 1.27µm MIN THK.
 OVER NICKEL 1.27µm MIN THK.

13 FINISHES:
 CONTACTS MATING ZONE: GOLD PLATE, 1.27µm MIN THK
 OVER NICKEL 1.27µm MIN THK.
 SOLDER TAILS: TIN-LEAD PLATED, 1.27µm MIN THK.
 OVER NICKEL 1.27µm MIN THK.

1 MATERIALS:
 INSULATORS: THERMOPLASTIC, GLASS
 REINFORCED, COLOR-GRAY, UL94V-0
 FLAMMABILITY RATED.
 SIGNAL PINS: COPPER ALLOY.
 POWER CONTACTS: HIGH CONDUCTIVITY
 COPPER ALLOY.

2 FINISHES:
 CONTACTS MATING ZONE: GOLD PLATE, 0.76µm MIN THK
 OVER NICKEL 1.27µm MIN THK.
 SOLDER TAILS: TIN PLATED, 1.27µm MIN THK.
 OVER NICKEL 1.27µm MIN THK.

3 OPTIONAL MOUNTING SCREWS (Ø2.0mm x 5.0mm DP) FOR USE WITH SELF TAPPING
 SCREWS (CUSTOMER SUPPLIED).

4 POSITIONS 1-4 NOT POPULATED AND RESERVED FOR FUTURE USE.

5 ITEMS PROVIDED TO THIS SPECIFICATION TO BE PERMANENTLY
 IDENTIFIED PER THE FOLLOWING IDENTIFIER LABEL:
 YEAR WEEK



6. GENERAL INFORMATION:

PART NO	SIZE NO	CONTACT QTY	MATING PIN DIA
1766501-1	16 22	8 22	Ø1.60 Ø0.76

7 MANUFACTURING TOLERANCE FOR:
 Ø1.60^{+0.09}_{-0.06} FINISHED HOLE WITH Sn PLATING:
 DRILLED HOLE = Ø1.75±0.025
 COPPER PLATING = 0.025 MIN
 Sn PLATING = 0.008 MIN
 Ø1.00^{+0.09}_{-0.06} FINISHED HOLE WITH Sn PLATING:
 DRILLED HOLE = Ø1.15±0.025
 COPPER PLATING = 0.025 MIN
 Sn PLATING = 0.008 MIN

8 DATUMS AND BASIC DIMENSIONS TO BE ESTABLISHED BY CUSTOMER.

9 FINISHES:
 CONTACTS MATING ZONE: GOLD PLATE, 0.76µm MIN THK
 OVER NICKEL 1.27µm MIN THK.
 SOLDER TAILS: TIN-LEAD PLATED, 1.27µm MIN THK.
 OVER NICKEL 1.27µm MIN THK.

10 CONTACT AREA LUBRICATED WITH BELLCORE
 APPROVED LUBRICANT. TECHNICAL REFERENCE:
 GR-1217-COR, ISSUE1, NOVEMBER 1995

11 PRELIMINARY PART NUMBERS NOT RELEASED FOR PRODUCTION

THIS DRAWING IS A CONTROLLED DOCUMENT.		DWN L. SIPE 03JUN2005	TE Connectivity		
		CHK J. McCLELLAN 03JUN2005			
DIMENSIONS: mm		APVD - 03JUN2005	NAME CONNECTOR ASSEMBLY, VERTICAL, BACKPLANE, COMPLIANT PRESS FIT, ADVANCED TCA		
TOLERANCES UNLESS OTHERWISE SPECIFIED: 0 PLC ±- 1 PLC ±- 2 PLC ±0.50 3 PLC ±0.250 4 PLC ±- ANGLES ±- FINISH		PRODUCT SPEC 108-2216 APPLICATION SPEC 114-13156	SIZE A2	CAGE CODE 0779	DRAWING NO C-1766501
MATERIAL -		WEIGHT -	RESTRICTED TO -		
		Customer Drawing		SCALE 1:1 SHEET 2 OF 2 REV E	

X-ON Electronics

Largest Supplier of Electrical and Electronic Components

Click to view similar products for [Micro TCA Connectors](#) category:

Click to view products by [TE Connectivity](#) manufacturer:

Other Similar products are found below :

[MEB97318-219](#) [13-000151](#) [MEB2-64SL83-A159](#) [MDM-9SCBR-F222](#) [MDM-9PCBR-F222](#) [MDM-25SSK](#) [MDM-25SBSP-A174](#) [MDM-15SSP](#) [MDM-9PL2B-A174](#) [MDM-25PH074M5](#) [MDM-9PL93M7-A174](#) [MEB1-128P](#) [MDM-21PCBR-A174](#) [MDM-31PSB](#) [13-000161](#) [13-000201](#) [13-000301](#) [13-000141](#) [13-000311](#) [16111705207000](#) [16111705206000](#) [10058831-110LF](#) [10058831-111LF](#) [10058835-1000LF](#) [10058835-1001LF](#) [10070163-01LF](#) [10084423-103LF](#) [10084423-102LF](#) [10084423-101LF](#) [13-000190](#) [16-000010](#) [16041705106000](#) [16111705202000](#) [16310341201000](#) [16320301101000](#) [16340961101000](#) [MDM-21PSB](#) [MDM-21SSB-A174](#) [MDM-25PSB-A174](#) [MDM-31SSB](#) [MDM-51SSB-A174](#) [MDM-9PBSP](#) [MDM-9PH006B-F222](#) [MDM-9PL1B](#) [MDM-9PSM5-A174](#) [MDM-9SH006B-F222](#) [MDM9SH048B](#) [MDM-9SSB-A174](#) [MEB2-64SBR](#) [MDM-25PCBRP](#)