

4

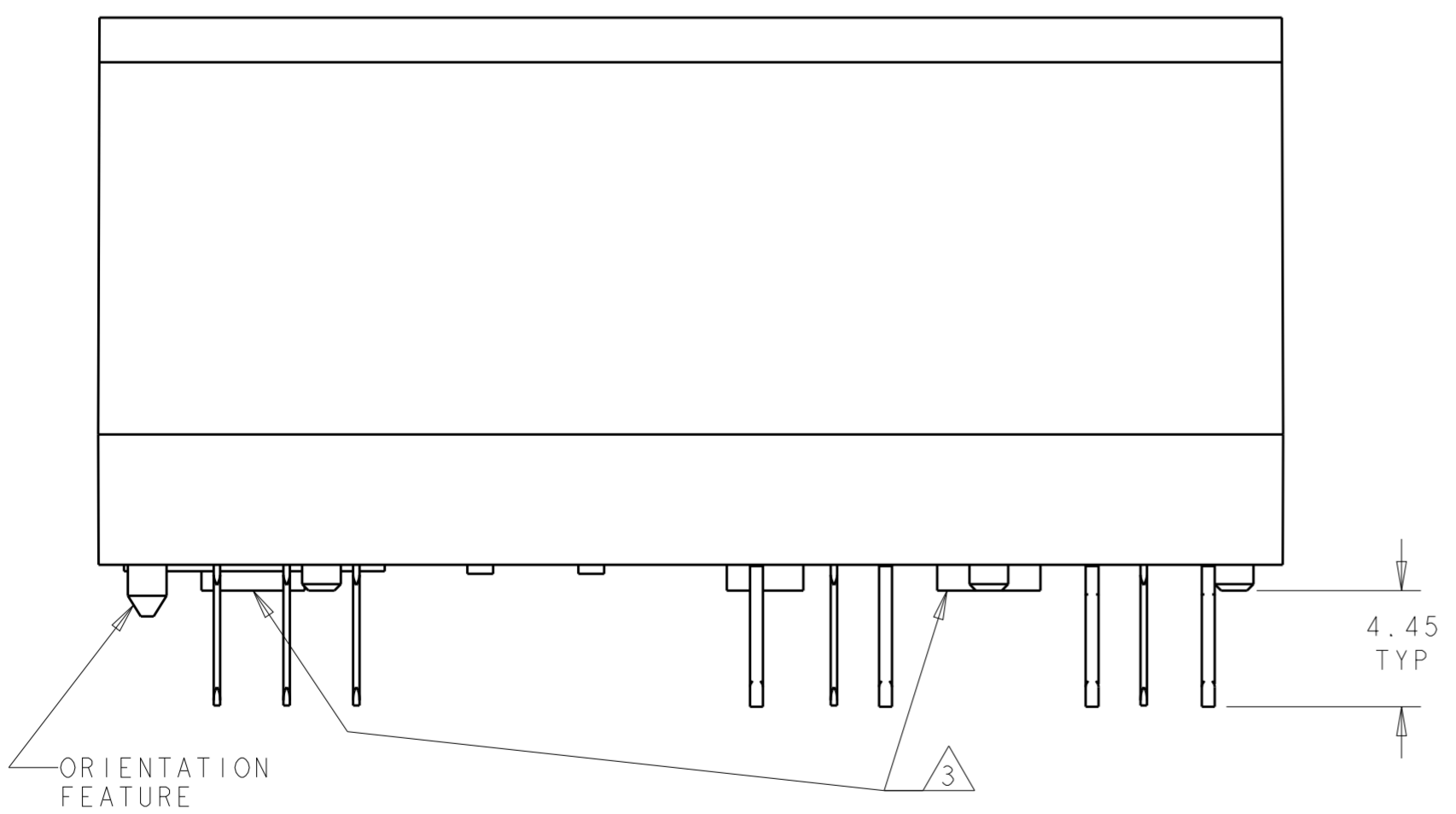
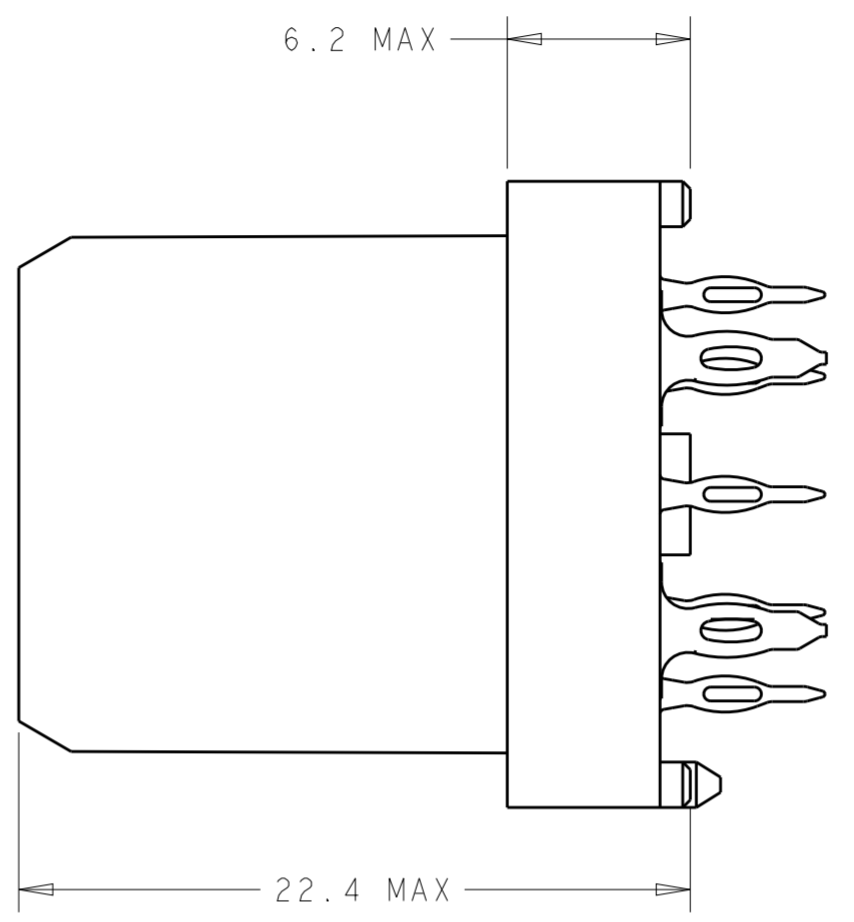
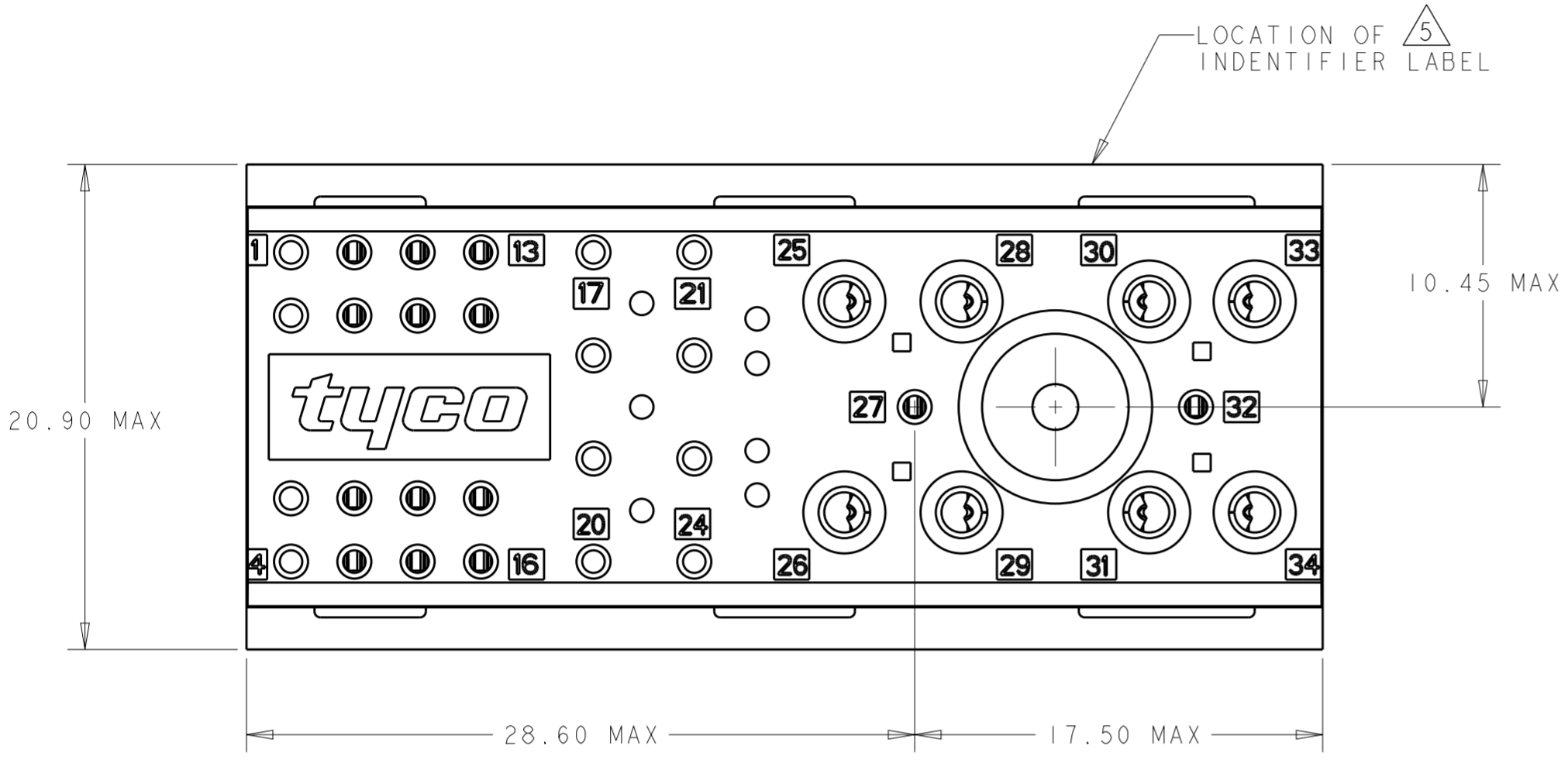
3

2

1

THIS DRAWING IS UNPUBLISHED. RELEASED FOR PUBLICATION 20  
 © COPYRIGHT 20 BY - ALL RIGHTS RESERVED.

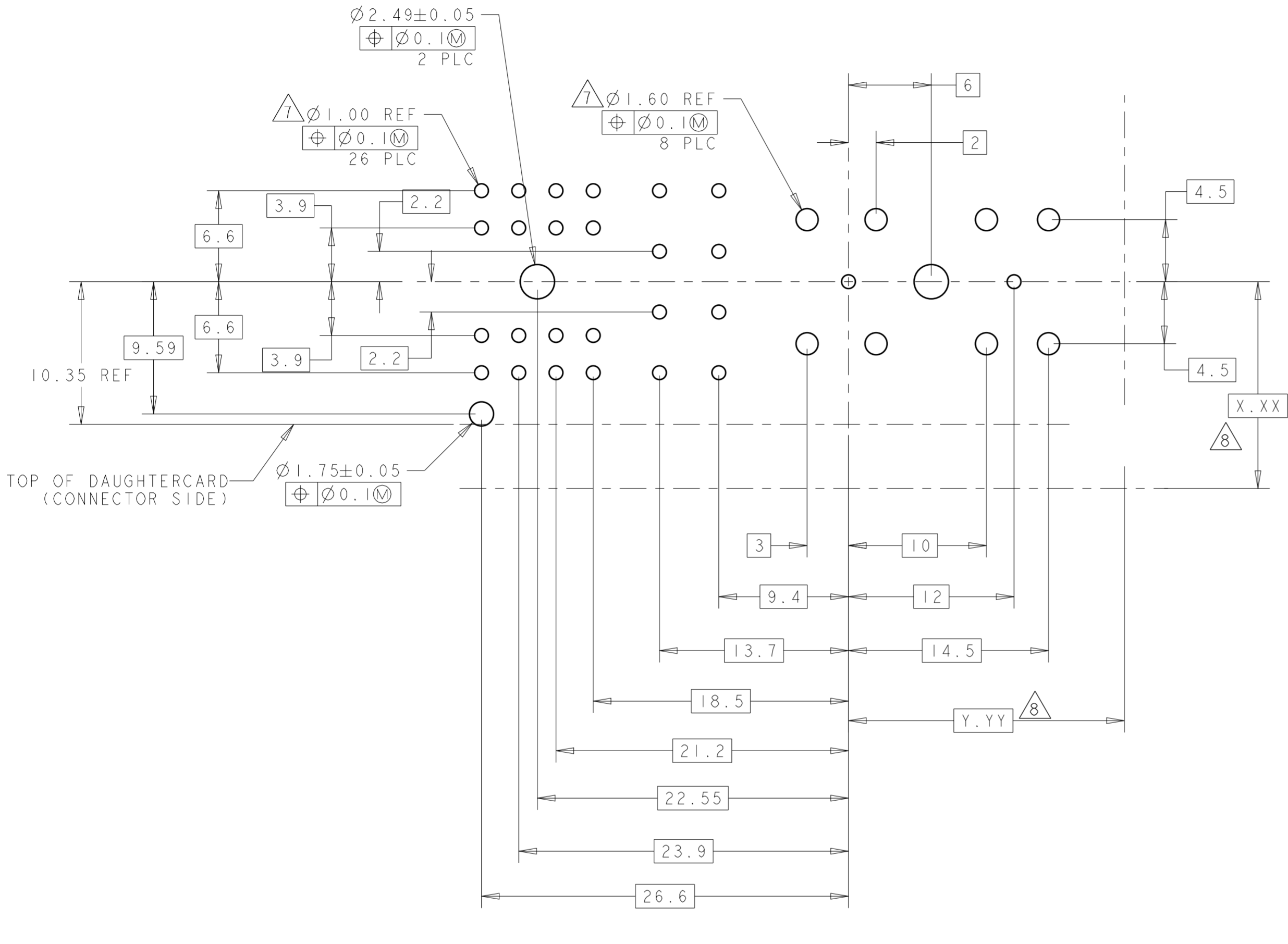
LOC	DIST	REVISIONS					
GP	00	P	LTR	DESCRIPTION	DATE	DWN	APVD
			E	REV PER ECR-12-016995	04NOV2012	OL	SZ



OBSOLETE	△9	1666503-2
	△2	1766503-1
	FINISH	PART NO

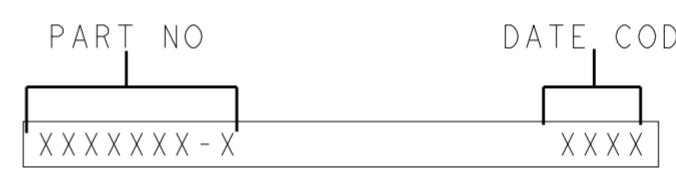
THIS DRAWING IS A CONTROLLED DOCUMENT.		DWN R. TREA	03MAY2006	TE Connectivity NAME CONNECTOR ASSEMBLY, VERTICAL, BACKPLANE, COMPLIANT PRESS FIT, ADVANCED ICA, SELECT LOAD
DIMENSIONS:		CHK J. McCLELLAN	03MAY2006	
mm		APVD -	03MAY2006	
		PRODUCT SPEC 108-2216 APPLICATION SPEC 114-13156		
TOLERANCES UNLESS OTHERWISE SPECIFIED:		WEIGHT		SIZE
0 PLC	±	-		A2
1 PLC	±	-		CAGE CODE
2 PLC	±0.50	-		G-1766503
3 PLC	±0.250	-		DRAWING NO
4 PLC	±	-		RESTRICTED TO
ANGLES	±	-		-
FINISH	△1	-		SCALE
	△2	-		1:1
	△9	-		SHEET
		-		2
		-		REV
		-		E

LOC	DIST	REVISIONS					
GP	00	P	LTR	DESCRIPTION	DATE	DWN	APVD
		-		SEE SHEET 1			



PCB LAYOUT  
 VIEWED FROM CONNECTOR SIDE  
 SCALE 7:2

- 1 MATERIALS:  
 INSULATORS: THERMOPLASTIC, GLASS REINFORCED  
 COLOR-GRAY, UL94V-0, FLAMMABILITY RATED.  
 SIGNAL PINS: COPPER ALLOY.  
 POWER CONTACTS: HIGH CONDUCTIVITY  
 COPPER ALLOY.
- 2 FINISHES:  
 CONTACTS MATING ZONE: GOLD PLATE, 0.76µm MIN THK.  
 OVER NICKEL 1.27µm MIN THK.  
 SOLDER TAILS: TIN PLATED, 1.27µm MIN THK.  
 OVER NICKEL 1.27µm MIN THK.
- 3 OPTIONAL MOUNTING SCREWS (Ø2.0mm x 5.0mm DP) FOR USE WITH  
 SELF TAPPING SCREWS (CUSTOMER SUPPLIED).
- 4 POSITIONS 5-16 AND 25-34 LOADED.
- 5 ITEMS PROVIDED TO THIS SPECIFICATION TO BE PERMANENTLY  
 IDENTIFIED PER THE FOLLOWING IDENTIFIER LABEL:  
 YEAR WEEK



6. GENERAL INFORMATION:

TYPE DESIGNATION	TYCO PART NO	SIZE NO	CONTACT QTY	MATING PIN DIA
ZP-A-030F-PI-2B	1766501-1	16 22	8 14	Ø1.60 Ø0.76

- 7 MANUFACTURING TOLERANCE FOR:  
 Ø1.60<sup>+0.09</sup>/<sub>-0.06</sub> FINISHED HOLE WITH Sn PLATING:  
 DRILLED HOLE = Ø1.75±0.025  
 COPPER PLATING = 0.025 MIN  
 Sn PLATING = 0.008 MIN  
  
 Ø1.00<sup>+0.09</sup>/<sub>-0.06</sub> FINISHED HOLE WITH Sn PLATING:  
 DRILLED HOLE = Ø1.15±0.025  
 COPPER PLATING = 0.025 MIN  
 Sn PLATING = 0.008 MIN
- 8 DATUMS AND BASIC DIMENSIONS TO BE ESTABLISHED BY CUSTOMER.
- 9 FINISHES:  
 CONTACTS MATING ZONE: GOLD PLATE, 0.76µm MIN THK.  
 OVER NICKEL 1.27µm MIN THK.  
 SOLDER TAILS: TIN-LEAD PLATED, 1.27µm MIN THK.  
 OVER NICKEL 1.27µm MIN THK.

10. CONTACT AREA LUBRICATED WITH BELLCORE APPROVED LUBRICANT. TECHNICAL  
 REFERENCE: GR-1217-COR, ISSUE 1, NOVEMBER 1995

THIS DRAWING IS A CONTROLLED DOCUMENT.		DWN R. TREA 03MAY2006	TE Connectivity	
DIMENSIONS: mm		CHK J. McCLELLAN 03MAY2006		
TOLERANCES UNLESS OTHERWISE SPECIFIED:		APVD - 03MAY2006	NAME CONNECTOR ASSEMBLY, VERTICAL, BACKPLANE, COMPLIANT PRESS FIT, ADVANCED ICA, SELECT LOAD	
0 PLC ± 1 PLC ± 2 PLC ±0.50 3 PLC ±0.250 4 PLC ± ANGLES ± FINISH ±		PRODUCT SPEC 108-2216	SIZE A20779	
MATERIAL		APPLICATION SPEC 114-13156	DRAWING NO C-1766503	
		WEIGHT -	RESTRICTED TO -	
		Customer Drawing	SCALE 1:1	SHEET 2 OF 2

## X-ON Electronics

Largest Supplier of Electrical and Electronic Components

*Click to view similar products for [Heavy Duty Power Connectors](#) category:*

*Click to view products by [TE Connectivity](#) manufacturer:*

Other Similar products are found below :

[647757-1](#) [6643411-1](#) [6646058-2](#) [6646137-1](#) [6646138-1](#) [6646479-1](#) [6646608-1](#) [6646786-1](#) [6646940-1](#) [6651091-1](#) [6651525-1](#) [6651529-1](#)  
[6651788-1](#) [696475-1](#) [702-32-01109](#) [703-25-02205](#) [73000005059](#) [73000005642](#) [73080255059](#) [73080965046](#) [765-15-0080A](#) [765-16-0080B](#)  
[765-18-0080D](#) [829992-1](#) [902-77-02113](#) [PS00/A0620/6300](#) [PS25/A0420/63](#) [129-1J](#) [1409400](#) [AN0024023](#) [E6374G1](#) [e6389g2](#) [157-43GW8](#)  
[MS3117-14AC](#) [1643543-1](#) [1650540-1](#) [1651811-2](#) [1766260-1](#) [1766282-1](#) [1766966-1](#) [1791340000](#) [NLDFT-3-BL-L-S120-M40A](#) [NLDFT-N-](#)  
[W-L-C240-M40B](#) [NLS-2-R-C240-M40B](#) [NLS-N-W-C240-M40B](#) [NPS-3-BL-T6](#) [1986615-1](#) [2-1589900-8](#) [2199314-1](#) [KA8102](#)