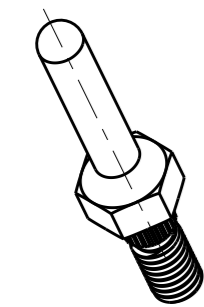


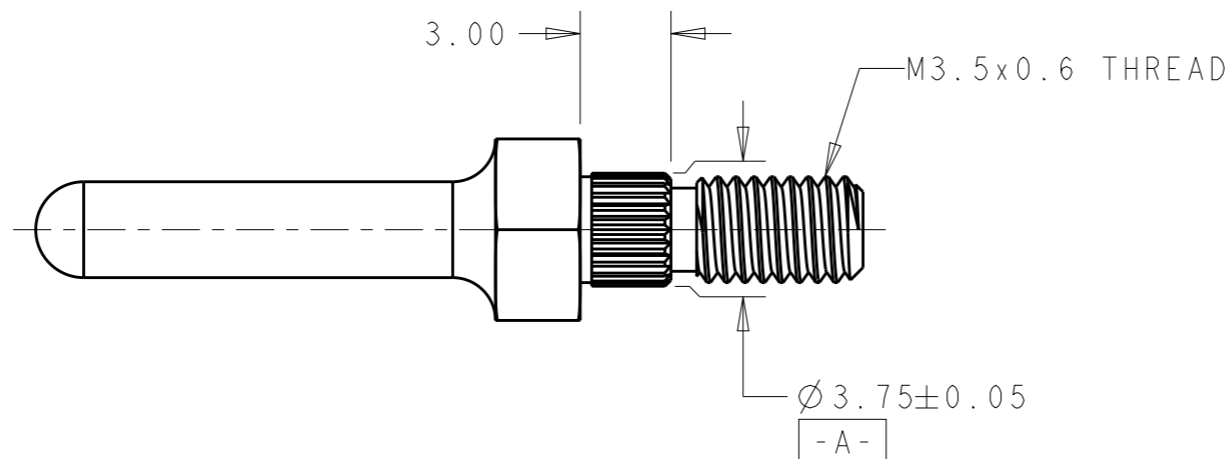
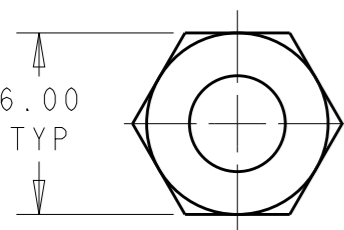
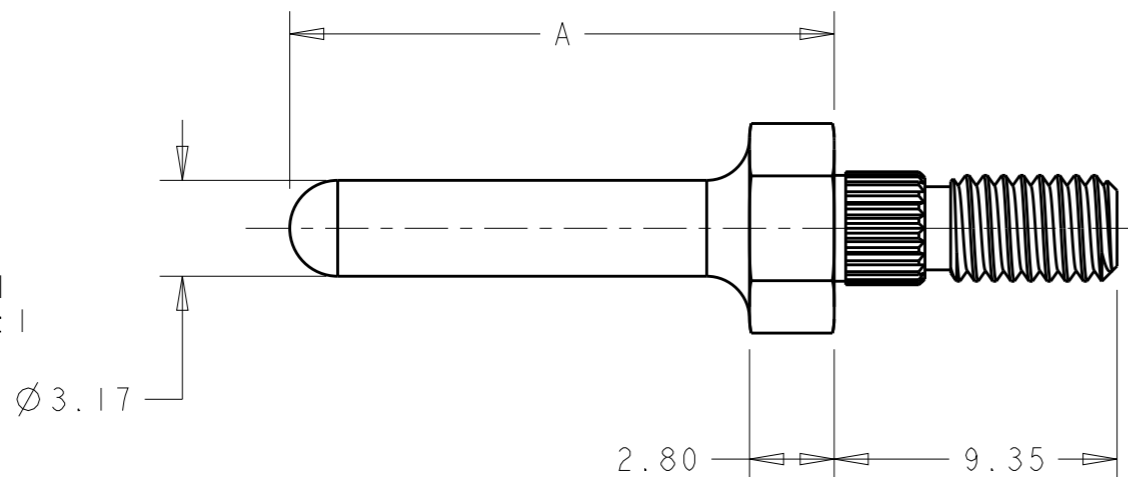
THIS DRAWING IS UNPUBLISHED. RELEASED FOR PUBLICATION 20  
 © COPYRIGHT 20 BY - ALL RIGHTS RESERVED.

REVISIONS

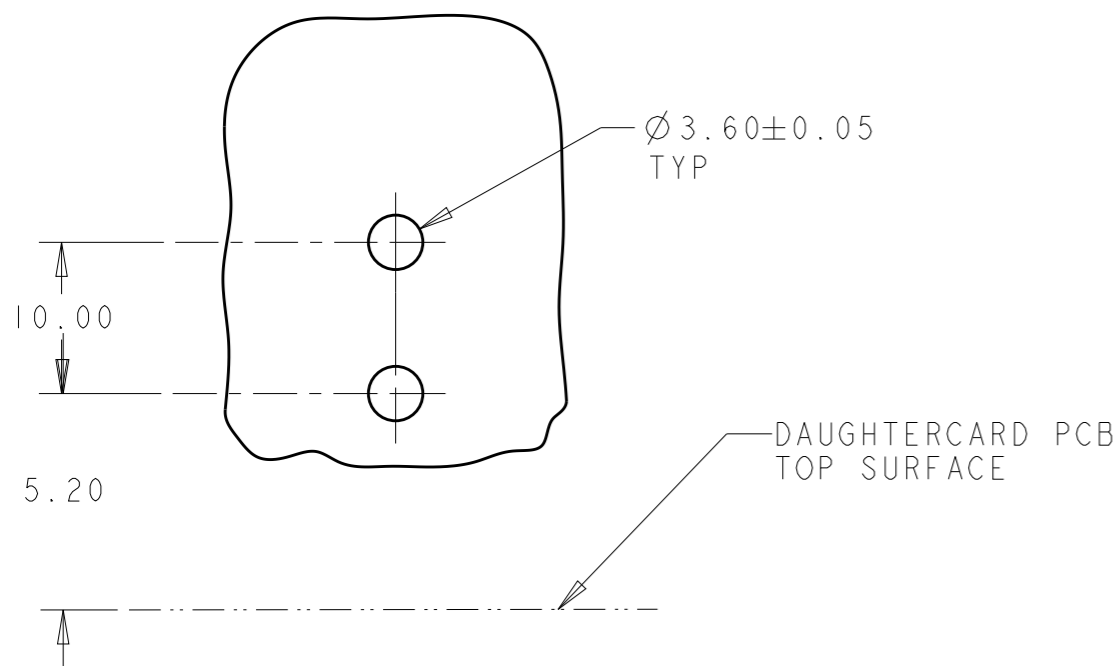
P	LTR	DESCRIPTION	DATE	DWN	APVD
	A	RELEASED PER ECO-09-022496	12OCT2009	RG	DO
	A1	REVISED PER ECR-16-003350	04MAR2016	RS	SZ
	A2	REVISED PER ECR-16-016119	21OCT2016	RS	SZ



1766663-1  
SCALE 2:1



- 1 MATERIAL: BRASS,
- 2 FINISH: SILVER PLATE OVER NICKEL UNDERPLATE.
- 3. MINIMUM PC BOARD THICKNESS: 3.2mm (.125").
- 4. THIS PRODUCT HAS NOT COMPLETED A VALIDATION TEST.



23.00	FIRST MATE	1-1766663-0
21.00	GROUND	1766663-8
20.00	FIRST MATE	1766663-6
18.00	GROUND	1766663-2
16.00	POWER	1766663-1
A	DESCRIPTION	PART NUMBER

RECOMENDED PCB LAYOUT

THIS DRAWING IS A CONTROLLED DOCUMENT.

DIMENSIONS:	TOLERANCES UNLESS OTHERWISE SPECIFIED:
mm	
	0 PLC ±-
	1 PLC ±0.5
	2 PLC ±0.35
	3 PLC ±-
	4 PLC ±-
	ANGLES ±1°
MATERIAL	FINISH

DWN	12SEP2005
CHK	B. COSTELLO
APVD	G. D. DEFIBAUGH
PRODUCT SPEC	G. R. DEFIBAUGH
APPLICATION SPEC	-
WEIGHT	-
CUSTOMER DRAWING	

**STE** TE Connectivity

NAME: IC CON PIN, 3.17mm DIA., POWER/GUIDE

SIZE	CAGE CODE	DRAWING NO	RESTRICTED TO
A3	00779	C-1766663	-

SCALE 2:1 SHEET 1 OF 1 REV A2

## X-ON Electronics

Largest Supplier of Electrical and Electronic Components

*Click to view similar products for [Power to the Board](#) category:*

*Click to view products by [TE Connectivity](#) manufacturer:*

Other Similar products are found below :

[6450171-4](#) [6450552-7](#) [6600323-8](#) [6643429-1](#) [6646040-2](#) [6651939-1](#) [6766604-1](#) [120959-1](#) [1393557-2](#) [1393532-2](#) [1393532-3](#) [1393532-4](#)  
[1393557-1](#) [1600812-5](#) [1-6450861-2](#) [1744132-7](#) [1761122-1](#) [1766250-1](#) [1892109-1](#) [2-6450860-5](#) [2-6450870-0](#) [1-6450161-4](#) [1-6450850-6](#) [1-](#)  
[6450869-6](#) [1645526-2](#) [1-6600130-0](#) [2005243-2](#) [377-0020-11130](#) [TE34-12-16P-F0](#) [51700-10201602AALF](#) [5-6450830-6](#) [5646956-4](#) [377-](#)  
[0080-11131A](#) [4-6450830-9](#) [4-6600333-3](#) [10125416-4050LF](#) [10130248-005LF](#) [6600320-3](#) [3-6450860-5](#) [1888123-2](#) [6450166-1](#) [6643978-1](#)  
[6766605-1](#) [701-15-02109](#) [N11444](#) [6651938-1](#) [6450810-7](#) [46437-1112](#) [1-1589677-8](#) [5646956-5](#)