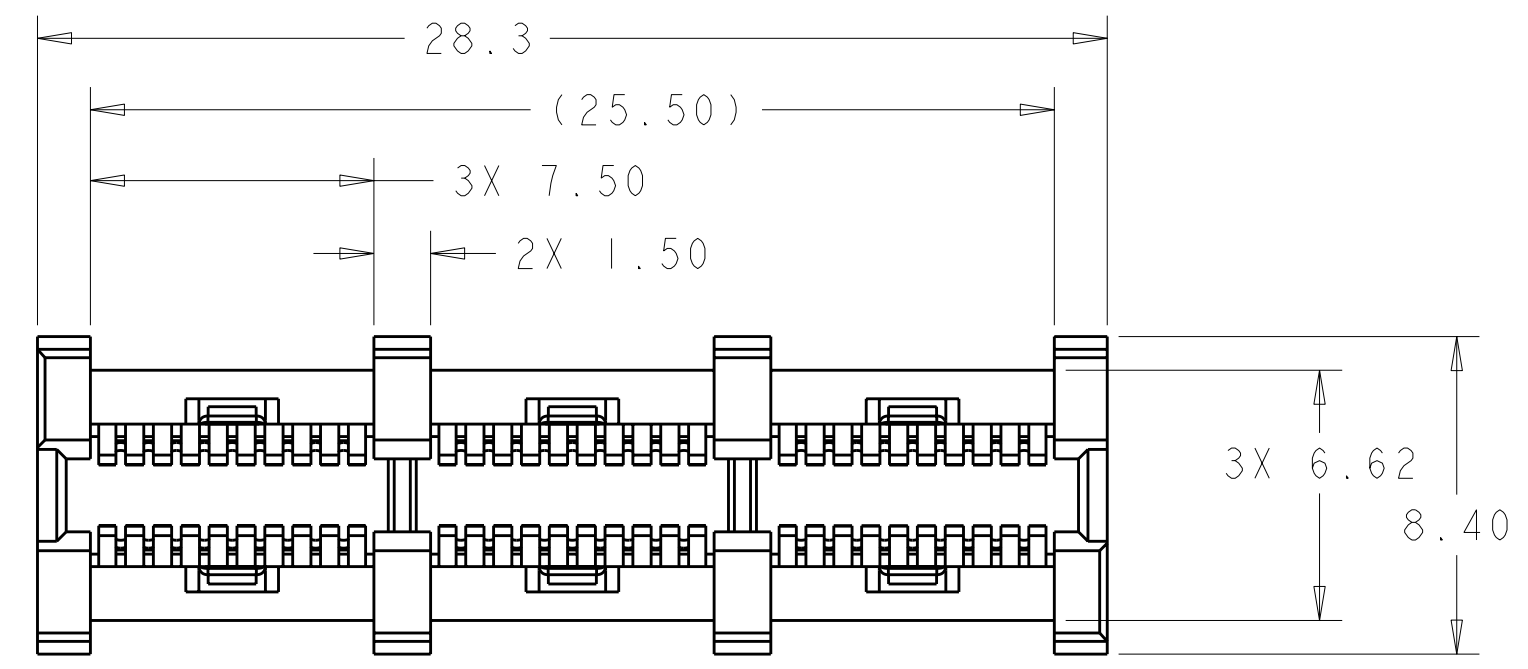


THIS DRAWING IS UNPUBLISHED. RELEASED FOR PUBLICATION 20
 © COPYRIGHT 20 BY TYCO ELECTRONICS CORPORATION. ALL RIGHTS RESERVED.

LOC	DIST	REVISIONS			
P	LTR	DESCRIPTION	DATE	DWN	APVD
GP	00				
	C	REV PER ECO-08-032073	12JAN2009	RG	PD
	CI	REVISED PER ECO-09-025699	11DEC09	KK	AEG



1. PART NUMBER CHANGES AND OR DESIGN CHANGES AFFECTING ITEM INTERCHANGEABILITY REQUIRE PRIOR TYCO ELECTRONICS APPROVAL AND AUTHORIZATION BY REVISION TO THIS DRAWING

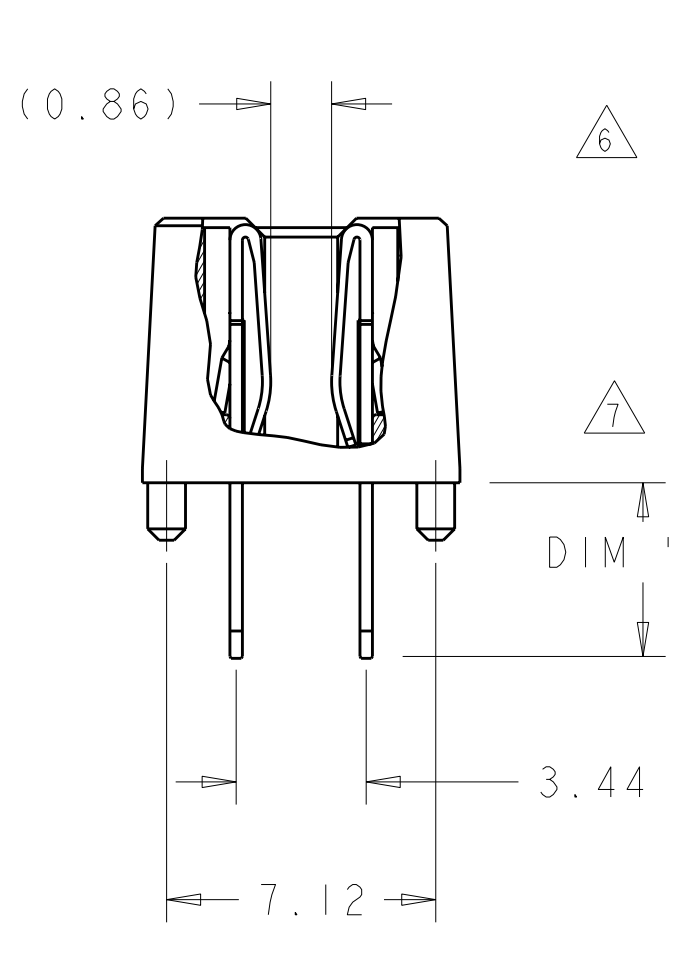
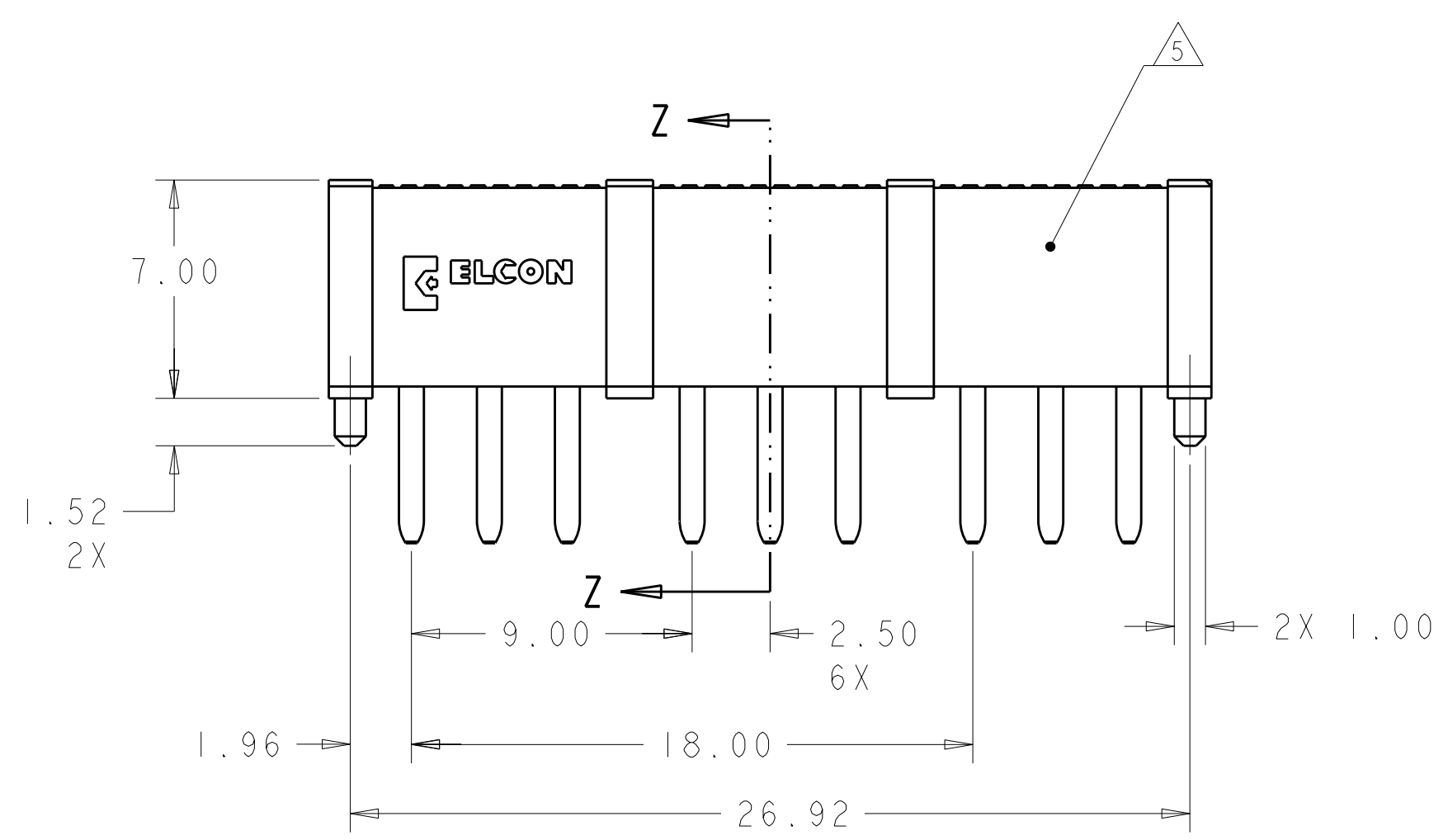
2 MATERIAL:
 INSULATOR - THERMOPLASTIC, GLASS REINFORCED, COLOR: BLACK
 UL94V-0 FLAMMABILITY RATED
 CONTACTS - COPPER ALLOY

3 FINISH:
 CONTACT: GOLD PLATE 0.76µm MIN. THK. OVER NICKEL 1.27µm MIN THK.
 SOLDER TAIL: TIN PLATE 3.05µm MIN THK. OVER NICKEL 1.27µm MIN THK.
 COMPLIANT TAIL: TIN PLATED 1.02µm MIN THK. OVER NICKEL 1.27µm MIN THK.

4. ALL DIMENSIONS SHOWN ACROSS CENTERLINE SHALL BE CENTRALIZED WITHIN THE TOLERANCE INDICATED FOR THAT DIMENSION.

5 ITEMS PROVIDED TO THIS SPECIFICATION TO BE PERMANENTLY IDENTIFIED PER THE FOLLOWING IDENTIFIER:

TYCO ELECTRONICS P/N DATE CODE (e.g. 0625)
 XXXXXXXX-X XXXX



6 RECOMMENDED PRINTED CIRCUIT HOLE:
 FINISHED HOLE: $\phi 1.02 \pm 0.08$
 DRILLED HOLE: $\phi 1.15 \pm 0.13$
 COPPER PLATE: 0.025 MIN (PER SURFACE)
 TIN PLATE: 0.008 MIN. (PER SURFACE)

7 OBSOLETE PARTS: OBSOLETE CIS STREAMLINING PER D.RENAUD/D.SINISI

DIM "A"	PART NUMBER	STATUS
3.8	1766685-3	OBSOLETE
3.0	1766685-2	OBSOLETE
4.5	1766685-1	
DIM "A"	PART NUMBER	

DESCRIPTION	PART NUMBER
COMPLIANT TAIL	1766685-3
SHORT SOLDER TAIL	1766685-2
STD. SOLDER TAIL	1766685-1

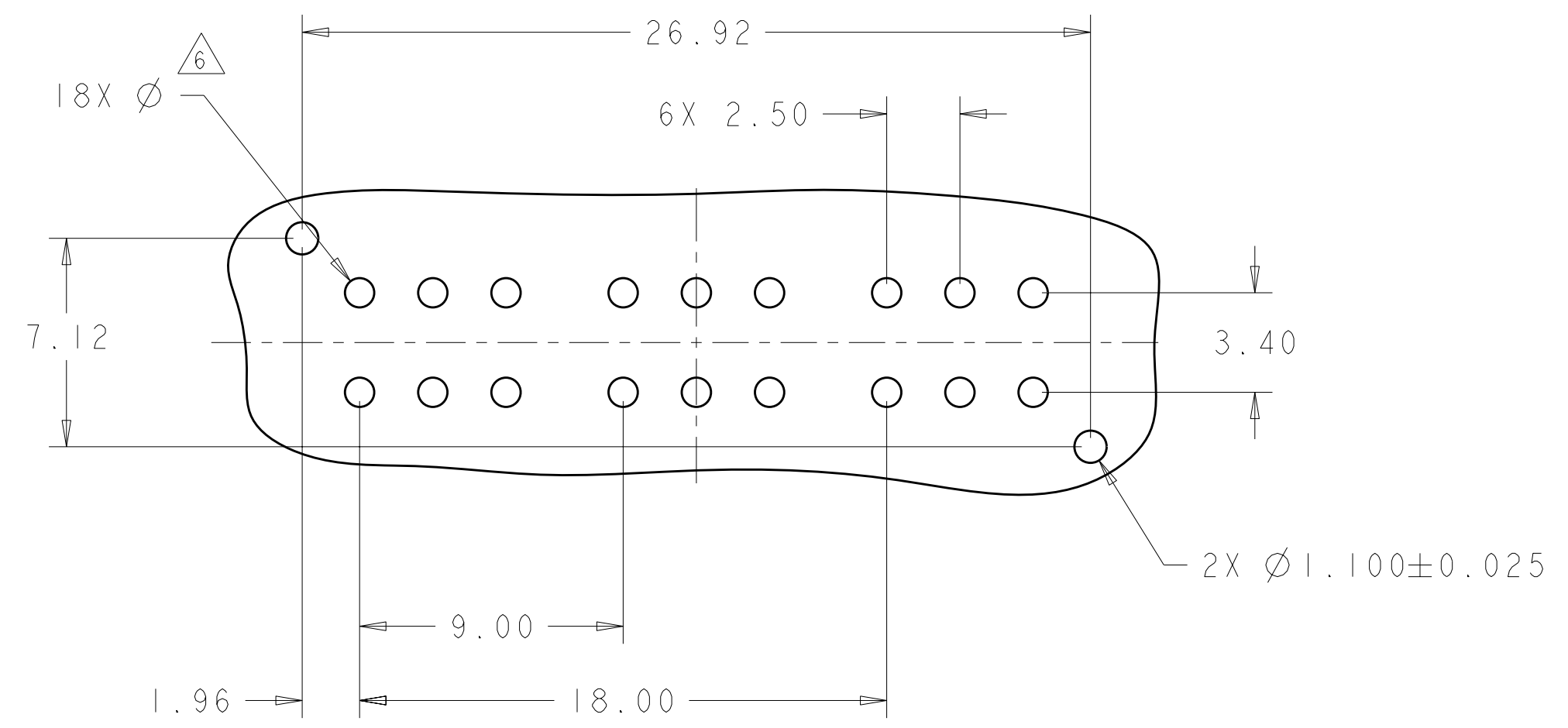
1766685-1 SHOWN
 STANDARD SOLDER TAIL

THIS DRAWING IS A CONTROLLED DOCUMENT FOR TYCO ELECTRONICS CORPORATION IT IS SUBJECT TO CHANGE AND THE CONTROLLING ENGINEERING ORGANIZATION SHOULD BE CONTACTED FOR THE LATEST REVISION.		DWN 12JAN2009 WAN/GRZYBOWSKI CHK P.DAMATO APVD 12JAN2009 CHAU/PERCHERKE	Tyco Electronics Corporation Harrisburg, PA 17105-3608
DIMENSIONS: mm 	TOLERANCES UNLESS OTHERWISE SPECIFIED: 0 PLC ±- 1 PLC ±.5 2 PLC ±.25 3 PLC ±. 4 PLC ±- ANGLES ±2 FINISH	PRODUCT SPEC APPLICATION SPEC WEIGHT -	NAME SOCKET CONNECTOR ASSEMBLY SOLDER AND COMPLIANT TAIL MC-P3SO MINI CROWN EDGE SIZE CAGE CODE DRAWING NO RESTRICTED TO A200779C-1766685 -
MATERIAL 2 - 3		CUSTOMER DRAWING	SCALE 5:1 SHEET 1 OF 2 REV C1

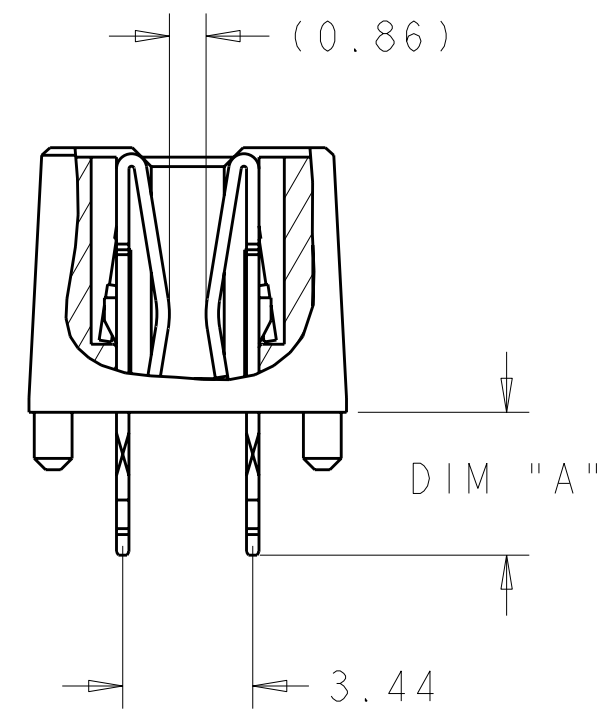
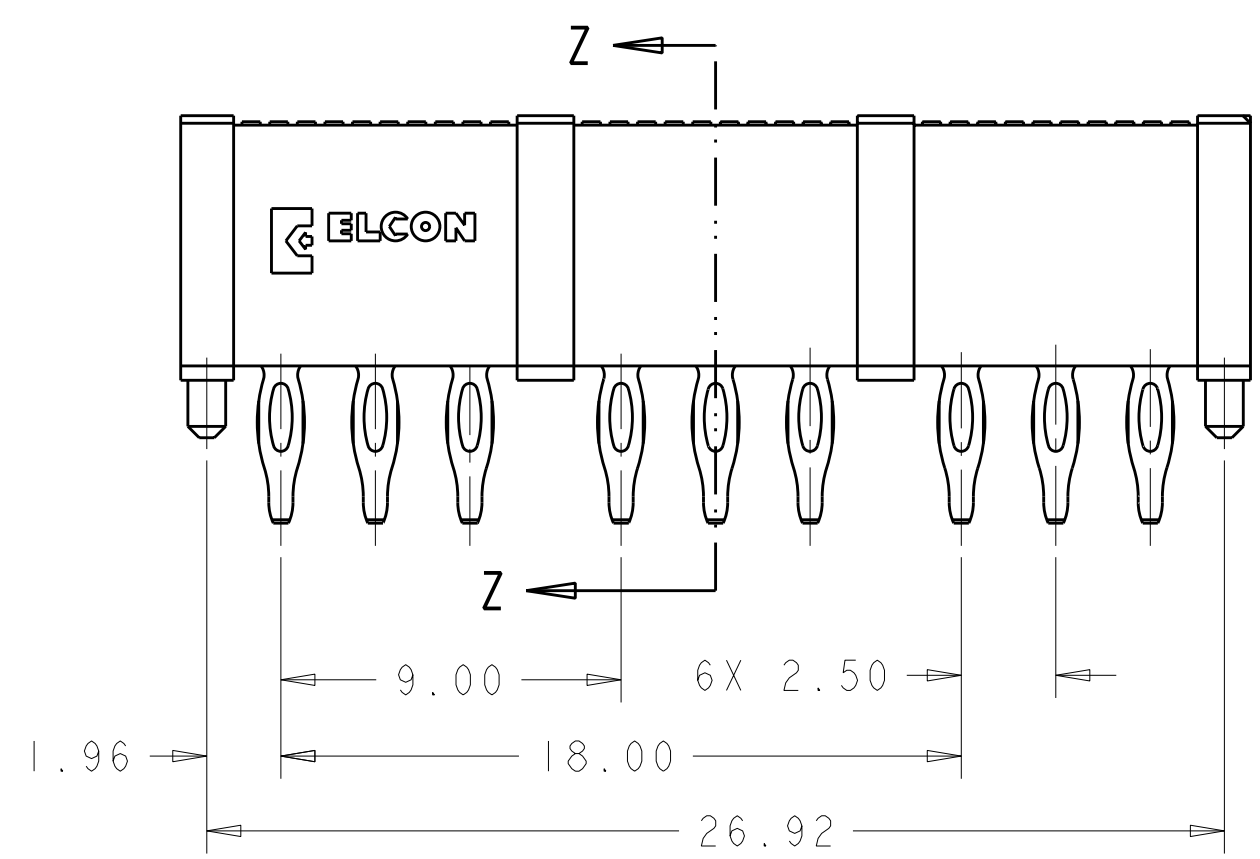
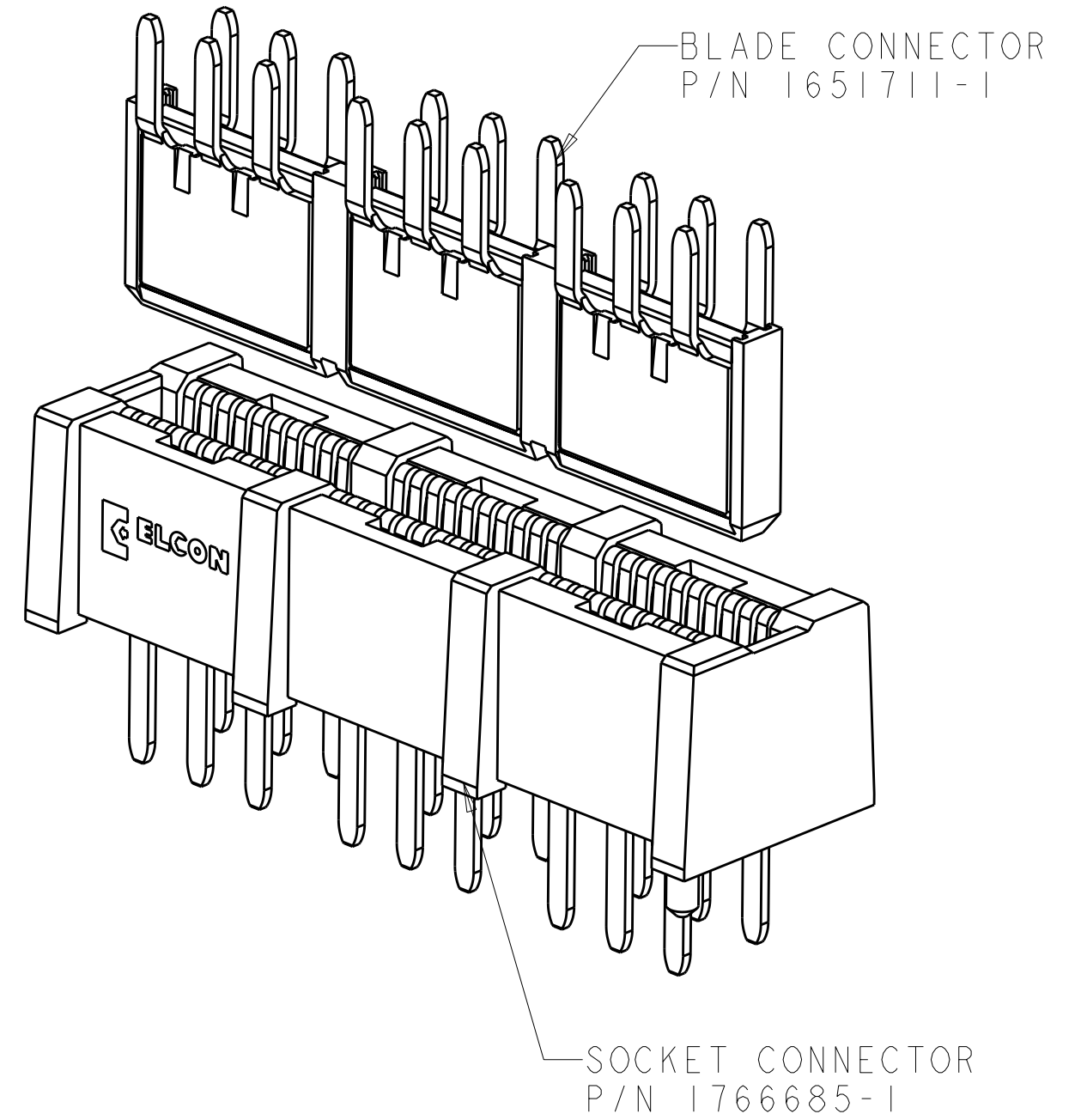
ELCON MINI CROWN EDGE

THIS DRAWING IS UNPUBLISHED. RELEASED FOR PUBLICATION 20
 © COPYRIGHT 20 BY TYCO ELECTRONICS CORPORATION. ALL RIGHTS RESERVED.

LOC		DIST		REVISIONS			
P	LTR	DESCRIPTION	DATE	DWN	APVD		
GP	00	-	SEE SHEET 1	-	-		



RECOMMENDED PC BOARD LAYOUT
 VIEWED FROM THE CONNECTOR SIDE



SECTION Z-Z

1766685-3 SHOWN
 COMPLIANT TAIL

THIS DRAWING IS A CONTROLLED DOCUMENT FOR TYCO ELECTRONICS CORPORATION. IT IS SUBJECT TO CHANGE AND THE CONTROLLING ENGINEERING ORGANIZATION SHOULD BE CONTACTED FOR THE LATEST REVISION.		DWN WAN/GRZYBOWSKI 12 JAN 2009	Tyco Electronics Corporation Harrisburg, PA 17105-3608	
DIMENSIONS: mm		CHK P. DAMATO	NAME SOCKET CONNECTOR ASSEMBLY SOLDER AND COMPLIANT TAIL MC-P350 MINI CROWN EDGE	
TOLERANCES UNLESS OTHERWISE SPECIFIED: 0 PLC ±.5 1 PLC ±.25 2 PLC ±.25 3 PLC ±. 4 PLC ±. ANGLES ±2 FINISH		APVD CHAU/PERCHERRE 12 JAN 2009	RESTRICTED TO	
MATERIAL		PRODUCT SPEC	SIZE A200779	CAGE CODE C-1766685
		APPLICATION SPEC	SCALE 5:1	SHEET 2 OF 2
		WEIGHT	REV C1	
		CUSTOMER DRAWING		

X-ON Electronics

Largest Supplier of Electrical and Electronic Components

Click to view similar products for [D-Sub Micro-D Connectors](#) category:

Click to view products by [TE Connectivity](#) manufacturer:

Other Similar products are found below :

[65-1920-15](#) [M83513/03-G12N](#) [M83513/04-G04C](#) [664020C06F060](#) [6R2004A30F015](#) [6R4006A28A120](#) [704002A03F200](#) [705001A13F120](#)
[71-147714-19P](#) [7-1532020-5](#) [748567-1-P](#) [MDB1-9SH001](#) [MDM-100PH003L](#) [MDM-15PBS-L58](#) [MDM-15PCBRM7T](#) [MDM-15PH001M7-](#)
[A174](#) [MDM-15PH003B-A174](#) [MDM-15SH001L](#) [MDM-15SH003A](#) [MDM-15SH004B](#) [MDM-15SH006A-A174](#) [MDM-15SH048B](#) [MDM-](#)
[21PH003P](#) [MDM-25PH003B-A174](#) [MDM-25SH003F](#) [MDM-25SH003K](#) [MDM-31PH003L](#) [MDM-37PH006L-A174](#) [MDM-37SH003K](#)
[MDM51PH016FA174](#) [MDM-51PSF](#) [MDM-51SH046B](#) [MDM-9PH003M7](#) [MDM-9SH001P](#) [MDM-9SH006B](#) [790-027SH-10P4MEP](#) [790-](#)
[041PJ-25P2MPA](#) [790-043PJ-7P7MPB](#) [791-004SH-66MSA](#) [7R3A00A19A1201](#) [7R5006A19A120](#) [803000C02M020](#) [803001B02M040](#)
[803001D01M040](#) [8030N1A09M020](#) [804001B03M100](#) [804006B03M100](#) [804006C02M030](#) [MLDM2L-21SCBRP-.110](#) [85043GULSR](#)