

4

3

2

1

This drawing involves proprietary design rights of Tyco Electronics Corporation, and all design, manufacture, reproduction, use and sale rights regarding the same are expressly reserved. It is submitted for a specific purpose and the recipient by accepting this drawing, assumes custody and control and agrees to take reasonable precautions: (a) that this drawing will not be copied and reproduced, in whole or in part, or its contents revealed in any manner, or to any person except to meet the purpose for which it was delivered and (b) that any special features peculiar to this design will not be incorporated in other projects without the expressed written permission of Tyco Electronics Corporation.

REVISIONS			
EC	REV	DESCRIPTION	DATE
CPR	A	NEW RELEASE	07/28/05

6. CONNECTOR INFORMATION

CONNECTOR	TYCO PART NUMBER	CONFIGURATION REF #	CONTACT	POSITION	CONTACT PITCH	VOLTAGE RATING*
PIN	1766693-1	MPK005	SIGNAL	3-26	2.50 [.098]	60 VOLTS
			POWER	1-2	6.00 [236]	60 VOLTS
			POWER	27-29	7.50 [295]	250 VOLTS

*IAW UL 60950

NOTES: UNLESS OTHERWISE SPECIFIED.

1. PART NUMBER CHANGES AND OR DESIGN CHANGES AFFECTING ITEM INTERCHANGEABILITY REQUIRE PRIOR ELCON APPROVAL AND AUTHORIZATION BY REVISION TO THIS DRAWING.

2. MATERIALS:
INSULATORS: THERMOPLASTIC, GLASS REINFORCED, COLOR-BLACK, UL94V-0 FLAMMABILITY RATED.

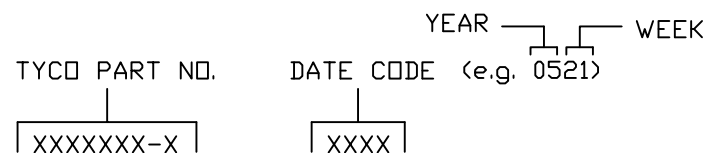
POWER CONTACTS: COPPER ALLOY.

3. FINISHES:
CONTACT PLATING: GOLD PLATED PER MIL-G-45204 TYPE II, CLASS 0, .000030" MIN. THICKNESS OVER NICKEL, PER QQ-N-290,

TERMINALS: TIN PLATED, MATTE FINISH
.000100" MIN. THICKNESS.

4. REFER TO DRAWING 997-010 FOR MATING SEQUENCE & MISALIGNMENT.

5. ITEMS PROVIDED TO THIS SPECIFICATION TO BE PERMANENTLY IDENTIFIED PER THE FOLLOWING IDENTIFIER.



<p>THIRD ANGLE PROJECTION</p> <p>UNLESS OTHERWISE SPECIFIED DIMENSIONS ARE IN METRIC [INCHES]</p> <p>TOLERANCES</p> <p>ANGLES ± .5°</p> <p>DECIMALS</p> <p>.XX ± .25 [.010]</p> <p>.X ± .5 [.020]</p>	<p>DRAWN</p> <p>R. F. A.</p>	<p>DATE</p> <p>06/21/05</p>	<p>tyco Tyco Electronics Corporation Electronics Menlo Park, Ca 94025</p>		<p>ELCON</p>	
	<p>CHECKED</p>		<p>TITLE</p> <p>CONNECTOR, PIN, RIGHT ANGLE SHORT SOLDER TAILS, MINIPAK PN 1766693-1</p>			
	<p>APPROVED</p>		<p>APPROVED</p> <p>D. CHAU</p> <p>07/28/05</p>	<p>SIZE</p> <p>B</p>	<p>DWG NUMBER</p> <p>C = 1766693</p>	<p>REV.</p> <p>A</p>
	<p>APPROVED</p> <p>M. ALIM</p> <p>07/28/05</p>	<p>ACAD FILE NUMBER</p> <p>C1766693A.DWG</p>	<p>DWG SCALE</p> <p>1=1</p>	<p>SH</p> <p>1 OF 3</p>		

4

3

2

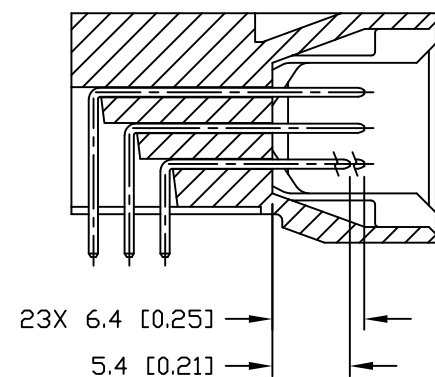
1

This drawing involves proprietary design rights of Tyco Electronics Corporation, and all design, manufacture, reproduction, use and sale rights regarding the same are expressly reserved. It is submitted for a specific purpose and the recipient by accepting this drawing, assumes custody and control and agrees to take reasonable precautions: (a) that this drawing will not be copied and reproduced in whole or in part, or its contents revealed in any manner, or to any person except to meet the purpose for which it was delivered and (b) that any special features peculiar to this design will not be incorporated in other projects without the expressed written permission of Tyco Electronics Corporation.

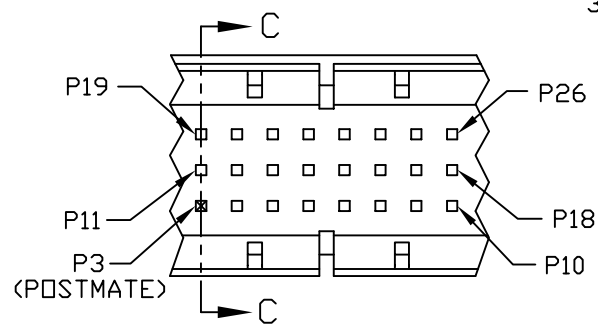
REVISIONS			
EC	REV	DESCRIPTION	DATE
		SEE SHEET 1	

B

B

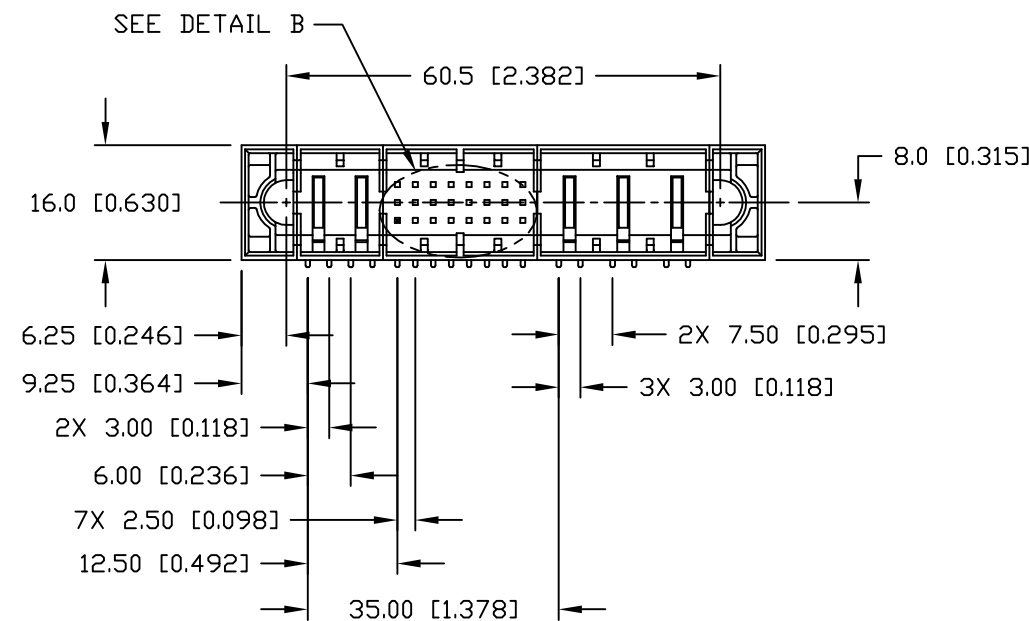
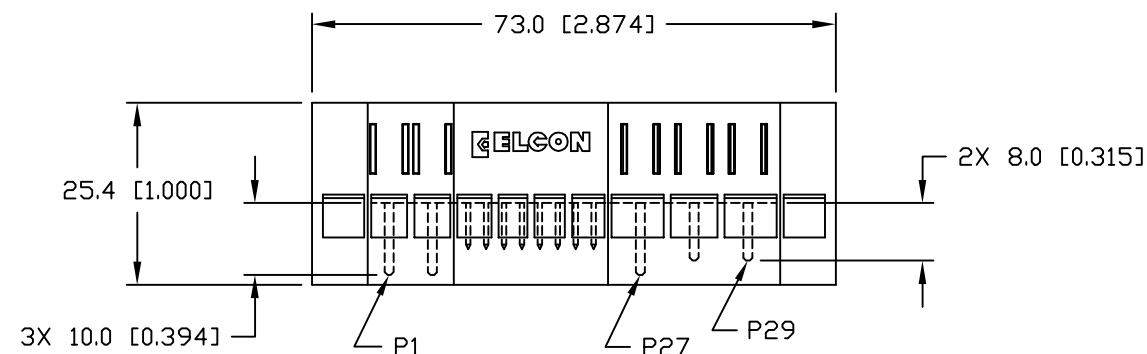
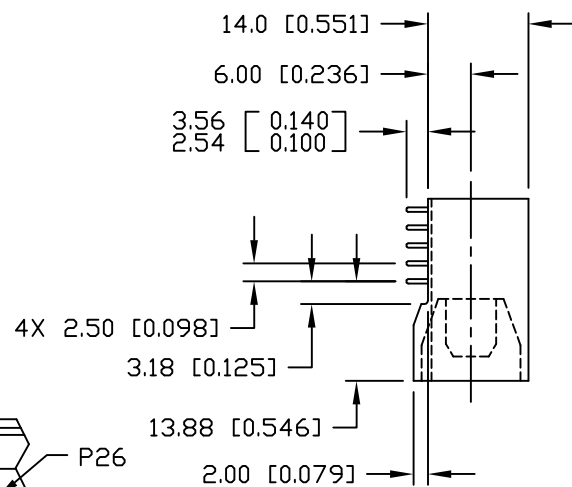


SECTION C-C



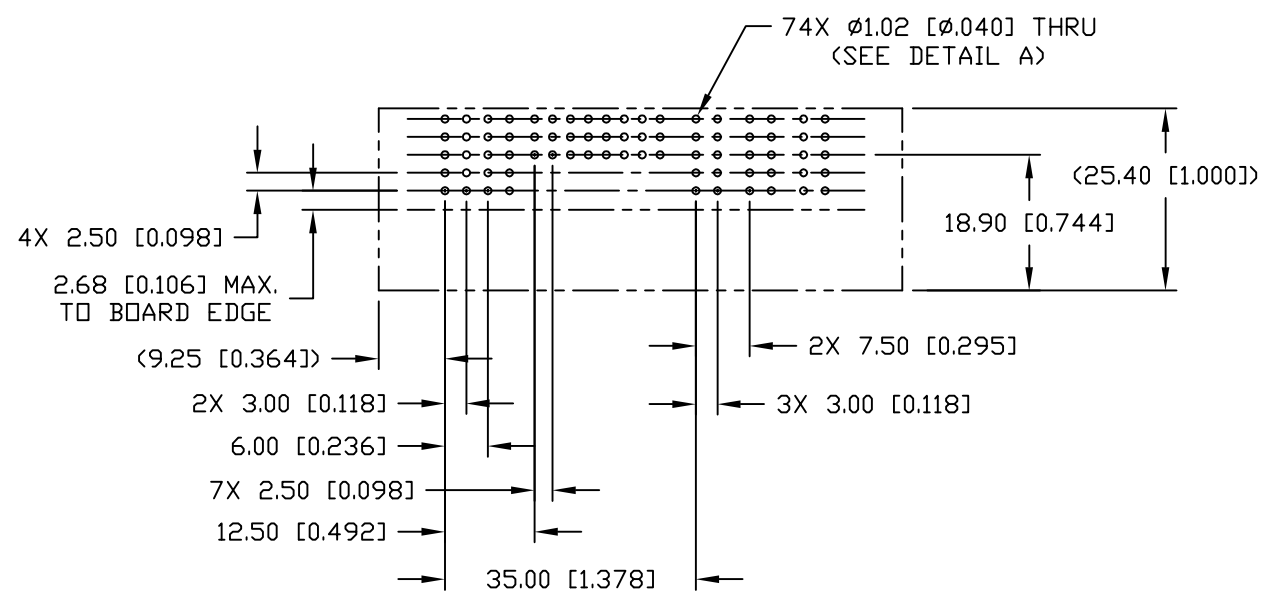
DETAIL B

KEY:
 ☒ POSTMATE PIN
 □ STANDARD PIN (23 PLACES)



A

A



RECOMMENDED PC LAYOUT

THIRD ANGLE PROJECTION UNLESS OTHERWISE SPECIFIED DIMENSIONS ARE IN METRIC [INCHES] TOLERANCES ANGLES ± .5° DECIMALS .XX ± .25 [.010] .X ± .5 [.020]	DRAWN	DATE	tyco Tyco Electronics Corporation Electronics Menlo Park, Ca 94025 ELCON	TITLE CONNECTOR, PIN, RIGHT ANGLE SHORT SOLDER TAILS, MINIPAK PN 1766693-1	SIZE B	DWG NUMBER C = 1766693	REV. A
	R. F. A.	06/21/05					
	CHECKED						
	APPROVED						
	D. CHAU	07/28/05					
	M. ALIM	07/28/05					
	ACAD FILE NUMBER	C1766693A.DWG		DWG SCALE	1=1	SH	2 OF 3

4

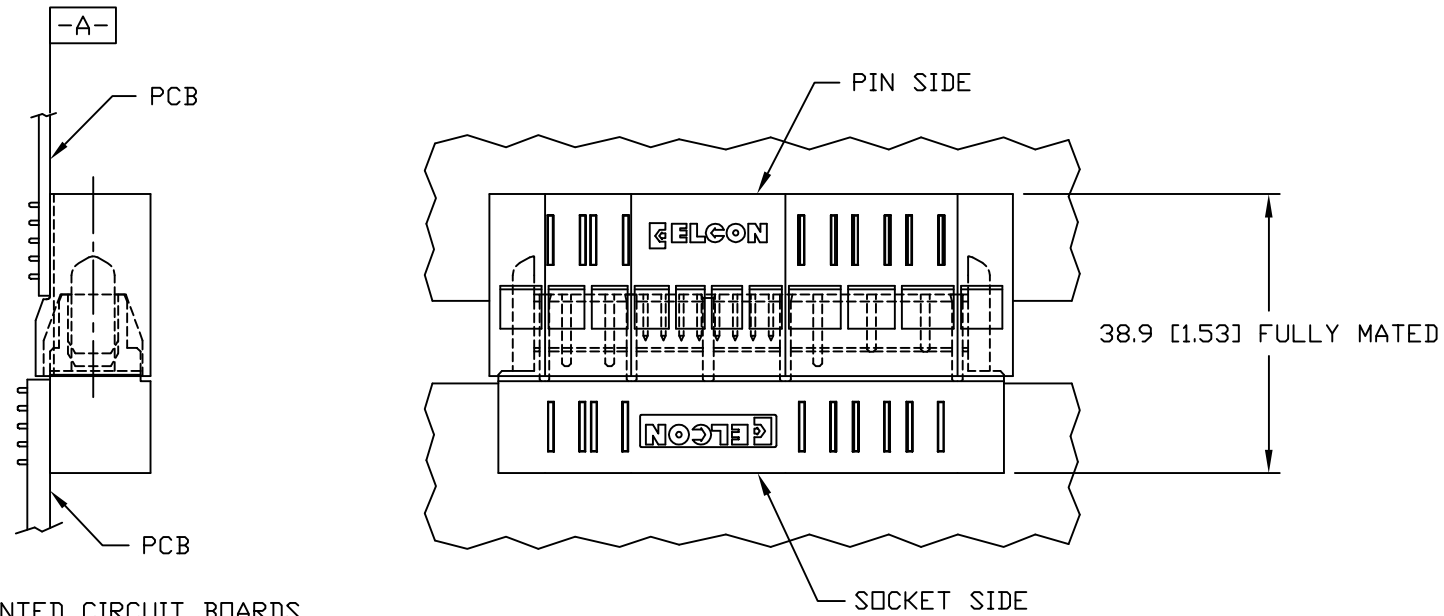
3

2

1

This drawing involves proprietary design rights of Tyco Electronics Corporation, and all design, manufacture, reproduction, use and sale rights regarding the same are expressly reserved. It is submitted for a specific purpose and the recipient by accepting this drawing, assumes custody and control and agrees to take reasonable precautions: (a) that this drawing will not be copied and reproduced in whole or in part, or its contents revealed in any manner, or to any person except to meet the purpose for which it was delivered and (b) that any special features peculiar to this design will not be incorporated in other projects without the expressed written permission of Tyco Electronics Corporation.

REVISIONS			
EC	REV	DESCRIPTION	DATE
		SEE SHEET 1	



NOTE: PRINTED CIRCUIT BOARDS ARE AT THE SAME DATUM A.

MATED CONDITION

DETAIL A

COMPLIANT TERMINATION AREA

RECOMMENDED PRINTED CIRCUIT HOLE FOR COMPLIANT PRESS FIT

- FINISHED HOLE: $\phi 1.02$ [.040] $\pm .08$ [.003]
- DRILLED HOLE: $\phi 1.15$ [.0453] $\pm .013$ [.0005]
- COPPER PLATE: .025 [.0010] MINIMUM (PER SURFACE)
- TIN PLATE: .008 [.0003] MINIMUM (PER SURFACE)

<p>THIRD ANGLE PROJECTION</p> <p>UNLESS OTHERWISE SPECIFIED DIMENSIONS ARE IN METRIC [INCHES]</p> <p>TOLERANCES</p> <p>ANGLES $\pm .5^\circ$</p> <p>DECIMALS</p> <p>.XX $\pm .25$ [.010]</p> <p>.X $\pm .5$ [.020]</p>	DRAWN	DATE	Tyco Electronics Corporation Menlo Park, Ca 94025 		
	R. F. A.	06/21/05			
	CHECKED		<p>TITLE</p> <p>USER INFORMATION AND MATED CONDITION</p> <p>PN 1766693-1</p>		
	APPROVED				
	APPROVED		SIZE	DWG NUMBER	REV.
	D. CHAU	07/28/05	B	C = 1766693	A
	M. ALIM	07/28/05			
	ACAD FILE NUMBER	C1766693A.DWG		DWG SCALE	1=1 SH 3 OF 3

X-ON Electronics

Largest Supplier of Electrical and Electronic Components

Click to view similar products for [Heavy Duty Power Connectors](#) category:

Click to view products by [TE Connectivity](#) manufacturer:

Other Similar products are found below :

[647757-1](#) [6643411-1](#) [6646058-2](#) [6646137-1](#) [6646138-1](#) [6646479-1](#) [6646608-1](#) [6646786-1](#) [6646940-1](#) [6651091-1](#) [6651525-1](#) [6651529-1](#)
[6651788-1](#) [696475-1](#) [702-32-01109](#) [703-25-02205](#) [73000005059](#) [73000005642](#) [73080255059](#) [73080965046](#) [765-15-0080A](#) [765-16-0080B](#)
[765-18-0080D](#) [829992-1](#) [902-77-02113](#) [PS00/A0620/6300](#) [PS25/A0420/63](#) [129-1J](#) [1409400](#) [AN0024023](#) [E6374G1](#) [e6389g2](#) [157-43GW8](#)
[MS3117-14AC](#) [1643543-1](#) [1650540-1](#) [1651811-2](#) [1766260-1](#) [1766282-1](#) [1766966-1](#) [1791340000](#) [NLDFT-3-BL-L-S120-M40A](#) [NLDFT-N-](#)
[W-L-C240-M40B](#) [NLS-2-R-C240-M40B](#) [NLS-N-W-C240-M40B](#) [NPS-3-BL-T6](#) [1986615-1](#) [2-1589900-8](#) [2199314-1](#) [KA8102](#)