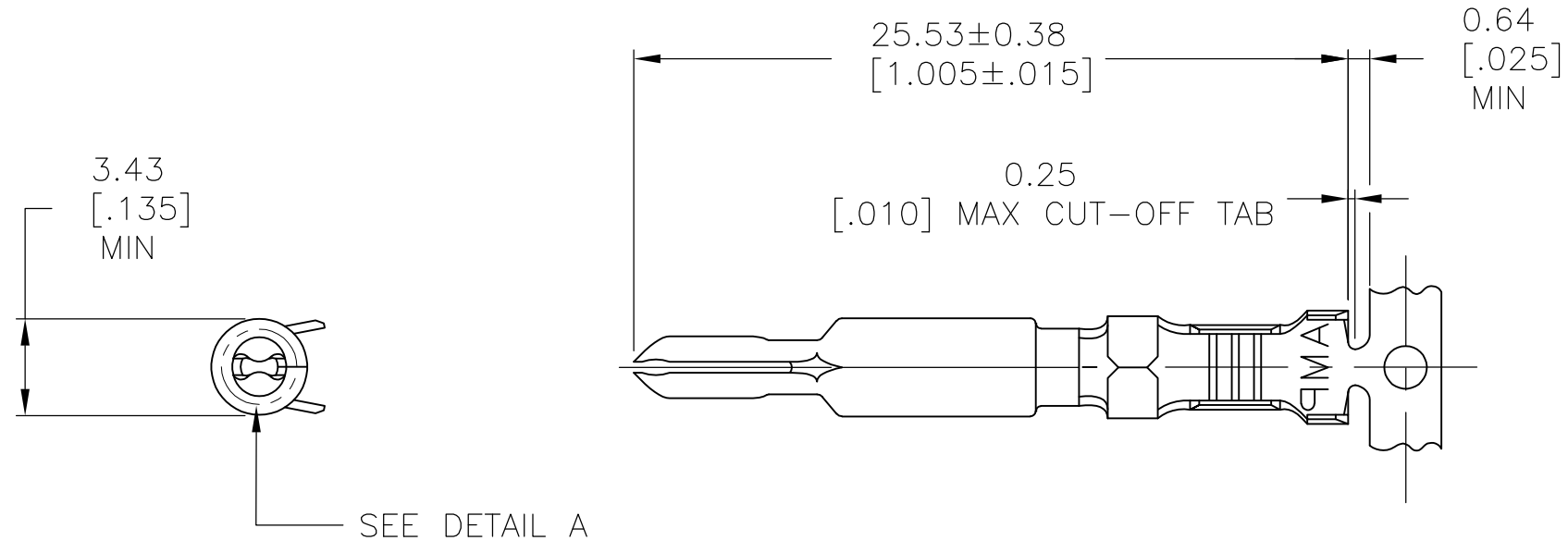
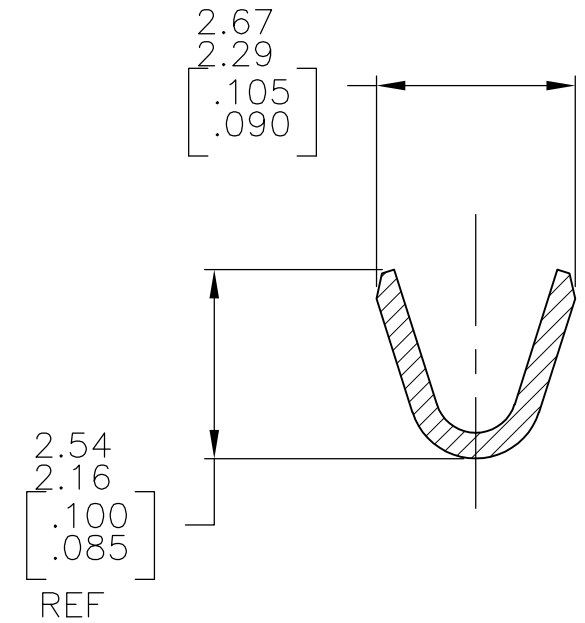
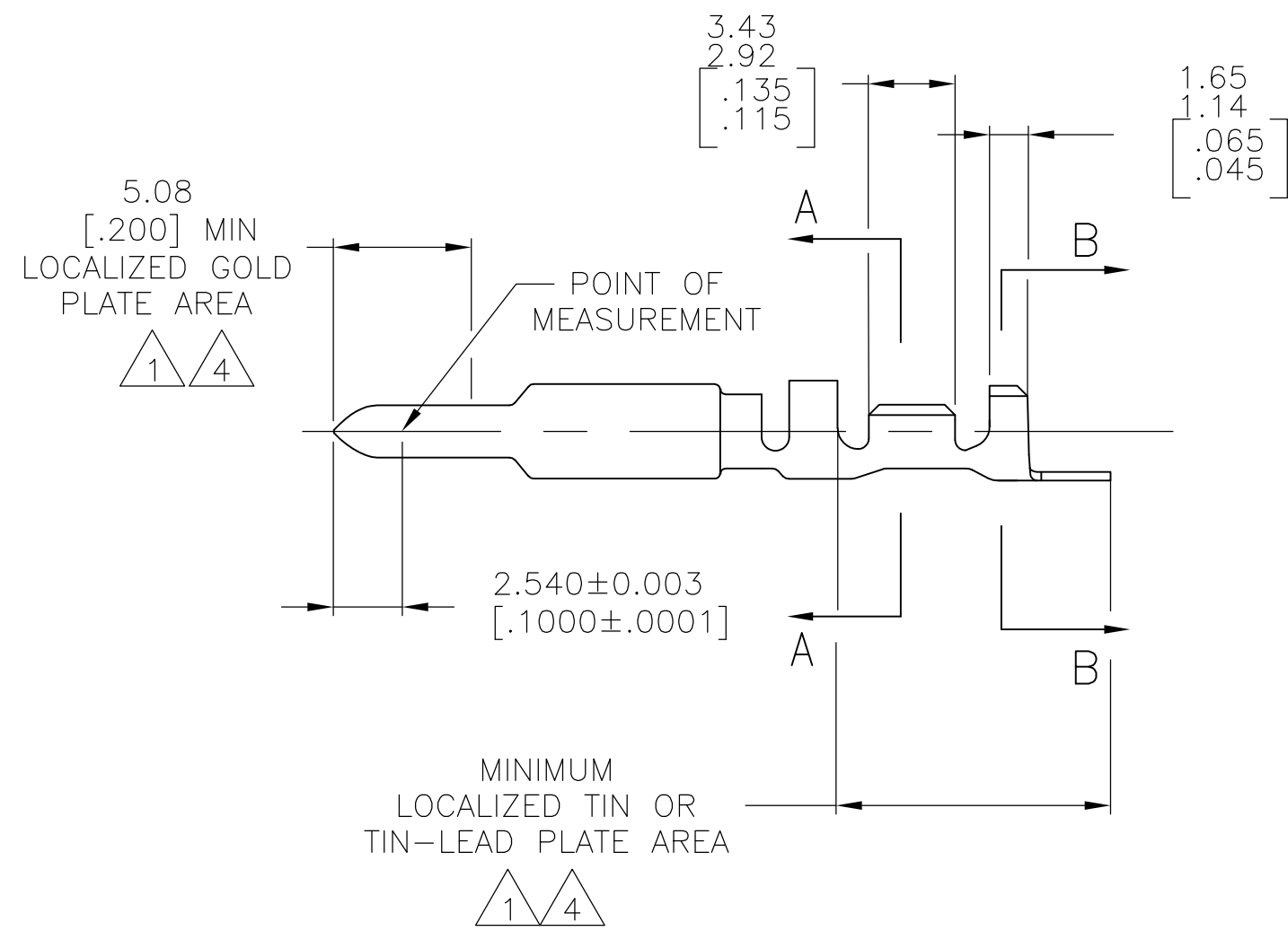


THIS DRAWING IS UNPUBLISHED. RELEASED FOR PUBLICATION
 © COPYRIGHT - By - ALL RIGHTS RESERVED.

LOC	DIST	REVISIONS					
CM	00	P	LTR	DESCRIPTION	DATE	DWN	APVD
		G		REVISED PER ECR-13-008204	11DEC2013	KH	TM

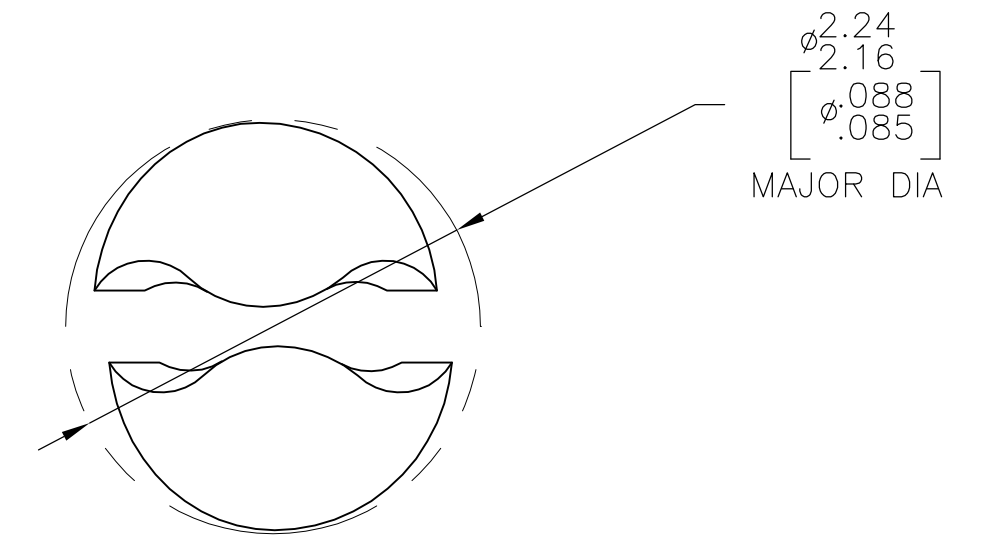


SEE DETAIL A

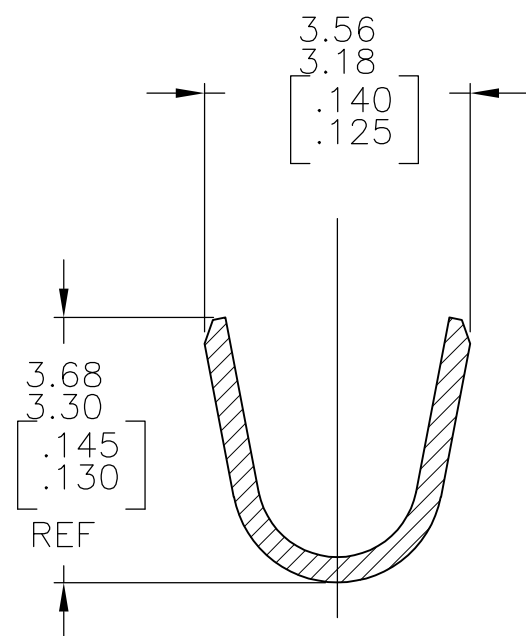


SECTION A-A
SCALE 10:1

- 1 0.00076[.000030] MIN GOLD AT POINT OF MEASUREMENT IN THE LOCALIZED GOLD PLATE AREA, 0.00127[.000050] MIN TIN-LEAD IN TIN-LEAD PLATE AREA, 0.00127[.000050] MIN NICKEL UNDERPLATE ON ENTIRE CONTACT.
- 2. WIRE RANGE: 0.2-1mm² [24-18 AWG]
INSULATION RANGE: 1.02-2.54[.040-.100] DIA.
- 3. DIMENSIONS IN BRACKETS ARE IN INCHES.
- 4 0.00076[.000030] MIN GOLD AT POINT OF MEASUREMENT IN THE LOCALIZED GOLD PLATE AREA, 0.00127[.000050] MIN TIN IN TIN PLATE AREA, 0.00127[.000050] MIN NICKEL UNDERPLATE ON ENTIRE CONTACT.
- 5 SUPERSEDED BY 1-770009-0



DETAIL A
SCALE 20:1



SECTION B-B
SCALE 10:1

5	GOLD	4	0.30 [0.012]	BRASS	1-770009-0
	GOLD	1	0.30 [0.012]	BRASS	-770009-2-
	PRE-TIN		0.30 [0.012]	BRASS	770009-1
	FINISH			MATERIAL	PART NUMBER

THIS DRAWING IS A CONTROLLED DOCUMENT.		DWN	S. CARPENTER	20MAY03	STE TE Connectivity	
DIMENSIONS: mm [INCHES]		CHK	C. JONES	20MAY03		
TOLERANCES UNLESS OTHERWISE SPECIFIED:		APVD	C. JONES	20MAY03	NAME	
0 PLC ± -		PRODUCT SPEC		PIN, UNIVERSAL MATE-N-LOK(TM) II		
1 PLC ± -		APPLICATION SPEC		SIZE	CAGE CODE	DRAWING NO
2 PLC ± -		MATERIAL		A2	00779	C=770009
3 PLC ± -		FINISH		WEIGHT	SCALE	SHEET
4 PLC ± -		SEE TABLE		-	4:1	1 of 1
ANGLES ± -		SEE TABLE		CUSTOMER DRAWING	REV	G

X-ON Electronics

Largest Supplier of Electrical and Electronic Components

Click to view similar products for [Pin & Socket Connectors](#) category:

Click to view products by [TE Connectivity](#) manufacturer:

Other Similar products are found below :

[770392-1](#) [794042-1](#) [796885-1](#) [8-794535-1](#) [R929993001](#) [R929993003](#) [1403611-1](#) [1-480349-5](#) [152302-5](#) [153211-2](#) [1586091-1](#) [1586092-1](#)
[1586129-1](#) [1586700-1](#) [1586368-1](#) [1586380-1](#) [1586616-1](#) [1586680-5](#) [16-06-0038](#) [164164-5](#) [1-6609930-1](#) [172296-1](#) [19-09-2035](#) [200503-1](#)
[2029090-4](#) [2029095-4](#) [293737-2](#) [1-765362-4](#) [1-794606-3](#) [SPB-18-32PSW](#) [200833-4](#) [2029027-2](#) [2029096-4](#) [R929991000](#) [R929991002](#)
[R929993000](#) [319-10-101-00-005000](#) [319-10-102-00-001000](#) [319-10-104-00-001000](#) [319-10-105-00-001000](#) [319-10-108-00-001000](#)
[319-10-112-00-006000](#) [39-01-8019](#) [319-10-101-00-001000](#) [319-10-102-00-005000](#) [09-18-5037](#) [09-18-5930](#) [2008149-4](#) [HVC142AKRF-E](#)
[566-002-714-120](#)