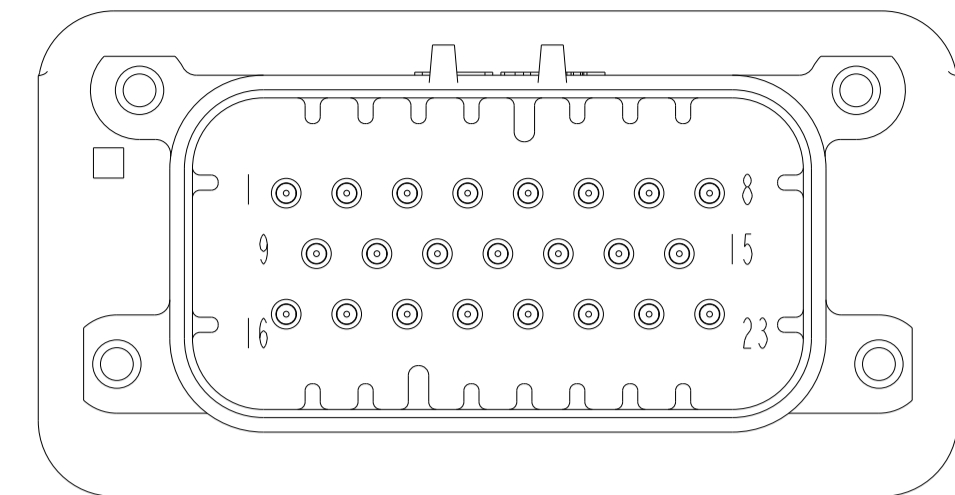
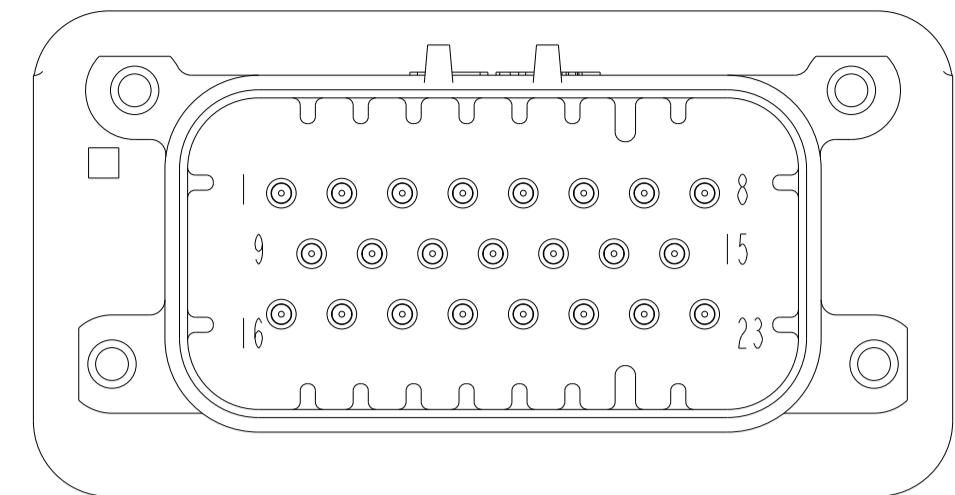


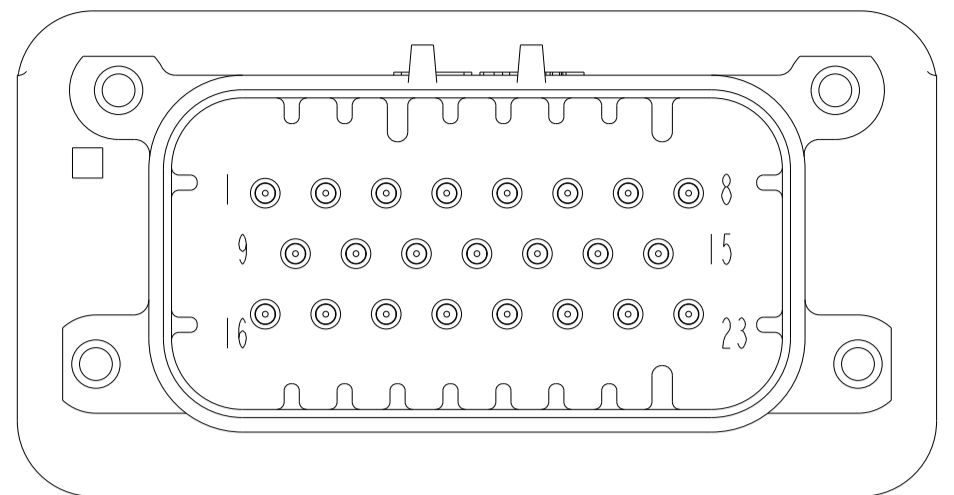
| REVISIONS |     |                             |           |       |
|-----------|-----|-----------------------------|-----------|-------|
| P         | LTN | DESCRIPTION                 | DATE      | APVD  |
| K12       |     | REVISED PER ECO-19-009419   | 20JUN2019 | DS DS |
| K13       |     | REVISED PER ECO-20-004256   | 26MAR2020 | JM DS |
| K14       |     | REVISED PER PCN E-20-016603 | 24NOV2020 | PN DS |
| L         |     | REVISED PER ECN-21-123056   | 08NOV2021 | DK CB |



770669-2 & 1-770669-2  
 KEY LOCATION  
 SCALE 2:1

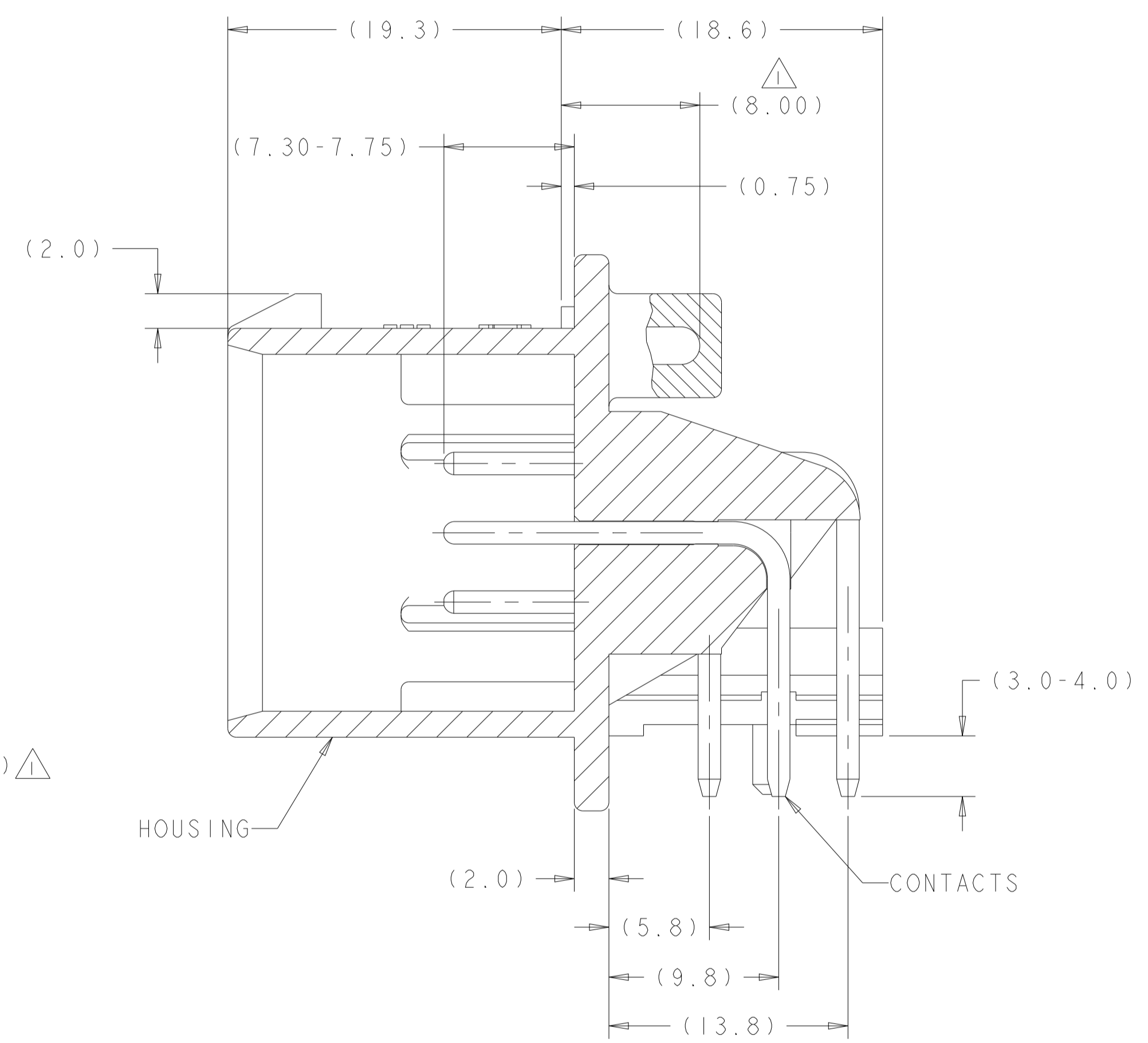
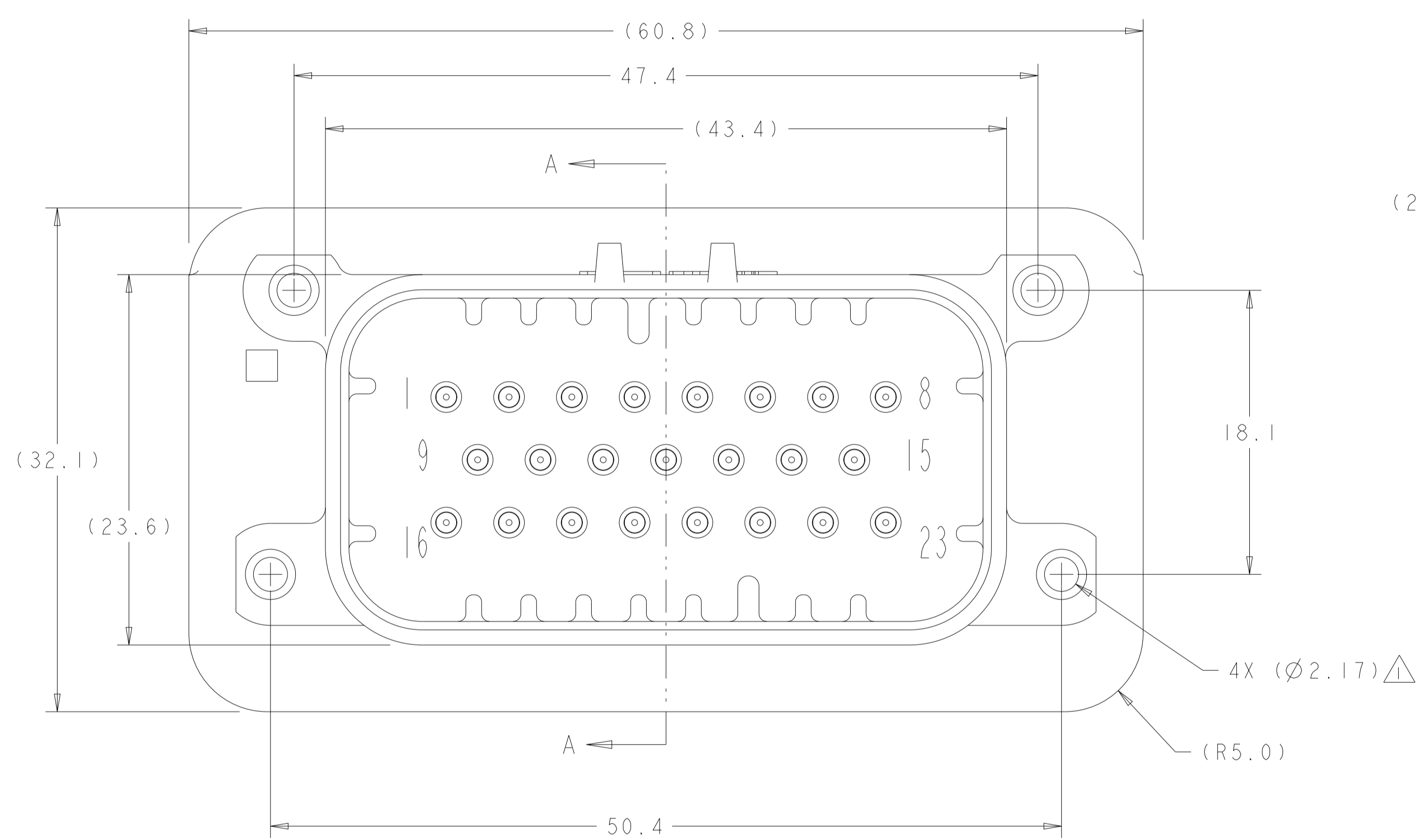


770669-4 & 1-770669-4  
 KEY LOCATION  
 SCALE 2:1



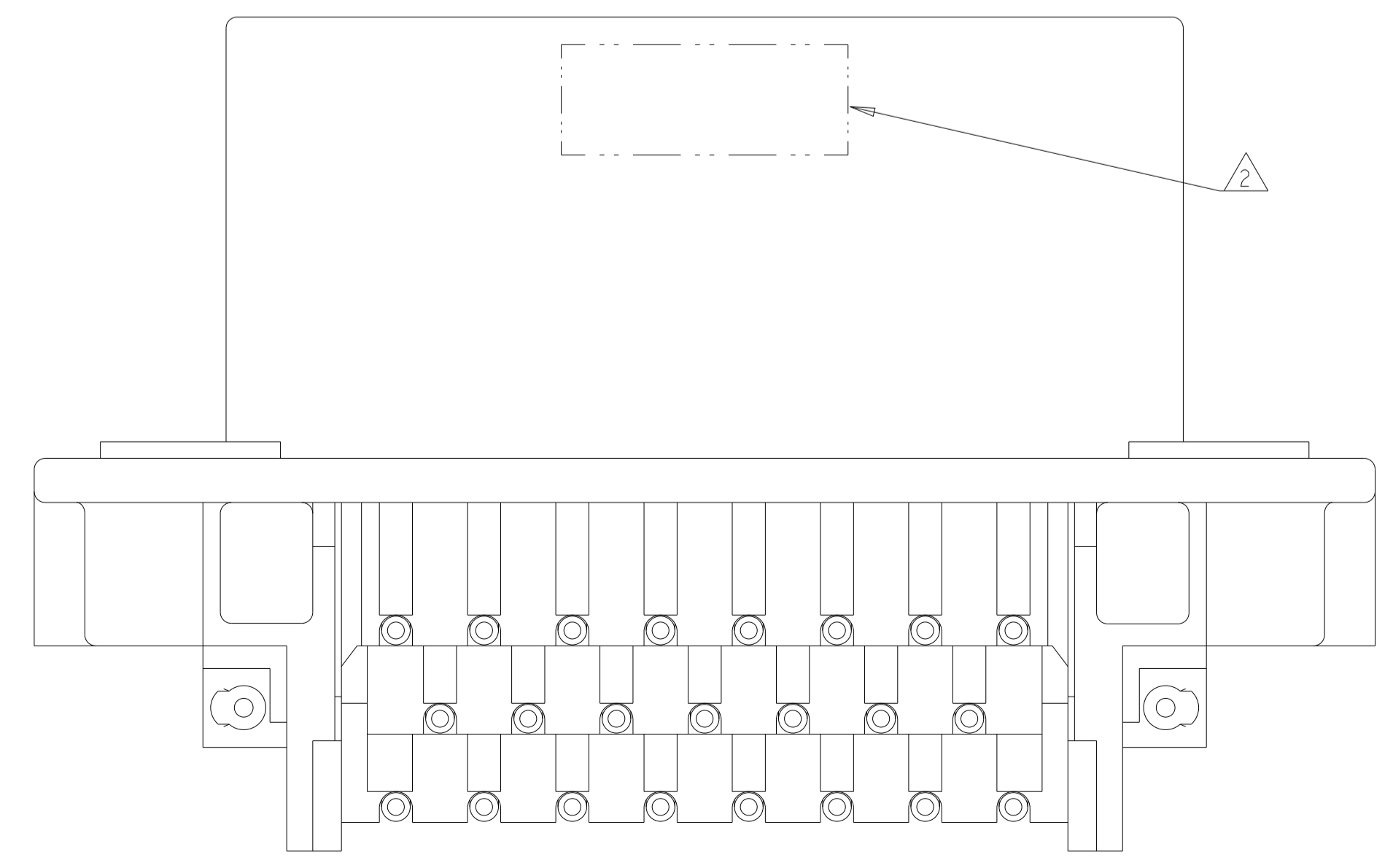
770669-5 & 1-770669-5  
 KEY LOCATION  
 SCALE 2:1

- 1. SUGGESTED MOUNTING SCREW SIZE IS  $\varnothing 2.50-3.00\text{mm}$  [ $\varnothing 0.099 - 0.118$  INCH] SELF TAPPING THREAD FORMING SCREW, SUCH AS DELTA PT, TO BE DRIVEN AT 0.6-0.8 N-m. THE CUSTOMER SHOULD TEST THE SCREW SIZE AND TYPE IN ORDER TO VERIFY THEIR SELECTION FOR THEIR APPLICATION
- 2. DATE CODE TO BE BRANDED IN THIS LOCATION PER TE SPEC 102-60. USE 5 DIGIT CODE: FIRST 2 DIGITS = YEAR, SECOND 2 DIGITS = WEEK, LAST DIGIT = DAY
- 3. HOUSING COLORS ARE MECHANICALLY KEYPED TO MATE ONLY WITH IDENTICALLY COLORED PLUG ASSEMBLIES
- 4. MATERIALS: HEADER HOUSING - GLASS FILLED PBT  
 PINS: TIN OR GOLD PLATED BRASS
- 5. HEADER MATES TO PLUG ASSEMBLY 770680 WHICH USES REELED TERMINALS 770520 OR LOOSE PIECE TERMINALS 770854



SECTION A-A

770669-1 & 1-770669-1  
 KEY LOCATION AS SHOWN



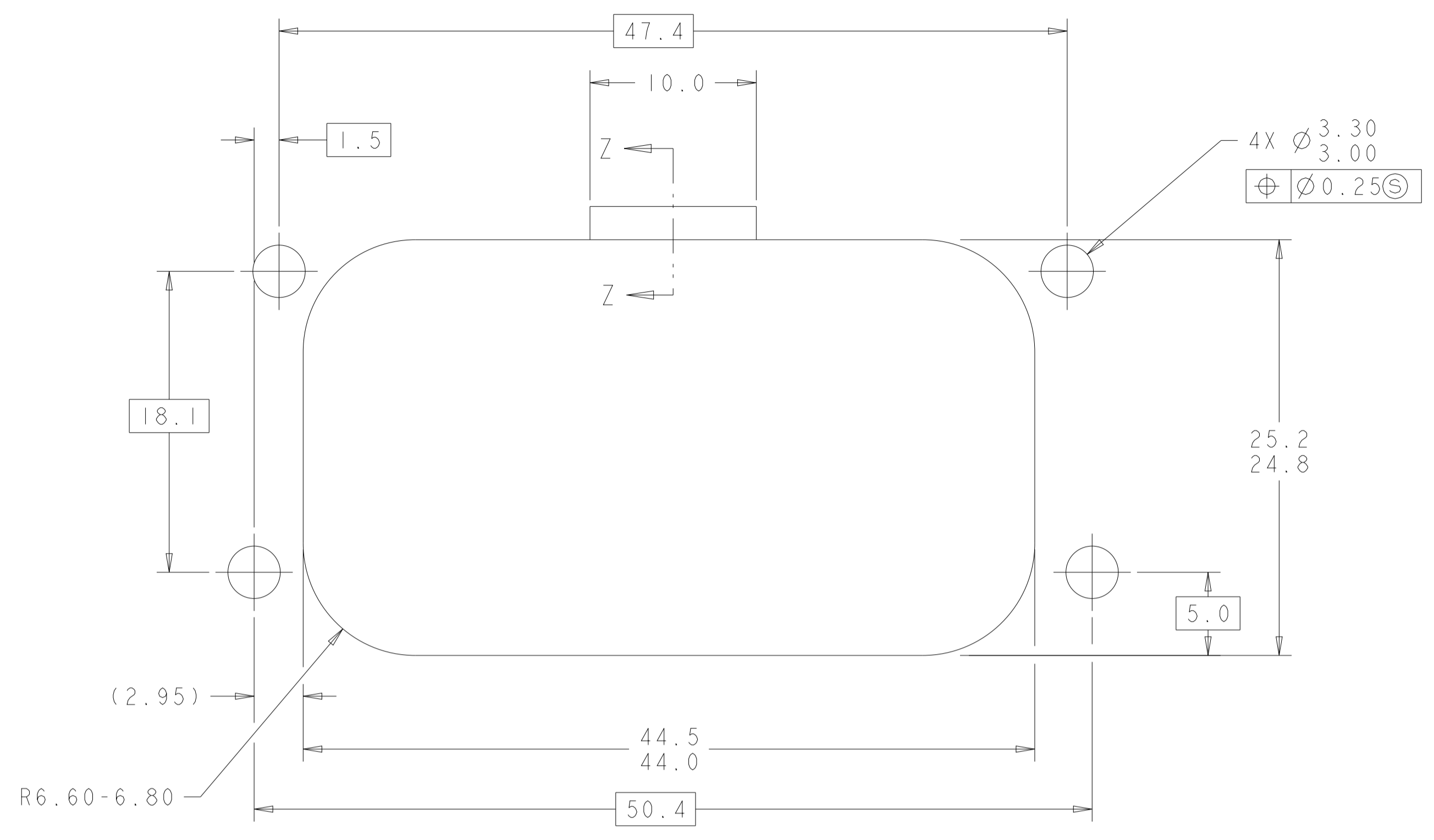
|         |                |             |
|---------|----------------|-------------|
| GOLD    | BLUE           | 1-770669-5  |
| GOLD    | GRAY           | 1-770669-4  |
| GOLD    | NATURAL        | 1-770669-2  |
| GOLD    | BLACK          | 1-770669-1  |
| TIN     | BLUE           | 770669-5    |
| TIN     | GRAY           | 770669-4    |
| TIN     | NATURAL        | 770669-2    |
| TIN     | BLACK          | 770669-1    |
| PLATING | HEADER COLOR/3 | PART NUMBER |

THIS DRAWING IS A CONTROLLED DOCUMENT.

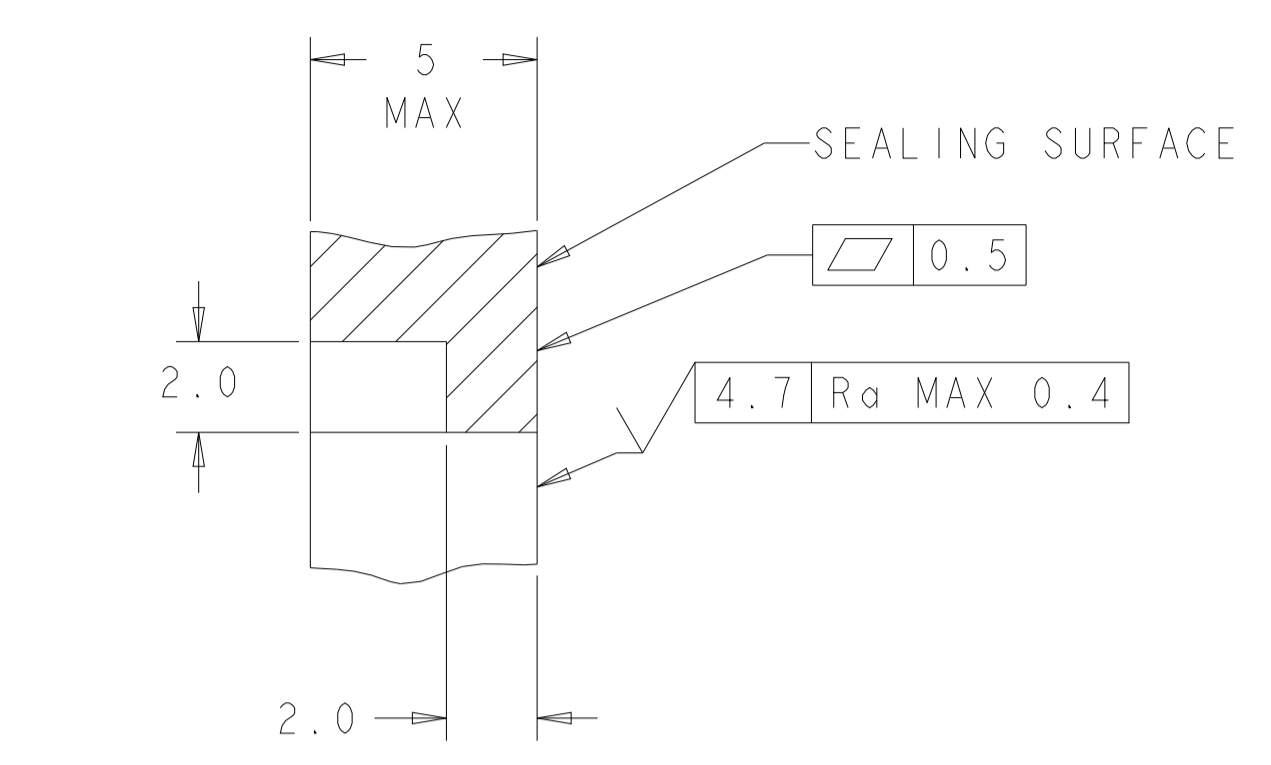
|             |  |                          |   |
|-------------|--|--------------------------|---|
| DIMENSIONS: | TOLERANCES UNLESS OTHERWISE SPECIFIED: | OWN: R. VESTAL 31DEC2002 | NAME: HEADER ASSEMBLY, 23 POSITION, RIGHT ANGLE AMPSEAL |
| mm          | 0 PLC ±0.2                             | CHK: D. CROWE 31DEC2002  | SIZE: 108-1329  |
|             | 1 PLC ±0.2                             | APVD: D. CROWE 31DEC2002 | APPLICATION SPEC  |
|             | 2 PLC ±0.2                             |                          | 114-16016   |
|             | 3 PLC ±0.2                             |                          | WEIGHT: 28.74g  |
|             | 4 PLC ±0.2                             |                          | CUSTOMER DRAWING  |
|             | ANGLES ±0.5                            |                          | SCALE: 2:1  |
|             | FINISH                                 |                          | SHEET 1 OF 2  |

4805 (3/13)

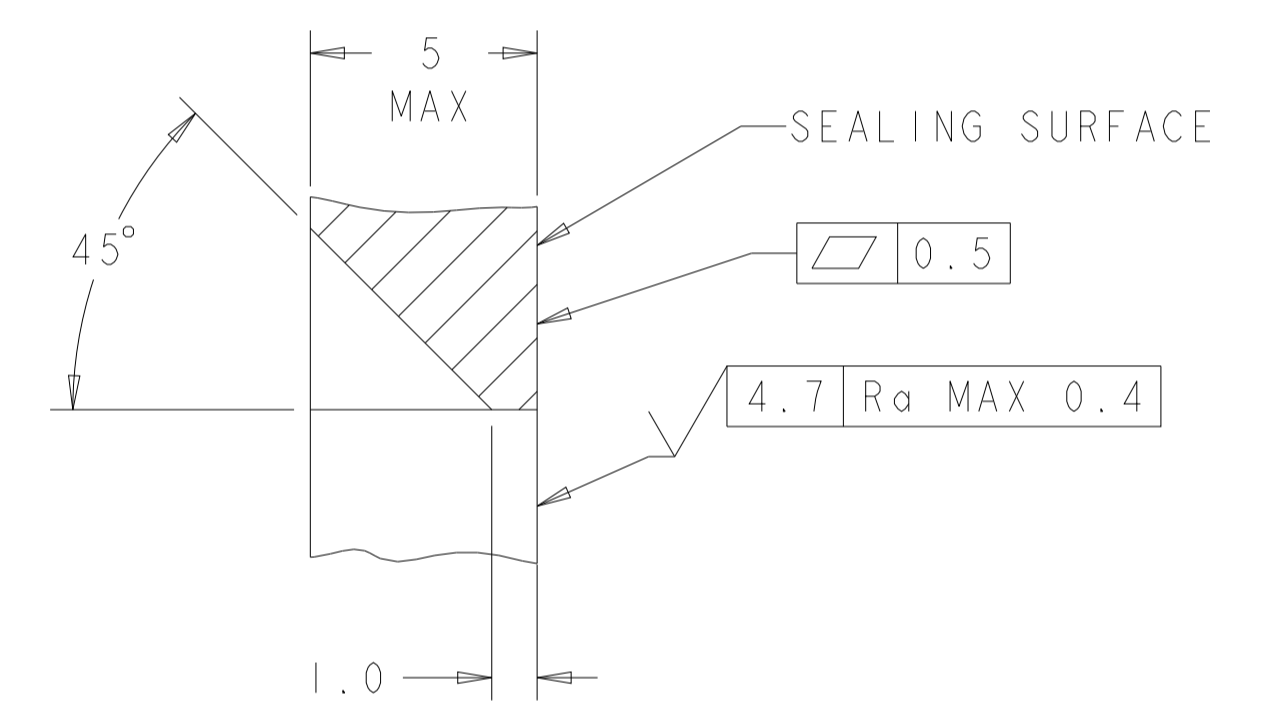
| REVISIONS |     |             |      |      |
|-----------|-----|-------------|------|------|
| P         | LTN | DESCRIPTION | DATE | APVD |
| -         | -   | SEE SHEET 1 | -    | -    |
|           |     |             |      |      |
|           |     |             |      |      |



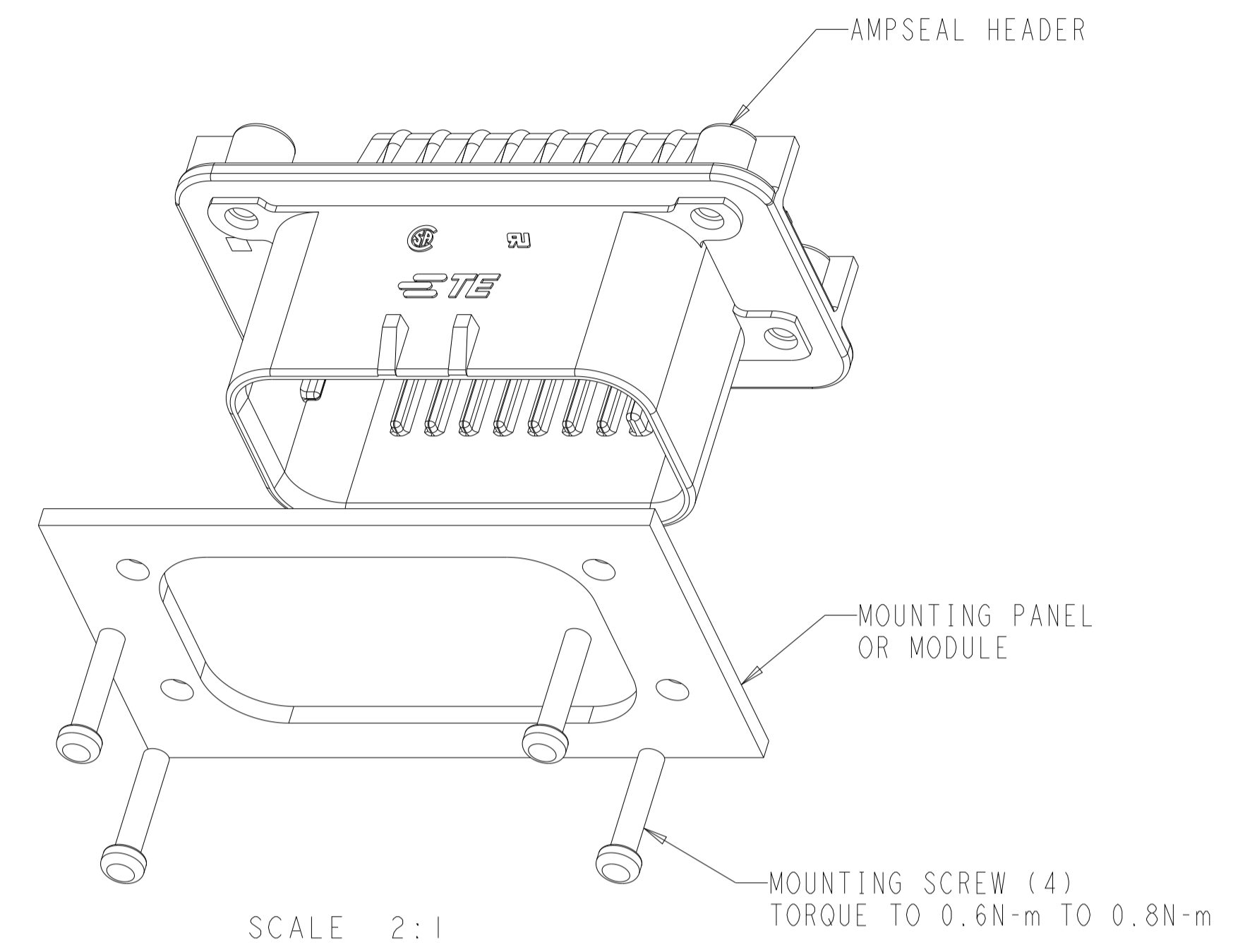
RECOMMENDED MOUNTING HOLE LAYOUT FOR 5.0 MAX THICK PANEL



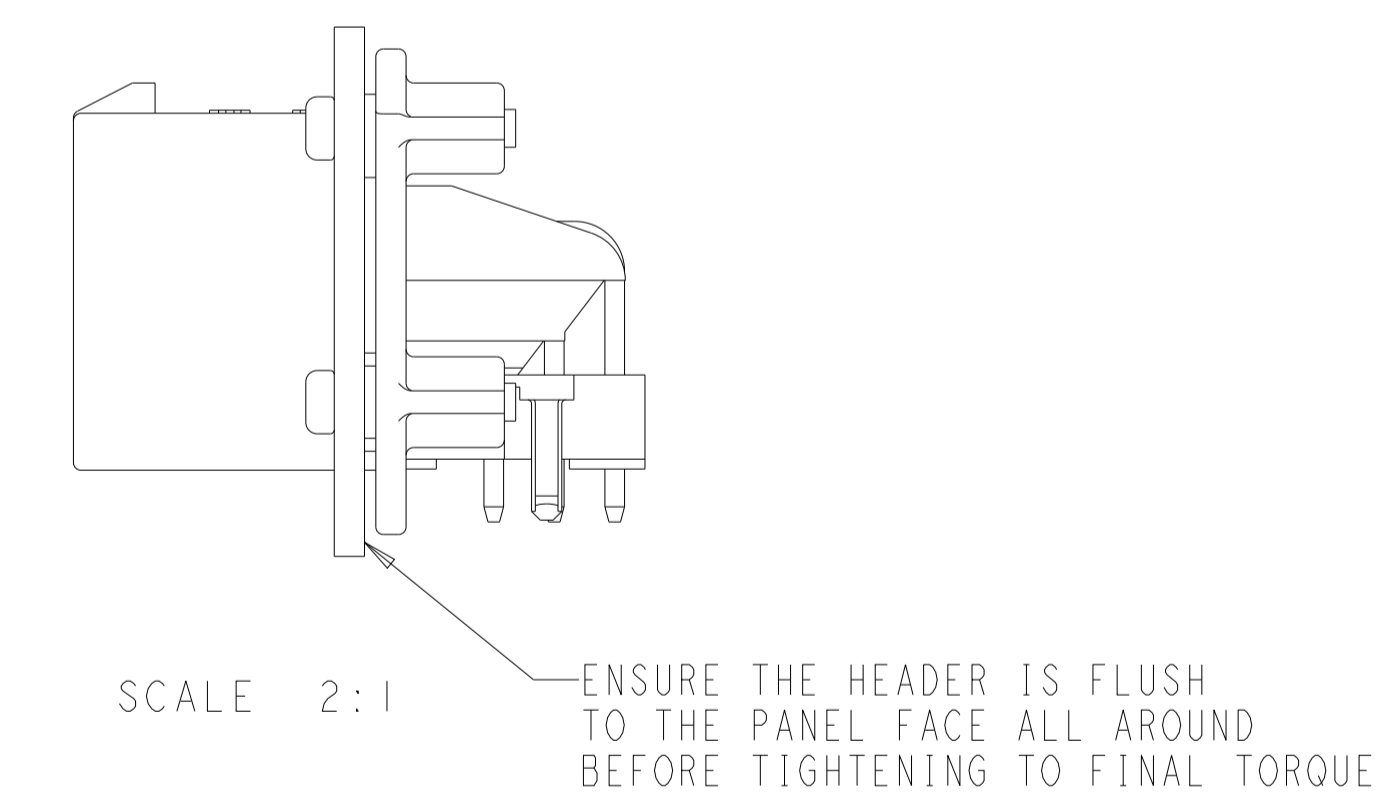
SECTION Z-Z  
 OPTIONAL CONSTRUCTION IF THICKNESS IS GREATER THAN 2.0  
 SCALE 6:1



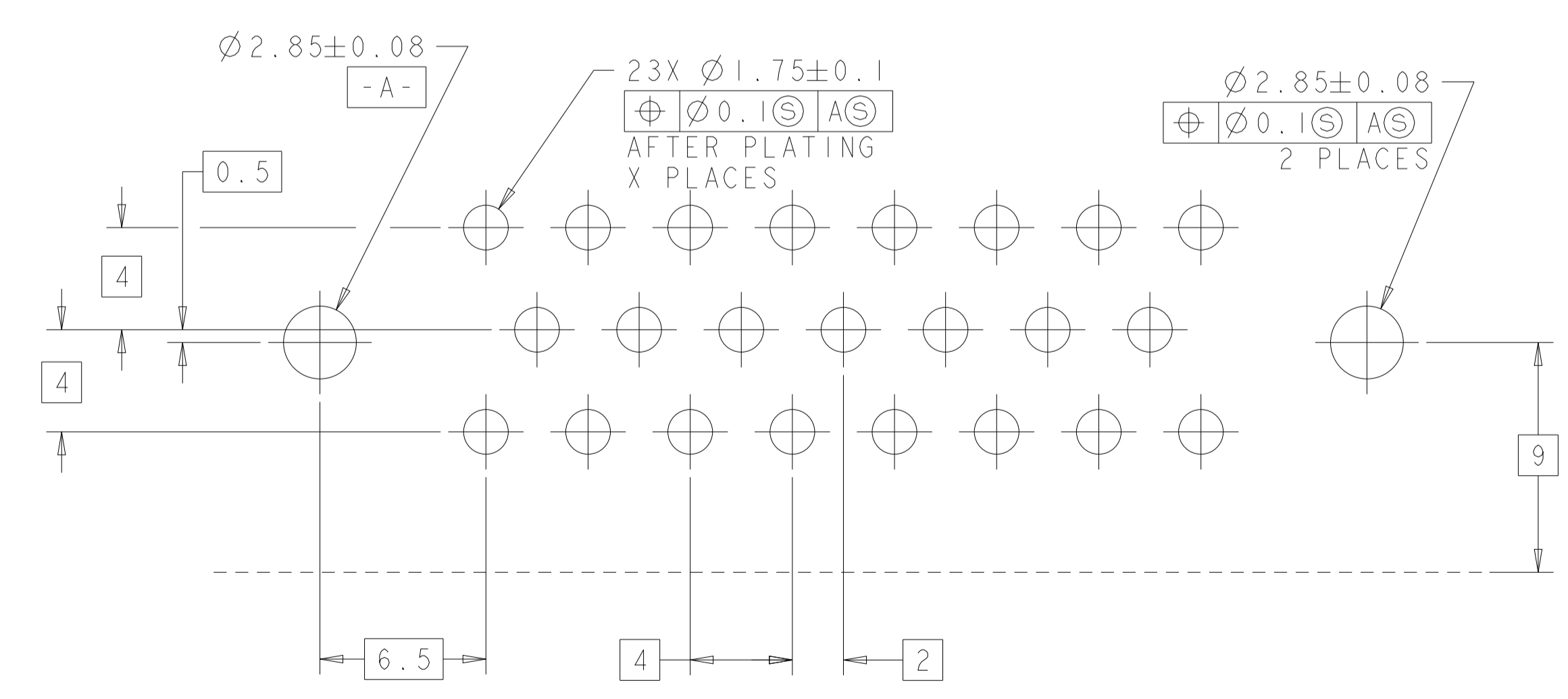
SECTION Z-Z  
 OPTIONAL CONSTRUCTION IF THICKNESS IS GREATER THAN 2.0  
 SCALE 6:1



SCALE 2:1



SCALE 2:1



RECOMMENDED P.C. BOARD LAYOUT FOR 1.57 THICK P.C. BOARD

|  |      |                          |   |
|--|------|--------------------------|---|
| THIS DRAWING IS A CONTROLLED DOCUMENT. |      | OWN: R. VESTAL 31DEC2002 | TE Connectivity   |
| DIMENSIONS: mm                         |      | CHK: D. CROWE 31DEC2002  |   |
| TOLERANCES UNLESS OTHERWISE SPECIFIED: |      | APVD: D. CROWE 31DEC2002 | NAME: HEADER ASSEMBLY, 23 POSITION, RIGHT ANGLE AMPSEAL |
| 0 PLC                                  | ±    | PRODUCT SPEC             | SIZE: 108-1329  |
| 1 PLC                                  | ±0.2 | APPLICATION SPEC         | CAGE CODE: 114-16016                                    |
| 2 PLC                                  | ±    | FINISH                   | WEIGHT: 28.74g  |
| 3 PLC                                  | ±    |                          | CUSTOMER DRAWING  |
| 4 PLC                                  | ±    |                          | SCALE: 2:1  |
| ANGLES                                 | ±    |                          | SHEET: 2 OF 2   |
|  |      |                          | REV: L  |

## X-ON Electronics

Largest Supplier of Electrical and Electronic Components

*Click to view similar products for [Automotive Connectors](#) category:*

*Click to view products by [TE Connectivity](#) manufacturer:*

Other Similar products are found below :

[003-018-000](#) [60403001](#) [60993906-B](#) [M902-2131](#) [M902-2161](#) [M902-2344](#) [72.330.1035.1](#) [73.353.4028.0](#) [F119300-B](#) [F166900](#) [F258300-B](#)  
[F358300-B](#) [F407400](#) [F444110](#) [F487000](#) [F509500B-B](#) [827153-1](#) [8N1515-32-24P](#) [9-1326729-8](#) [925474-1](#) [928905-1](#) [964562-4](#) [968782-1](#)  
[GT17SA-8DS-HU](#) [98891-1012](#) [98947-1016](#) [12004147](#) [12004475-L](#) [12010290](#) [12010309-B](#) [12015454](#) [12020219-B](#) [12041318-B](#) [12052225-](#)  
[L](#) [12052466](#) [12064869](#) [12004327-B](#) [12015308](#) [12015384](#) [12015909](#) [1-21030-1](#) [12041254](#) [12041318](#) [12047946-B](#) [12047957](#) [12047957-L](#)  
[12059473](#) [12066261](#) [12110546](#) [12110546-B](#)