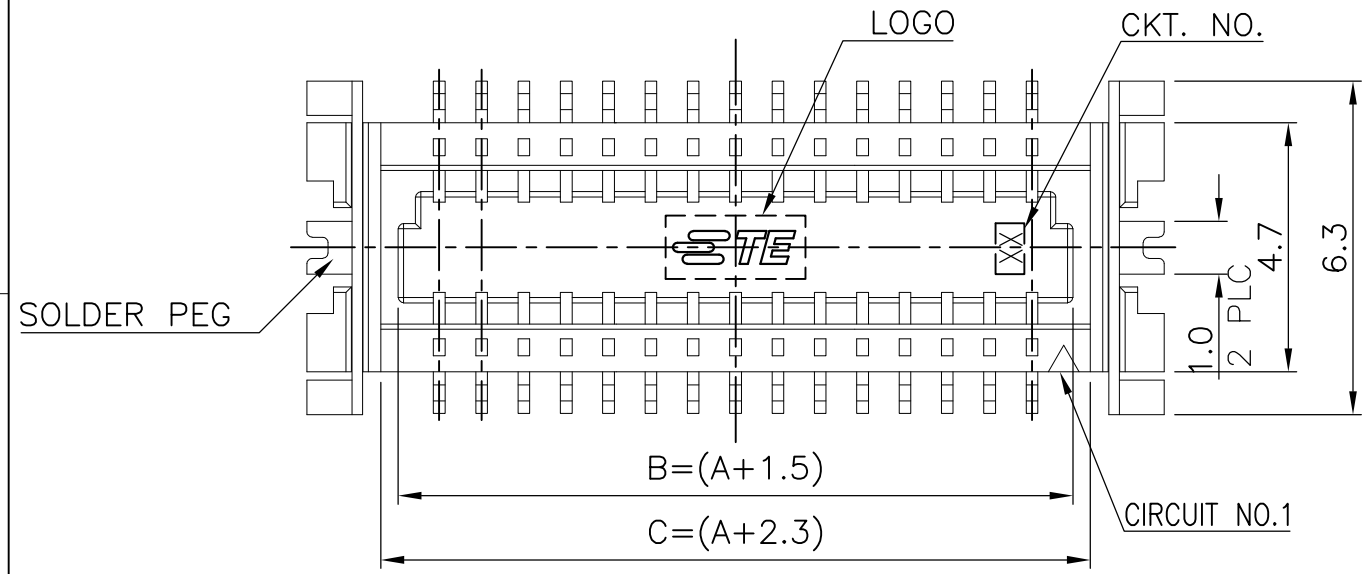


THIS DRAWING IS UNPUBLISHED. RELEASED FOR PUBLICATION
 © COPYRIGHT - By - ALL RIGHTS RESERVED.

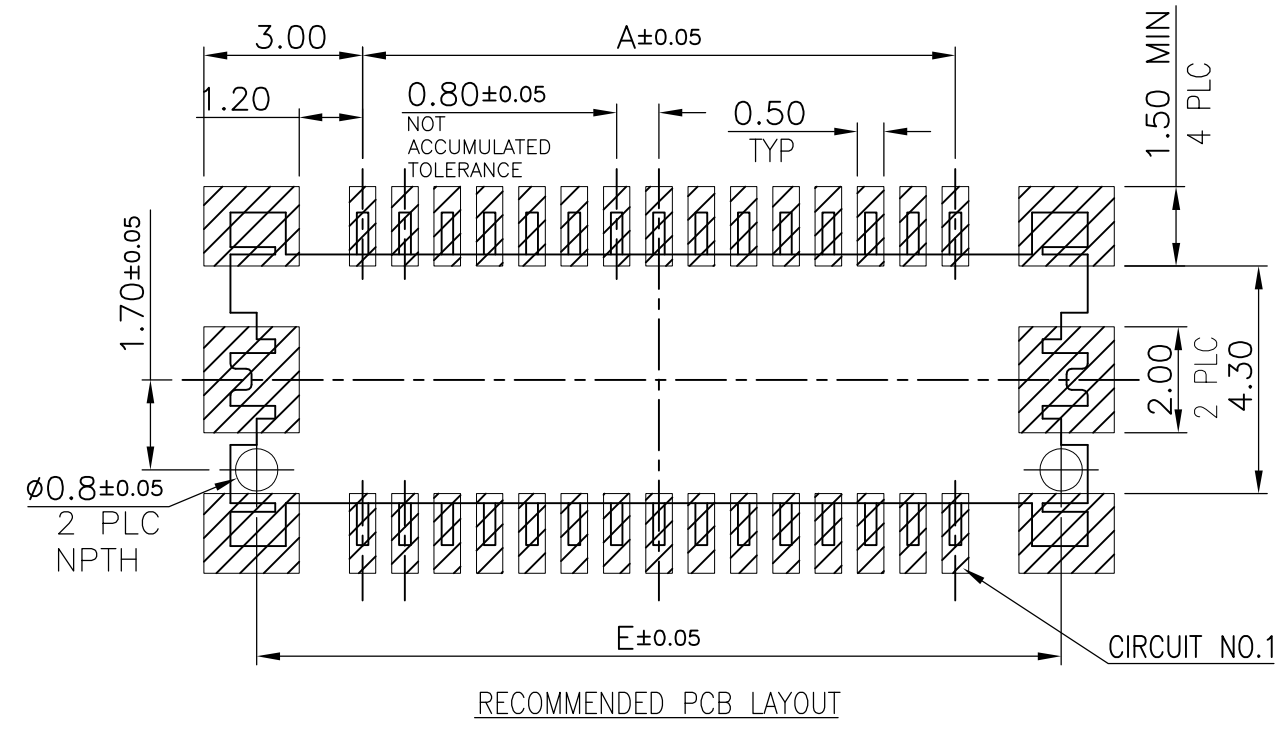
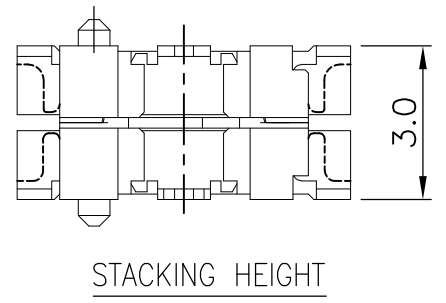
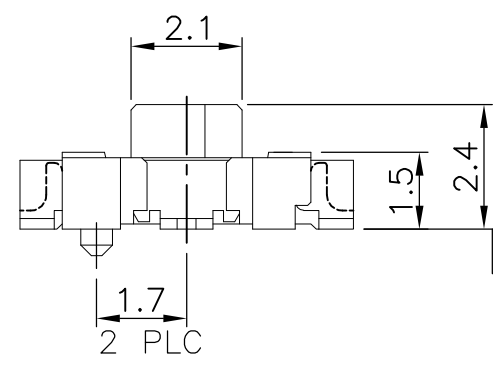
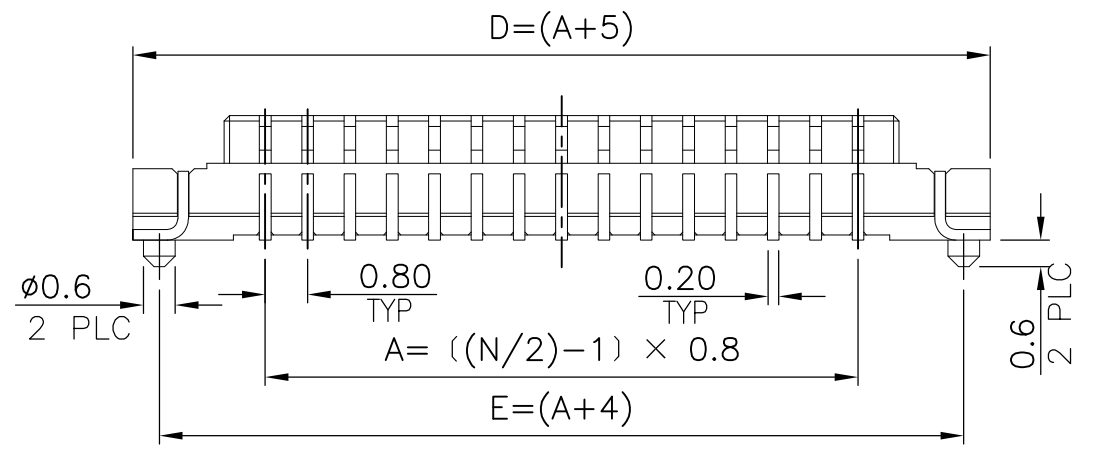
REVISIONS				
P	LTR	DESCRIPTION	DATE	APVD
	H	ECR-16-006855	18MAY2016	WL SY



- NOTES:
- MATERIAL:
 - HOUSING: PA6T, UL94V-0; COLOR: NATURAL.
 - CONTACTS: PHOSPHOR BRONZE.
 - PEGS: BRASS.
 - FINISH:

CONTACTS:
 GOLD FLASH ON ENTIRE CONTACT.
 (WITH ENTIRE CONTACT UNDERPLATED 50μ" MIN. NICKEL.)

PEGS: 100μ" MIN. MATTE-TIN OVER 50μ" MIN. NICKEL UNDERPLATED.
 - PART NUMBER OF MATING PLUG:
 MATING HEIGHT :
 3MM : X-1775014-X
 5MM : X-1775015-X
 5.5MM : X-1775149-X
 - REFLOW SOLDER CAPABLE TO 260°C PER TEC-109-201, CONDITION B.
 - SUBSTANCE RESTRICTIONS FOR LOW HALOGEN (BY WEIGHT):
 BROMINE (Br) ≤ 900 PPM (0.09%)
 CHLORINE (Cl) ≤ 900 PPM (0.09%)
 TOTAL CONCENTRATION OF (Cl) + (Br) ≤ 1500 PPM (0.15%)



12.8	13.8	11.1	10.3	8.8	24	1775013-2
E	D	C	B	A	NO. OF CONTACTS	PART NUMBER
DIMENSIONS						

THIS DRAWING IS A CONTROLLED DOCUMENT.		DWN A. WU 19JUL2004	TE Connectivity BOARD-TO-BOARD CONNECTOR, 0.8mm PITCH, FINE-STACK RECEPTACLE			
DIMENSIONS: mm		CHK S. HOU 19JUL2004				
TOLERANCES UNLESS OTHERWISE SPECIFIED:		APVD T. KE 19JUL2004	NAME			
0 PLC ± -		PRODUCT SPEC		108-57488		
1 PLC ± 0.3		APPLICATION SPEC		-		
2 PLC ± 0.2		SIZE		A3		
3 PLC ± 0.15		CAGE CODE		00779		
4 PLC ± -		DRAWING NO		C-1775013		
ANGLES ± 2'		WEIGHT		0		
FINISH		RESTRICTED TO		-		
MATERIAL		CUSTOMER DRAWING		SCALE 7:1		
		SHEET 1 OF 2		REV H		

THIS DRAWING IS UNPUBLISHED.

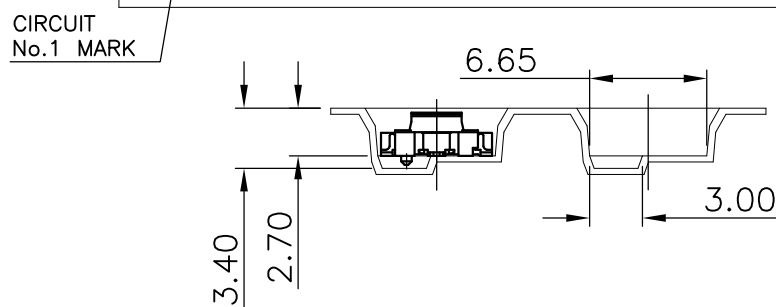
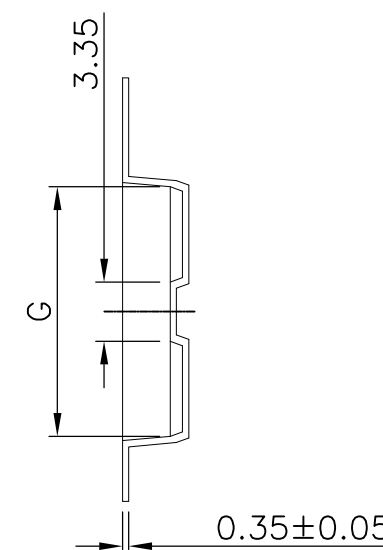
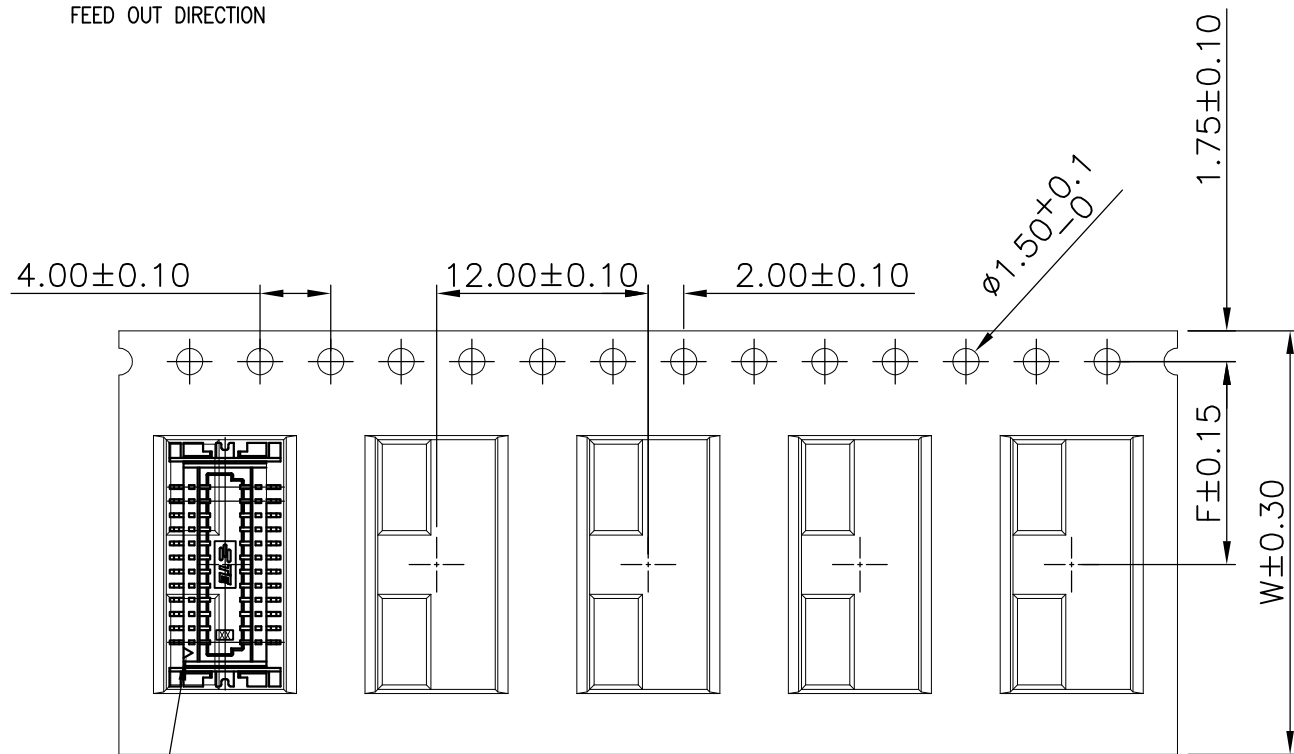
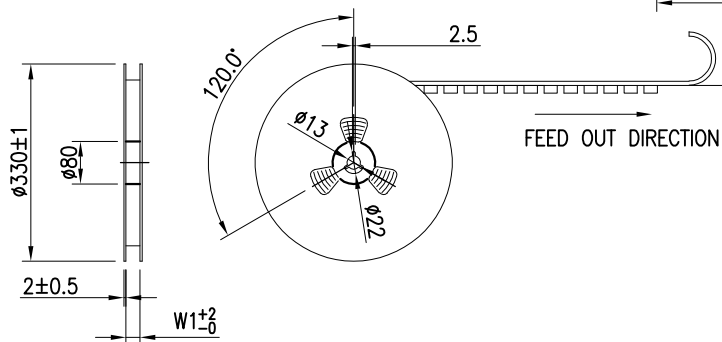
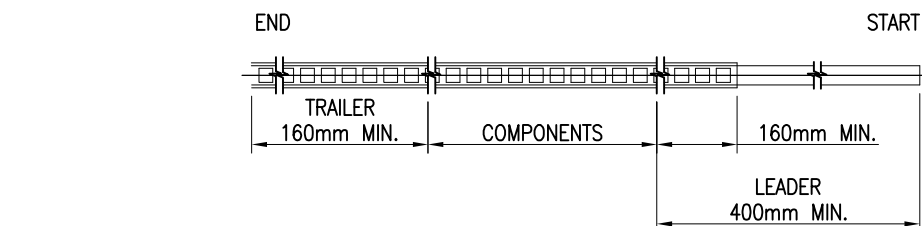
RELEASED FOR PUBLICATION

REVISIONS

© COPYRIGHT - By -

ALL RIGHTS RESERVED.

P	LTR	DESCRIPTION	DATE	DWN	APVD
-	-	SEE SHEET 1	-	-	-



NOTES:

1. MATERIAL:

BOX: FIBREBOARD, CORRUGATED, DOUBLE WALL.
 COVER TAPE: PET, TRANSPARENT COLOR.
 CARRIER TAPE: POLYSTYRENES, BLACK COLOR.
 REEL: PAPER, BROWN COLOR.
 BAG: POLYETHYLENES, TRANSPARENT COLOR.

2. EACH BAG SHALL BE INCLUDED DESICCANT.

3. PEELING STRENGTH: 0.1~1.3 N (10~130 GRAMS).

4. PEELING SPEED: 300 mm/min.

1500	24.40	24.00	14.15	11.50	24
PCS / TAPE	W1	W	G	F	NO. OF CONTACTS
DIMENSIONS					

THIS DRAWING IS A CONTROLLED DOCUMENT.		DWN A. WU 19JUL2004	TE Connectivity BOARD-TO-BOARD CONNECTOR, 0.8mm PITCH, FINE-STACK RECEPTACLE											
DIMENSIONS: mm		CHK S. HOU 19JUL2004												
TOLERANCES UNLESS OTHERWISE SPECIFIED:		APVD T. KE 19JUL2004												
<table border="0"> <tr> <td>0 PLC</td><td>± -</td></tr> <tr> <td>1 PLC</td><td>± 0.3</td></tr> <tr> <td>2 PLC</td><td>± 0.2</td></tr> <tr> <td>3 PLC</td><td>± 0.15</td></tr> <tr> <td>4 PLC</td><td>± -</td></tr> <tr> <td>ANGLES</td><td>± 2'</td></tr> </table>		0 PLC				± -	1 PLC	± 0.3	2 PLC	± 0.2	3 PLC	± 0.15	4 PLC	± -
0 PLC	± -													
1 PLC	± 0.3													
2 PLC	± 0.2													
3 PLC	± 0.15													
4 PLC	± -													
ANGLES	± 2'													
MATERIAL		FINISH	NAME	SIZE	CAGE CODE	DRAWING NO	RESTRICTED TO							
-		-	108-57488	-	A300779	C-1775013	-							
CUSTOMER DRAWING			WEIGHT	SCALE	SHEET	REV								
-			0	7:1	2 OF 2	H								

X-ON Electronics

Largest Supplier of Electrical and Electronic Components

Click to view similar products for [Board to Board & Mezzanine Connectors](#) category:

Click to view products by [TE Connectivity](#) manufacturer:

Other Similar products are found below :

[10135583-642402LF](#) [89885-310LF](#) [589158040000018](#) [6-1393048-0](#) [68683-613](#) [MDF7-12DP-2.54DSA](#) [MDF7-18P-2.54DSA\(01\)](#) [MDF7-20DP-2.54DSA](#) [MDF7-26D-2.54DSA\(55\)](#) [MDF7-3P-2.54DSA\(01\)](#) [MDF7B-3P-2.54DSA\(55\)](#) [MDF7C-11P-2.54DSA\(55\)](#) [MDF7C-18P-2.54DSA\(55\)](#) [MDF7C-5P-2.54DSA\(01\)](#) [MDF7P-5P-2.54DSA\(55\)](#) [75234-0516](#) [FCN-230C068-11](#) [FCN-268F012-G/BD](#) [FCN-268F036-G/BD](#) [FCN-268M012-G/0D](#) [FCN-268M024-G/1D](#) [FCN-360C008-C](#) [FCN-360C040-C](#) [FCN-723J004/1](#) [MIS-048-01-F-D-DP-K](#) [832-10-034-10-001000](#) [93696-325LF](#) [11828-1FA](#) [AXK630345P](#) [18097-0013](#) [ICA-328STT](#) [2007042-2](#) [304400-2](#) [FCN-214Q030-G/0](#) [FCN-215Q040-G/0](#) [FCN-230C068-ESA](#) [FCN-234P048-G/0](#) [FCN-235D050-G/C](#) [FCN-360A3](#) [FCN-360C040-B](#) [210-93-314-41-105000](#) [2-22603-0](#) [379-064-521-202](#) [MDF7-12P-2.54DSA\(01\)](#) [MDF7-16P-2.54DS\(56\)](#) [MDF7-40DP-2.54DSA\(55\)](#) [MDF7-8P-2.54DSA\(55\)](#) [MDF7B-16P-2.54DSA\(55\)](#) [AXG720047](#) [5031084030](#)