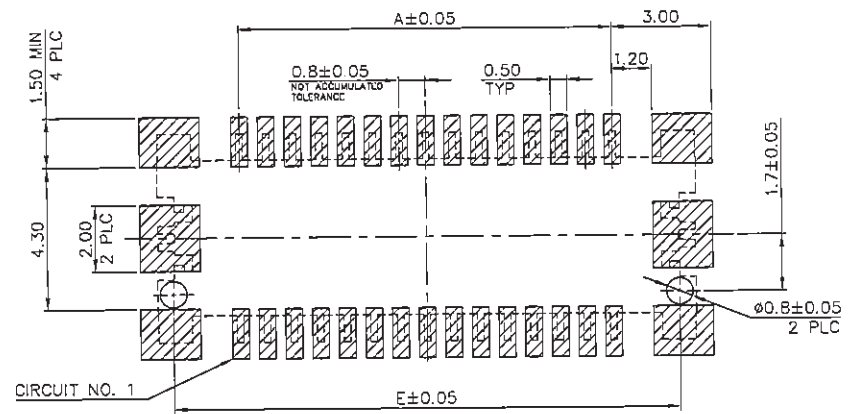
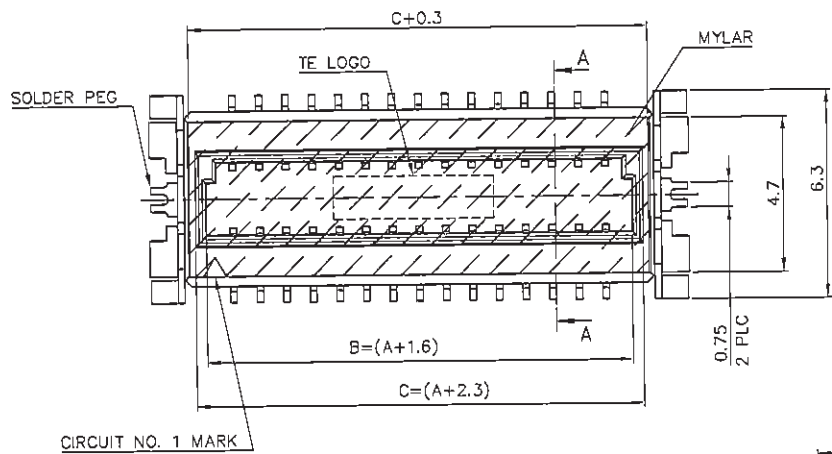


THIS DRAWING IS UNPUBLISHED. RELEASED FOR PUBLICATION. ALL RIGHTS RESERVED.

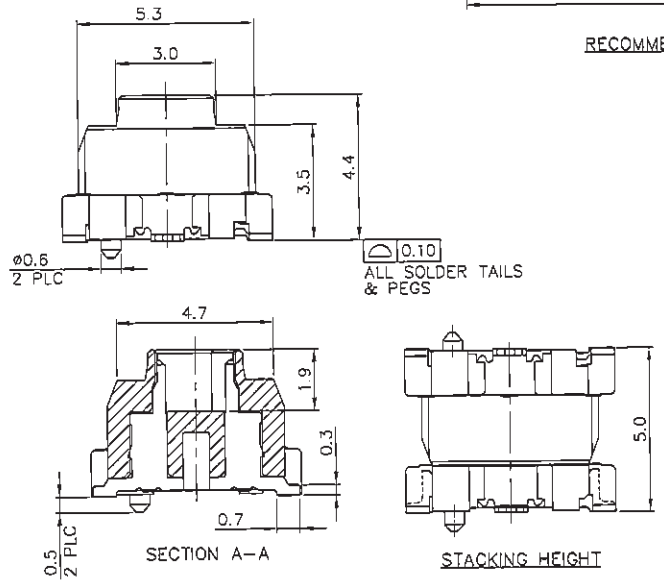
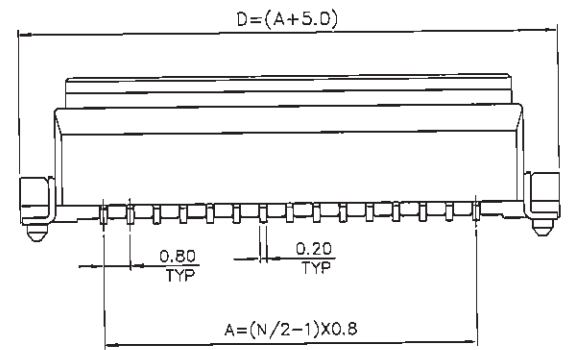
© COPYRIGHT 2013 BY TE CONNECTIVITY.

LOC	DIST	REVISIONS			DATE	DWN	APVD
P	LYR	DESCRIPTION					
DW	-	E	ECR-15-001514	10OCT15	I.T	W.H	

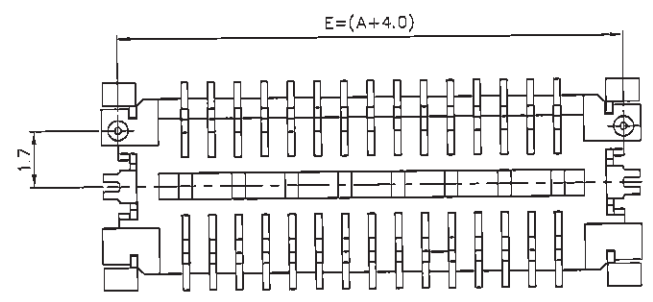


RECOMMENDED PCB LAYOUT

- NOTES:
- MATERIAL:  
HOUSING: PA6T, UL94 V-0, NATURAL COLOR.  
CONTACTS: PHOSPHOR BRONZE.  
PEGS: BRASS.
  - FINISH:  
CONTACTS: (SEE TABLE)  
PLATING A: 100µ" MIN. MATTE-TIN ON ENTIRE CONTACT.  
PLATING B: GOLD FLASH.  
(WITH ENTIRE CONTACT UNDERPLATED 50µ" MIN. NICKEL)  
PEGS: 100µ" MIN. TIN OR MATTE-TIN OVER 50µ" MIN. NICKEL.
  - PART NUMBER OF MATING RECEPTACLE: X-1775013-X
  - REFLOW SOLDER CAPABLE TO 260°C AS PER TEC-109-201, CONDITION B.



CONTACT PLATING	DIMENSIONS					NO. OF CONTACTS	PART NUMBER
	E	D	C	B	A		
A	15.2	16.2	13.5	8.8	11.2	30	3-1775015-0
	11.2	12.2	9.5	12.8	7.2	20	2-1775015-0
	8	9	6.3	5.6	4.0	12	1-1775015-2
B	11.2	12.2	9.5	8.8	7.2	20	1775015-3
	15.2	16.2	13.5	12.8	11.2	30	1775015-3
	8	9	6.3	5.6	4.0	12	1775015-1



5. SUBSTANCE RESTRICTIONS FOR LOW HALOGEN (BY WEIGHT):  
BROMINE (Br) ≤ 900 PPM (0.09%)  
CHLORINE (Cl) ≤ 900 PPM (0.09%)  
TOTAL CONCENTRATION OF (Cl) + (Br) ≤ 1500 PPM (0.15%)

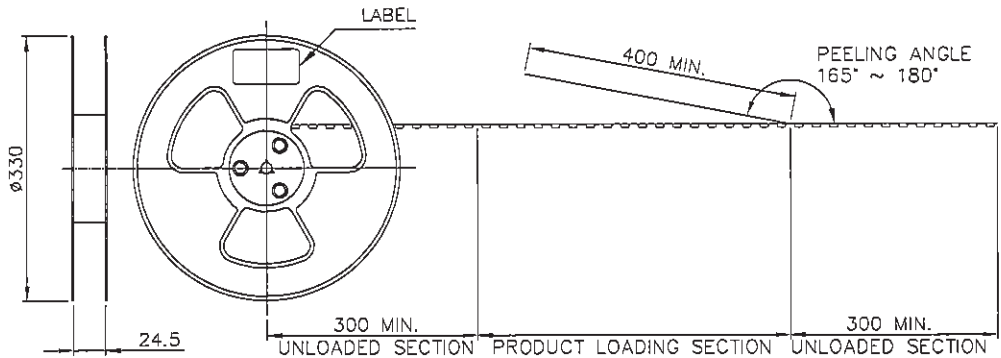
THIS DRAWING IS A CONTROLLED DOCUMENT.

DIMENSIONS: MM	TOLERANCES UNLESS OTHERWISE SPECIFIED:	DWN A. WU 11JUN2007	11JUN2007
MATERIAL SEE NOTE	FINISH SEE NOTE	CHK S. HQV 11JUN2007	APVD W.J. KE 11JUN2007
		NAME W.J. KE	
APPLICATION SPEC 108-57488		PRODUCT SPEC	
CUSTOMER DRAWING		BOARD TO BOARD CONNECTOR, 0.8mm PITCH, FINE-STACK, 5H, PLUG	
WEIGHT SEE TABLE	SIZE A3	DRAWING NO. 00779	RESTRICTED TO -
SCALE -		SHEET 1 of 2	
REV E		PART NUMBER C-1775015	

TE Connectivity

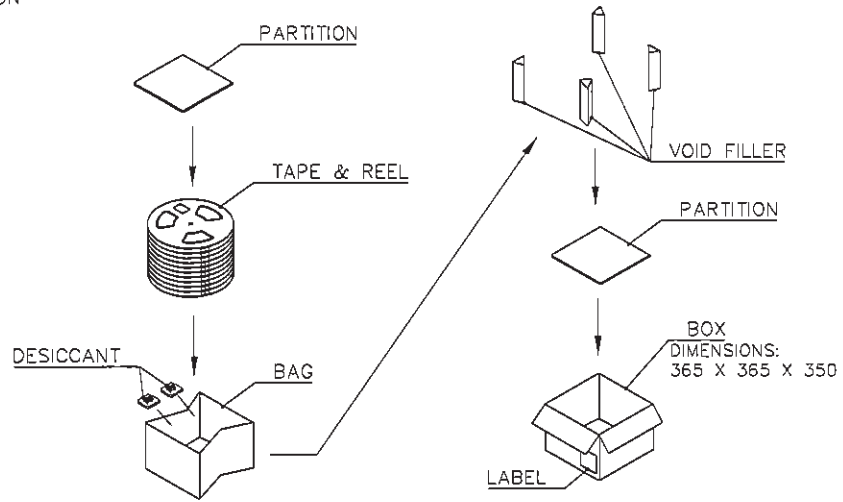
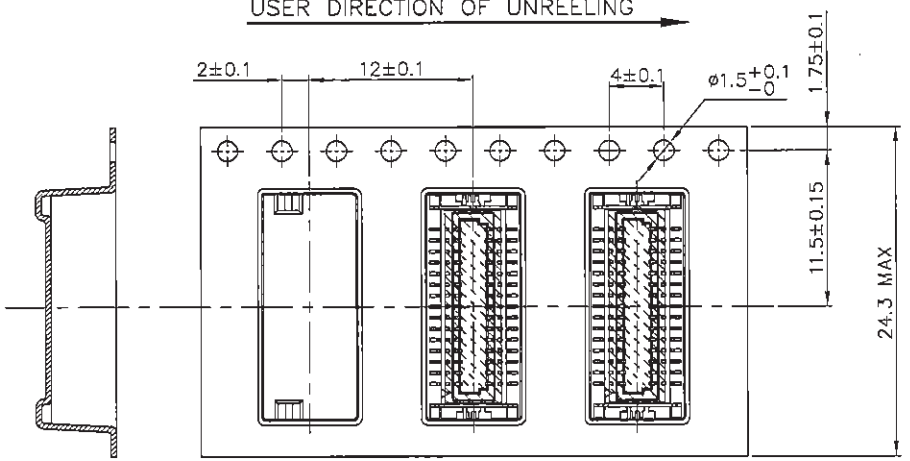
THIS DRAWING IS UNPUBLISHED. RELEASED FOR PUBLICATION  
 © COPYRIGHT 2015 BY TE CONNECTIVITY. ALL RIGHTS RESERVED.

Loc	DW	DIST	-	REVISIONS		
P	LYR	DESCRIPTION	DATE	DWN	APVD	
		SEE SHEET 1				



- NOTES:
- MATERIAL:  
 BOX: FIBREBOARD, CORRUGATED, DOUBLE WALL.  
 COVER TAPE: PET, TRANSPARENT COLOR.  
 CARRIER TAPE: POLYSTYRENES, TRANSPARENT COLOR.  
 REEL: HIPS, BLUE COLOR.  
 BAG: POLYETHYLENES, TRANSPARENT COLOR.
  - EACH BAG SHALL BE INCLUDED DESICCANT.
  - PEELING STRENGTH: 0.1 ~ 1.3 N (10 ~ 130 GRAMS).
  - PEELING SPEED: 300 mm/min.

USER DIRECTION OF UNREELING →



8000	800	10	9.42	3.28	30
			10.25	4.55	20
			8.5	2.5	12
PCS /BOX	PCS /REELS	REELS /BOX	GROSS WEIGHT (Kg)	NET WEIGHT (Kg)	NO. OF CONTACTS

THIS DRAWING IS A CONTROLLED DOCUMENT.

DIMENSIONS: MM	TOLERANCES UNLESS OTHERWISE SPECIFIED:	DWN	TE Connectivity		
	0 PLC # -	CHK	NAME		
	1 PLC # -	APVD	PRODUCT SPEC		
	2 PLC # -		APPLICATION SPEC		
	3 PLC # -		SIZE	CAGE CODE	DRAWING NO
	4 PLC # -		A3	00779	C-1775015
	ANGLES # -		RESTRICTED TO		
MATERIAL	FINISH	WEIGHT	CUSTOMER DRAWING		
			SCALE	SHEET	REV
			-	2 of 2	E

## X-ON Electronics

Largest Supplier of Electrical and Electronic Components

*Click to view similar products for te connectivity manufacturer:*

Other Similar products are found below :

[570416-000](#) [CLTEQ-M81CE-SSRELAY-4-20V](#) [4-1633138-8](#) [D38999/24FJ4AN](#) [4-1195131-0](#) [650069-000](#) [SMD100-2](#) [2EDL4CM](#)  
[DTS20W19-11PD-3028](#) [DTS20W19-11PD-3028-LC](#) [DTS20W19-32SD-3028-LC](#) [DTS20W19-32SD-3028](#) [NC6-P104-06](#) [TXR64AB90-](#)  
[3616AI](#) [DTS26F21-41HE](#) [DTS26F21-41AE](#) [DTS26F21-41PE-LC](#) [DTS26F21-11SE-3028-LC](#) [D38999/24WF32JE](#) [D38999/24WF32SE-LC](#)  
[DTS24W19-32HE](#) [D38999/20JB35HA](#) [D38999/24WJ20PA](#) [164-8033-08](#) [D38999/24FF32JE](#) [D38999/24FF32SE-LC](#) [D38999/24WF32JB](#)  
[D38999/24WG11HA](#) [D38999/24WG11HN](#) [MS27467T21F11H](#) [DJT16E21-11HA](#) [DTS24F19-32HE](#) [DTS20W19-32SA-3028-LC](#) [DTS24F19-](#)  
[11SC-3028-LC](#) [DTS24F19-11SC-3028](#) [DJT14E13-98HB](#) [D38999/20WC8BB](#) [1-330599-5](#) [DTS24F21-41HN-LC](#) [DTS24F21-41HN](#)  
[DTS24F21-41AN](#) [DTS24F21-39HN](#) [DTS24F21-41PN-LC](#) [AFD50-10-6SN-1A-LC](#) [DJT10F17-26HC](#) [DTS24W19-32HB](#) [ACT20JE99HA](#)  
[DJT10E17-26HC](#) [DJT10E17-26HN](#) [DJT10F17-26HA](#)