

THIS DRAWING IS UNPUBLISHED. RELEASED FOR PUBLICATION AUG 2006 .  
 © COPYRIGHT 2011 BY TE CONNECTIVITY. ALL RIGHTS RESERVED.

LOC	DIST	REVISIONS			
P	LTR	DESCRIPTION	DATE	DWN	APVD
DW	—	D3	REVISED PER ECR-20-005145	25JUN2021	RM SZ

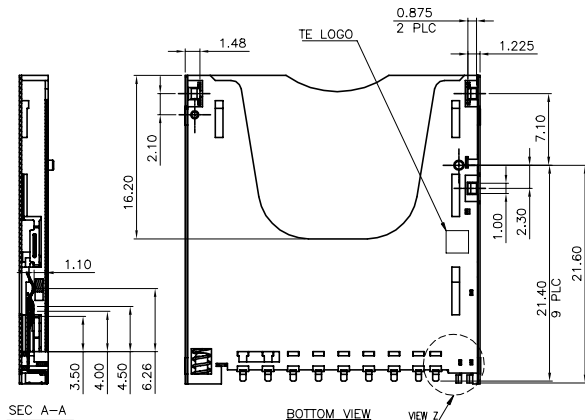
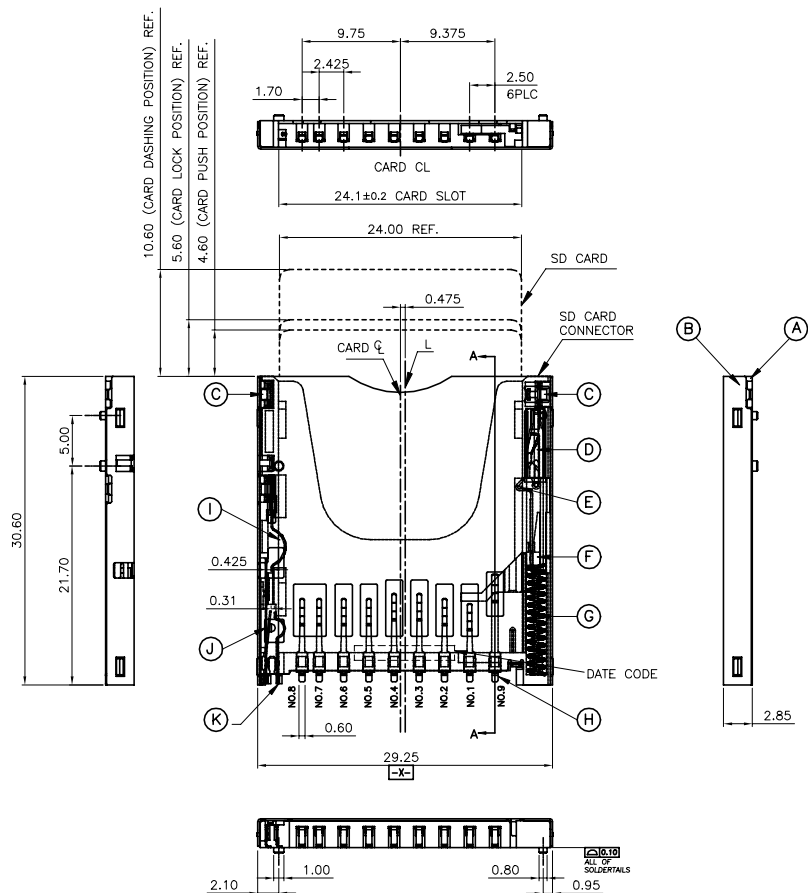
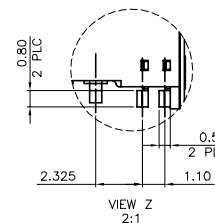
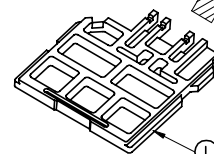
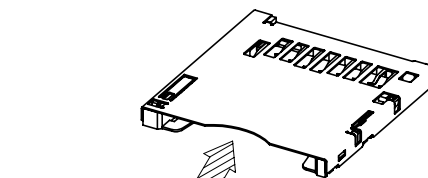
NOTES:

1.

ITEM	PARTS NAME	MATERIAL	FINISH/REMARK
A	HOUSING	TERMOPLASTIC HIGH TEMP	UL94 V-0, BLACK
B	SHELL	STAINLESS	NON-PLATING
C	HOLDDOWN CONTACT	PHOSHPOR BRONZE	100µ" MIN. MATTE-TIN PLATING ON SOLDER TAIL AREA 50µ" MIN. NICKEL UPDERPLATING OVERALL
D	CAM PIN	STAINLESS	NON-PLATING
E	CARD LOCK	PHOSHPOR BRONZE	100µ" MIN. MATTE-TIN PLATING 50µ" MIN. NICKEL UPDERPLATING OVERALL
F	SLIDER CAM	TERMOPLASTIC HIGH TEMP	UL94 V-0, BLACK
G	SPRING	SWP	50µ" MIN. NICKEL UPDERPLATING OVERALL
H	CONTACT-SD	PHOSHPOR BRONZE	GOLD (SEE TABLE) PLATING ON CONTACT AREA 100µ" MIN. MATTE-TIN PLATING ON SOLDER TAILS 50µ" MIN. NICKEL UPDERPLATING OVERALL
I	PROTECT CONTACT		
J	PROTECT CONTACT AND DETECT CONTACT-SWITCH		
K	DETECT CONTACT		
L	FAKE CARD	LCP	BLACK

- 3. APPLIED TO IR SOLDERING PROCESS
- 4. NET WEIGHT: 10 GRAMS.
- 5. OTHERS:
- 5.1 WHEN DELIVERING, THE PSH/PUSH MECHANISM IS IN THE STATE OF THE UNLOCK. (CARD DASHING OUT POSITION)
- 5.2 CARD READ ONLY BY THE TIME THE CARD DETECTION SWITCH WORKS.
- 5.3 OPEN AND CLOSE OF EACH SWITCH.

CARD INSERTION STATUS	WRITE PROTECT SWITCH		DETECT SWITCH
	WRITE PROTECT POSITION	WRITE ENABLE POSITION	
CARD UNINSERTION	OPEN	OPEN	OPEN
CARD HALF INSERTION	COLSE	COLSE	OPEN
CARD INSERTION	OPEN	COLSE	COLSE



THIS DRAWING IS A CONTROLLED DOCUMENT.		DWN A. WU 21AUG2006		SD CARD CONNECTOR, REVERSE TYPE, PUSH-PUSH		
DIMENSIONS: MM		CHK S. HOU 21AUG2006		NAME	SIZE	CAGE CODE
TOLERANCES UNLESS OTHERWISE SPECIFIED:		APVD W.J. KE 21AUG2006		PRODUCT SPEC 108-57504	DRAWING NO A3 00779	G=1775059
MATERIAL SEE NOTE		FINISH SEE NOTE		APPLICATION SPEC —	RESTRICTED TO	—
MATERIAL SEE NOTE		FINISH SEE NOTE	WEIGHT SEE NOTE	SCALE	SHEET	
CUSTOMER DRAWING			SCALE	SHEET	1 of 6	
			REV	D3		

THIS DRAWING IS UNPUBLISHED.

RELEASED FOR PUBLICATION

AUG 2006

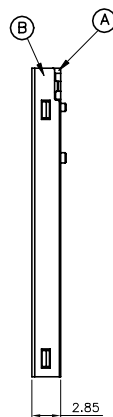
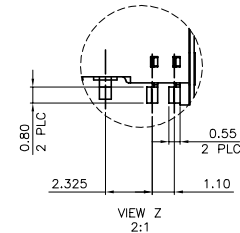
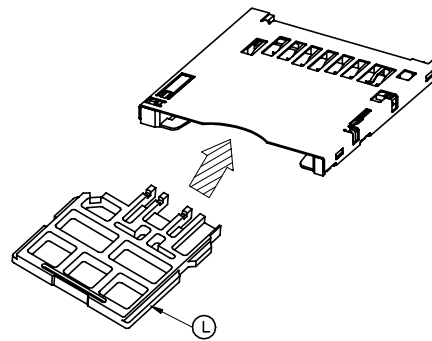
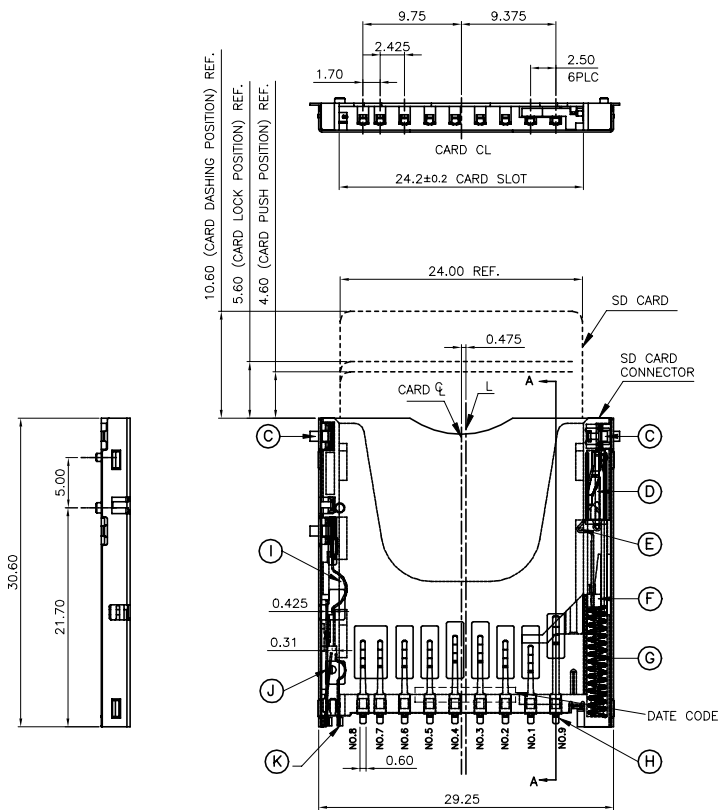
© COPYRIGHT 2011 BY TE CONNECTIVITY.

ALL RIGHTS RESERVED.

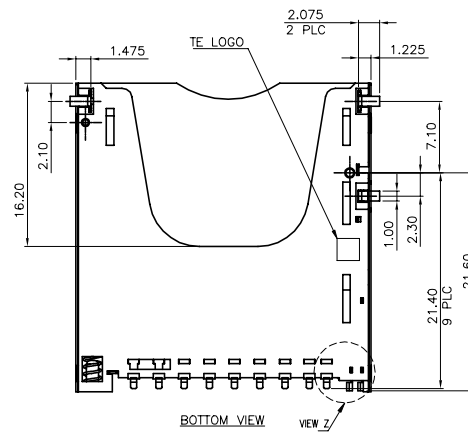
LOC DW DIST

REVISIONS

P	LTR	DESCRIPTION	DATE	DWN	APVD
		SEE SHEET 1.			



SEC A-A



BOTTOM VIEW

VIEW Z

- NOTE :
1. DIFFERENT PEG DESIGN
  2. OTHERS ARE SAME AS PAGE 1 NOTE

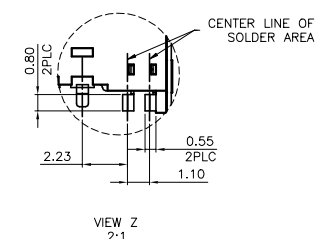
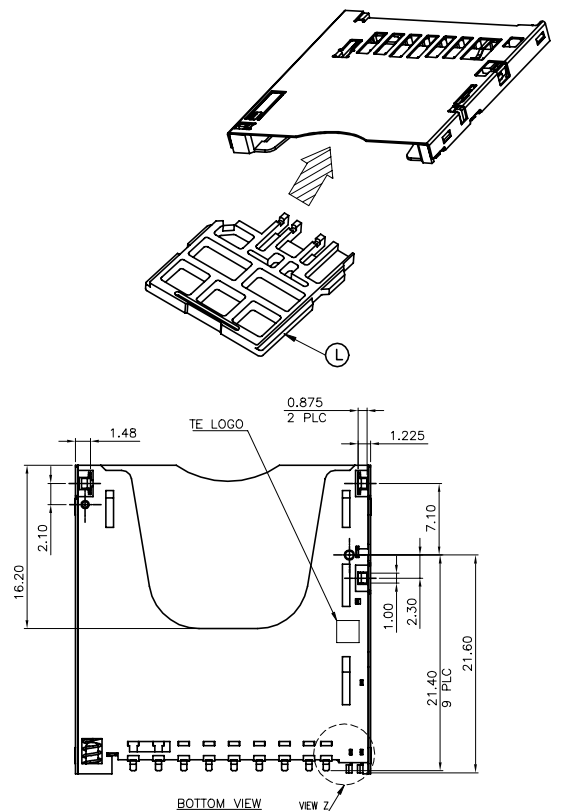
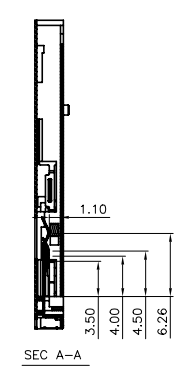
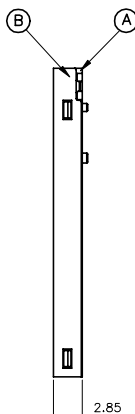
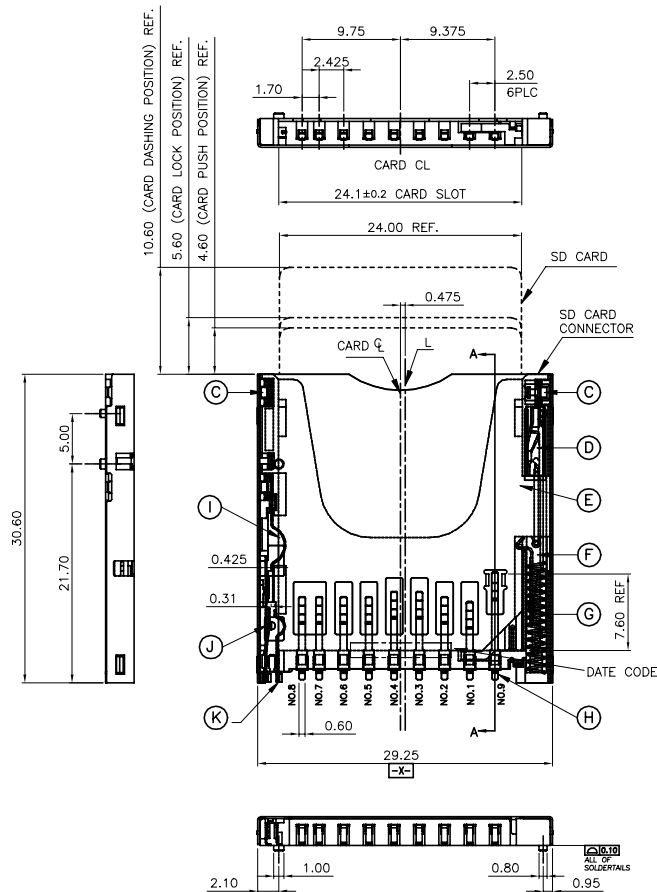
OBSOLETE

0.127µm [5µ"]	1775059-2
MIN. GOLD THICKNESS	PART NUMBER

THIS DRAWING IS A CONTROLLED DOCUMENT.		DWN	<b>TE</b> TE Connectivity	
DIMENSIONS: MM		CHK		
TOLERANCES UNLESS OTHERWISE SPECIFIED:		APVD	NAME	
0 PLC ± -		PRODUCT SPEC	SD CARD CONNECTOR, REVERSE TYPE, PUSH-PUSH	
1 PLC ± 0.3		APPLICATION SPEC	SIZE	CAGE CODE
2 PLC ± 0.2		WEIGHT	A3	00779
3 PLC ± 0.2		CUSTOMER DRAWING	DWG NO	G=1775059
4 PLC ± -		SCALE	RESTRICTED TO	
ANGLES ± 3°		SHEET	2 of 6	
MATERIAL		REV		D3

THIS DRAWING IS UNPUBLISHED. RELEASED FOR PUBLICATION AUG 2006 .  
 © COPYRIGHT 2011 BY TE CONNECTIVITY. ALL RIGHTS RESERVED.

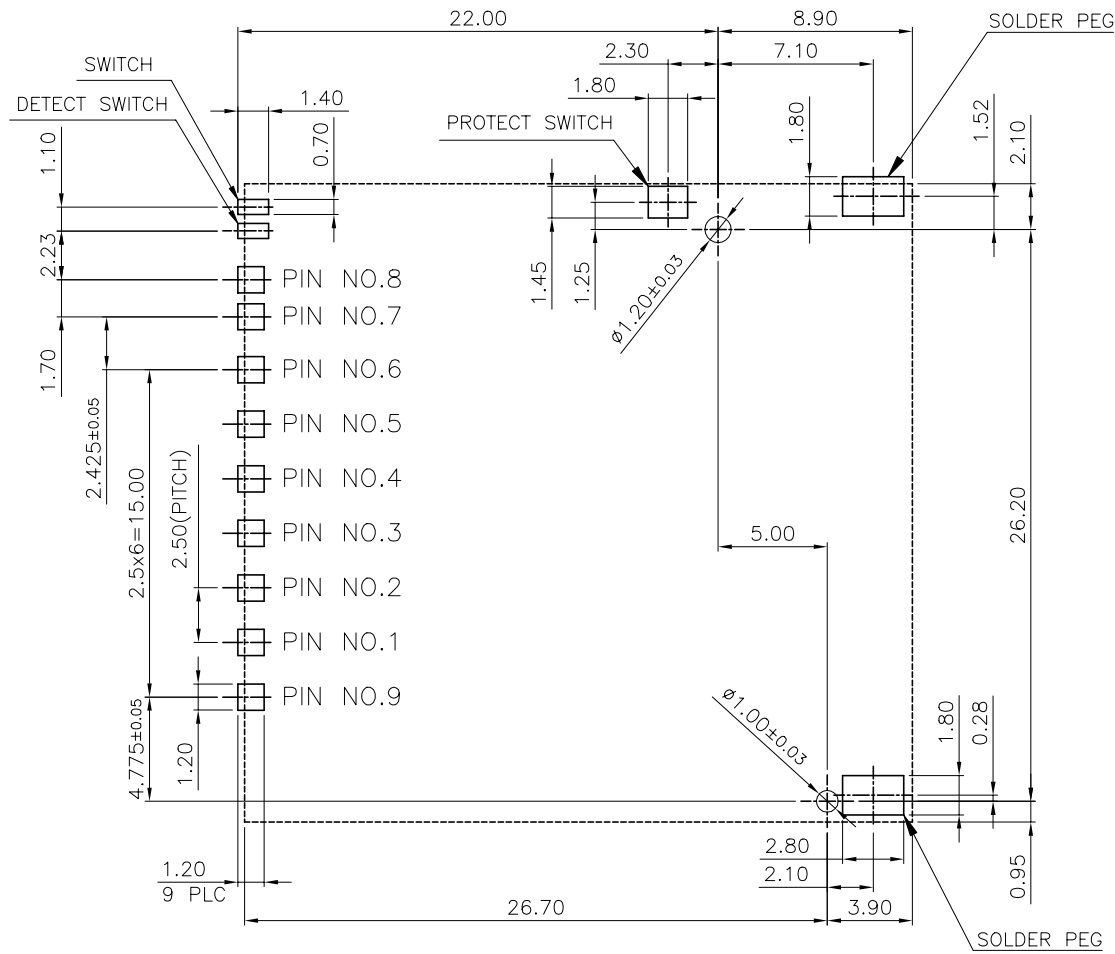
LOC	DIST	REVISIONS			
P	LTR	DESCRIPTION	DATE	DWN	APVD
DW	-	SEE SHEET 1.	-	-	-



NOTE :  
 1. FOOL-PROOF OF CARD INSERTION 180 DEGREE  
 2. OTHERS ARE SAME AS PAGE 1 NOTE

OBSOLETE	0.762µm [30µ"]	2-1775059-2
	MIN. GOLD THICKNESS	PART NUMBER

THIS DRAWING IS A CONTROLLED DOCUMENT.		DWN	TE Connectivity	
DIMENSIONS: MM		CHK	SD CARD CONNECTOR, REVERSE TYPE, PUSH-PUSH	
TOLERANCES UNLESS OTHERWISE SPECIFIED:		APVD	NAME	
0 PLC ± - 1 PLC ± 0.3 2 PLC ± 0.2 3 PLC ± 0.2 4 PLC ± - ANGLES ± 3°		PRODUCT SPEC	SIZE CAGE CODE DRAWING NO	
MATERIAL SEE NOTE		APPLICATION SPEC	A3 00779 G=1775059	
FINISH SEE NOTE		WEIGHT SEE NOTE	RESTRICTED TO	
		CUSTOMER DRAWING	SCALE	SHEET 3 of 6 REV D3



(FOR P/N: 1775059-1 & 1-1775059-1  
 & 2-1775059-2 )

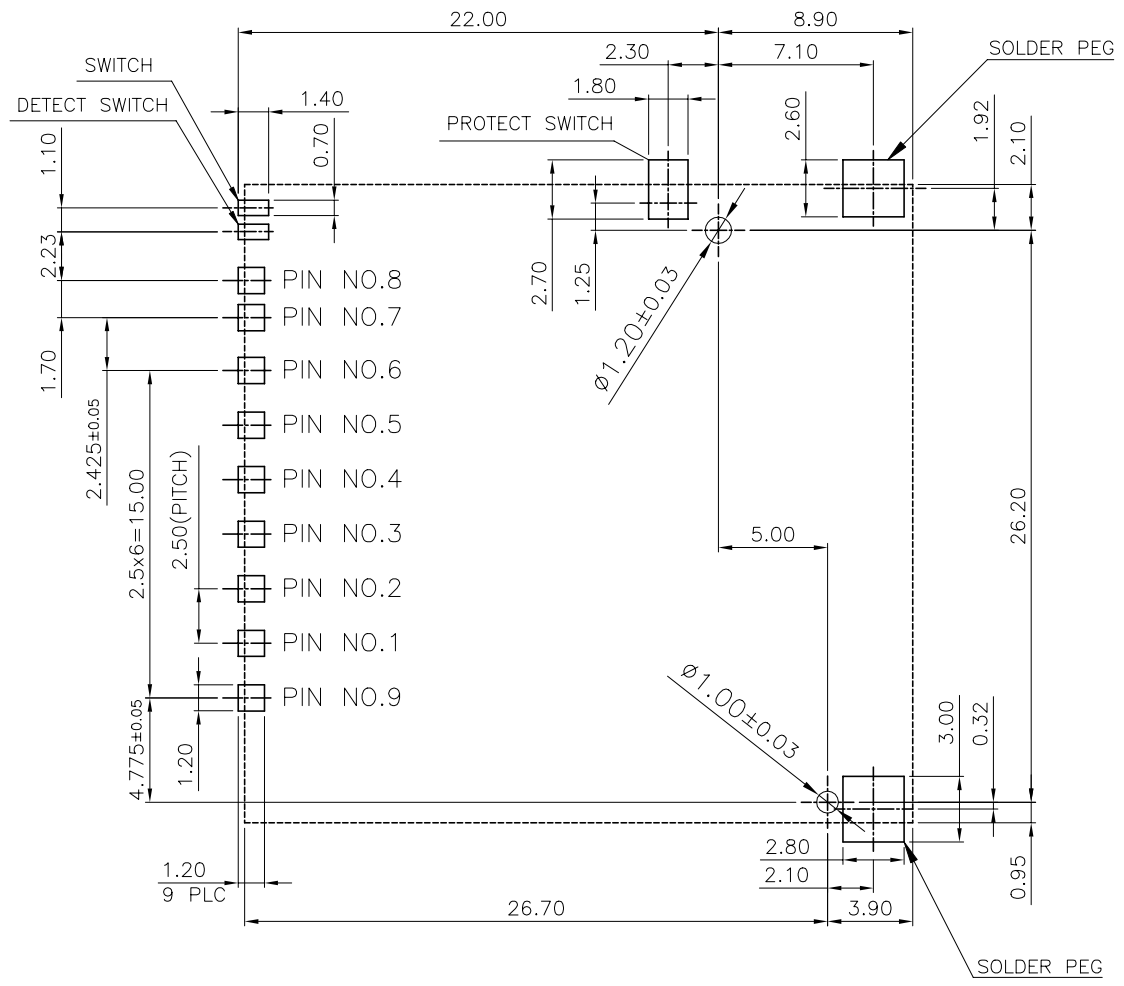
PIN DEFINE

PAD NO.	MEMORY CARD
SD-01	SD-CD/DAT3(SD-01)
SD-02	SD-CMD(SD-02)
SD-03	SD-VSS(SD-03)
SD-04	SD-VDD(SD-04)
SD-05	SD-CLK(SD-05)
SD-06	SD-VSS(SD-06)
SD-07	SD-DAT0(SD-07)
SD-08	SD-DAT1(SD-08)
SD-09	SD-DAT2(SD-09)

RECOMMENDED PCB LAYOUT  
 PCB TOLERANCE: ±0.05

THIS DRAWING IS A CONTROLLED DOCUMENT.

DIMENSIONS: MM	TOLERANCES UNLESS OTHERWISE SPECIFIED: 0 PLC ± - 1 PLC ± - 2 PLC ± - 3 PLC ± - 4 PLC ± - ANGLES ± -	DWN CHK APVD PRODUCT SPEC APPLICATION SPEC WEIGHT	TE Connectivity NAME SD CARD CONNECTOR, REVERSE TYPE, PUSH-PUSH SIZE CAGE CODE DRAWING NO A3 00779 G=1775059 RESTRICTED TO
MATERIAL	FINISH	CUSTOMER DRAWING	SCALE SHEET 4 of 6 REV D3



(FOR P/N 1775059-2)

PIN DEFINE

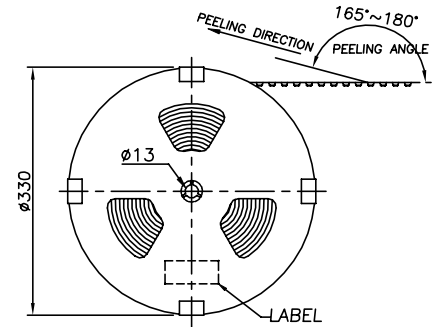
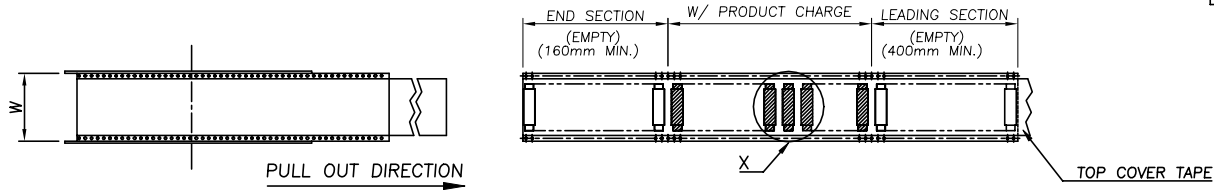
PAD NO.	MEMORY CARD
SD-01	SD-CD/DAT3(SD-01)
SD-02	SD-CMD(SD-02)
SD-03	SD-VSS(SD-03)
SD-04	SD-VDD(SD-04)
SD-05	SD-CLK(SD-05)
SD-06	SD-VSS(SD-06)
SD-07	SD-DAT0(SD-07)
SD-08	SD-DAT1(SD-08)
SD-09	SD-DAT2(SD-09)

RECOMMENDED PCB LAYOUT  
 PCB TOLERANCE:  $\pm 0.05$

THIS DRAWING IS A CONTROLLED DOCUMENT.

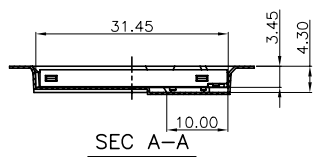
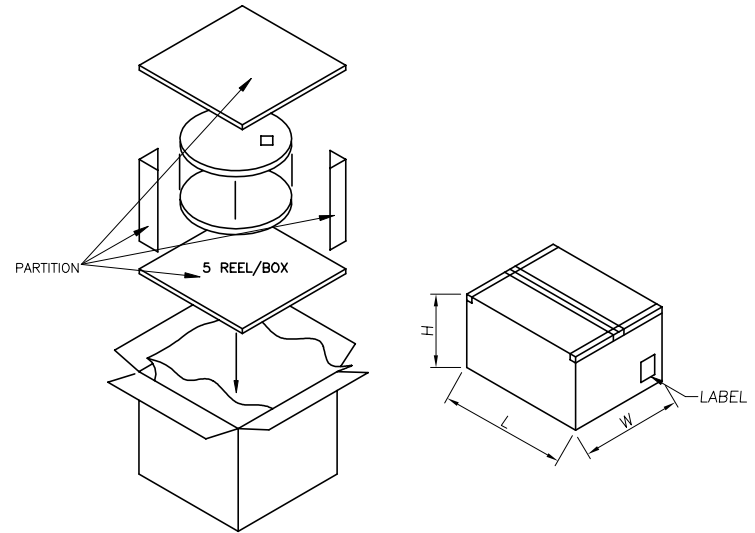
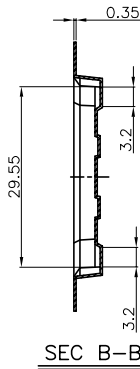
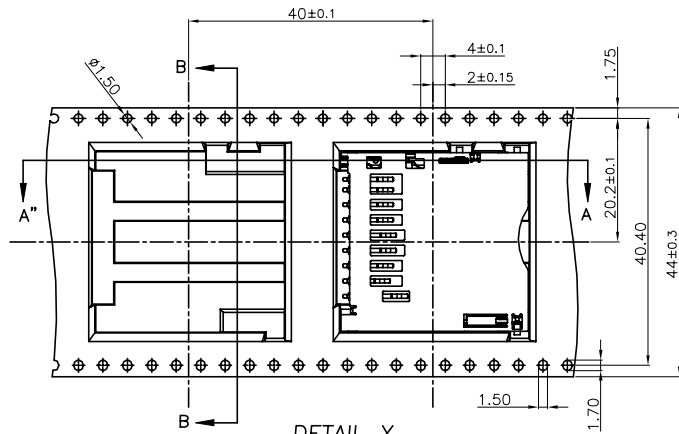
DIMENSIONS: MM	TOLERANCES UNLESS OTHERWISE SPECIFIED:	DWN	TE Connectivity
	0 PLC ± - 1 PLC ± - 2 PLC ± - 3 PLC ± - 4 PLC ± - ANGLES ± -	CHK	
MATERIAL	FINISH	APVD	NAME
		PRODUCT SPEC	SD CARD CONNECTOR, REVERSE TYPE, PUSH-PUSH
		APPLICATION SPEC	SIZE CAGE CODE DRAWING NO RESTRICTED TO
		WEIGHT	A3 00779 C=1775059
CUSTOMER DRAWING		SCALE	SHEET 5 of 6 REV D3

LOC	DIST	REVISIONS			
P	LTR	DESCRIPTION	DATE	DWN	APVD
DW		SEE SHEET 1.			



- NOTES:
- MATERIAL:
    - EMBOSSED CARRIER: PS.
    - COVER TAPE: PS.
    - SHIPPING BOX: CORRUGATED FIBER.
  - DIMENSION:
    - REEL: W= 44.5
    - SHIPPING BOX: L=350, W=350, H=300.
  - QUANTITY:
    - PRIMARY PACKING: 350 PCS/REEL.
    - SECONDARY PACKING: 5 REELS/BOX (1,750 PCS).
  - WEIGHT:
    - NET WEIGHT: 1.1 KG/REEL, 5.54 KG/BOX.
    - GROSS WEIGHT: 1.81 KG/REEL, 9.79 KG/BOX.
  - PEELING RESISTANCE: 40 ~ 60 gf.
  - PEELING SPEED: 300 mm/minutes.

USER DIRECTION OF UNREELING →



THIS DRAWING IS A CONTROLLED DOCUMENT.		DWN			
DIMENSIONS: MM		CHK			
TOLERANCES UNLESS OTHERWISE SPECIFIED:		APVD		NAME	
0 PLC ± - 1 PLC ± - 2 PLC ± - 3 PLC ± - 4 PLC ± - ANGLES ± -		PRODUCT SPEC		SD CARD CONNECTOR, REVERSE TYPE, PUSH-PUSH	
MATERIAL		APPLICATION SPEC		SIZE	
FINISH		WEIGHT		CAGE CODE	
		CUSTOMER DRAWING		DRAWING NO	
				A3 00779 G=1775059	
				RESTRICTED TO	
				SCALE	
				SHEET 6 of 6	
				REV D3	

## X-ON Electronics

Largest Supplier of Electrical and Electronic Components

*Click to view similar products for [Memory Card Connectors](#) category:*

*Click to view products by [TE Connectivity](#) manufacturer:*

Other Similar products are found below :

[M21-033321-005](#) [6407-249V-25273P](#) [6407-249V-25343P](#) [6426-201-21343](#) [69.920.0553.0](#) [FCN-568P068-G/07-4V](#) [809180410000000](#)  
[N7E50-7516PG-20-WF](#) [HMCAP001](#) [252-0144-000](#) [2041353-2](#) [33CFAE-DN](#) [502431-1011](#) [617230001](#) [NX1-32T-KT3K\(05\)](#) [95622-003LF](#)  
[N7E50-U516RB-50-SIN0005](#) [95079-00CALF](#) [84648-056HLF](#) [33DVIR-29S12R](#) [125A-78C00](#) [MI20A-50PD-SF-EJL\(71\)](#) [KP10S-SF-](#)  
[PEJ\(812\)](#) [504536-0691](#) [504580-0691](#) [CCM03-3109 B LFT](#) [MI21-50PD-SF\(91\)](#) [2309923-1](#) [61126-050CAHLF](#) [IC1GA-68PD-1.27DS-EJ\(72\)](#)  
[GTFP08432B1HR](#) [G85DT17001P1EU](#) [G85B21611142HHR](#) [GSD090144HR](#) [G85D1140022P1HR](#) [GMCB05801124EU](#) [G85C11101152HHR](#)  
[G85B231021B1HR](#) [G85D1160022HHR](#) [XKSIM-114](#) [123A-21M00](#) [123A-30B00](#) [123A-30A00](#) [123A-21A00](#) [123A-21B00](#) [123A-21E00](#)  
[123A-30E00](#) [123A-30M00](#) [123A-40A00](#) [123A-40E00](#)