

DW		—		SEE SHEET 1.	
LOC	DIST	P	LTR	DESCRIPTION	DATE
					DWN
					APVD

REVISIONS

1	17.50	16.50	21.30	21.75	34	3-1775333-4	AVAILABLE
	17.00	16.00	20.80	21.25	33	3-1775333-3	AVAILABLE
	16.50	15.50	20.30	20.75	32	3-1775333-2	NOT AVAILABLE
	16.00	15.00	19.80	20.25	31	3-1775333-1	AVAILABLE
	15.50	14.50	19.30	19.75	30	3-1775333-0	AVAILABLE
	15.00	14.00	18.80	19.25	29	2-1775333-9	NOT AVAILABLE
	14.50	13.50	18.30	18.75	28	2-1775333-8	AVAILABLE
	14.00	13.00	17.80	18.25	27	2-1775333-7	NOT AVAILABLE
	13.50	12.50	17.30	17.75	26	2-1775333-6	AVAILABLE
	13.00	12.00	16.80	17.25	25	2-1775333-5	AVAILABLE
	12.50	11.50	16.30	16.75	24	2-1775333-4	AVAILABLE
	12.00	11.00	15.80	16.25	23	2-1775333-3	NOT AVAILABLE
	11.50	10.50	15.30	15.75	22	2-1775333-2	AVAILABLE
	11.00	10.00	14.80	15.25	21	2-1775333-1	AVAILABLE
	10.50	9.50	14.30	14.75	20	2-1775333-0	NOT AVAILABLE
	10.00	9.00	13.80	14.25	19	1-1775333-9	NOT AVAILABLE
	9.50	8.50	13.30	13.75	18	1-1775333-8	AVAILABLE
	9.00	8.00	12.80	13.25	17	1-1775333-7	AVAILABLE
	8.50	7.50	12.30	12.75	16	1-1775333-6	AVAILABLE
	8.00	7.00	11.80	12.25	15	1-1775333-5	AVAILABLE
	7.50	6.50	11.30	11.75	14	1-1775333-4	AVAILABLE
	7.00	6.00	10.80	11.25	13	1-1775333-3	AVAILABLE
	6.50	5.50	10.30	10.75	12	1-1775333-2	NOT AVAILABLE
	6.00	5.00	9.80	10.25	11	1-1775333-1	AVAILABLE
	5.50	4.50	9.30	9.75	10	1-1775333-0	AVAILABLE
	5.00	4.00	8.80	9.25	09	1775333-9	AVAILABLE
	4.50	3.50	8.30	8.75	08	1775333-8	AVAILABLE
	4.00	3.00	7.80	8.25	07	1775333-7	NOT AVAILABLE
	3.50	2.50	7.30	7.75	06	1775333-6	NOT AVAILABLE

D

C

B

2	28.50	27.50	32.50	32.75	56	5-1775333-6	AVAILABLE
	28.00	27.00	32.00	32.25	55	5-1775333-5	AVAILABLE
	27.50	26.50	31.50	31.75	54	5-1775333-4	AVAILABLE
	27.00	26.00	31.00	31.25	53	5-1775333-3	NOT AVAILABLE
	26.50	25.50	30.50	30.75	52	5-1775333-2	NOT AVAILABLE
	26.00	25.00	30.00	30.25	51	5-1775333-1	NOT AVAILABLE
	25.50	24.50	29.50	29.75	50	5-1775333-0	AVAILABLE
	25.00	24.00	28.80	29.25	49	4-1775333-9	NOT AVAILABLE
	24.50	23.50	28.50	28.75	48	4-1775333-8	AVAILABLE
	24.00	23.00	27.80	28.25	47	4-1775333-7	NOT AVAILABLE
	23.50	22.50	27.50	27.75	46	4-1775333-6	NOT AVAILABLE
	23.00	22.00	26.80	27.25	45	4-1775333-5	AVAILABLE
	22.50	21.50	26.50	26.75	44	4-1775333-4	NOT AVAILABLE
	22.00	21.00	25.80	26.25	43	4-1775333-3	NOT AVAILABLE
	21.50	20.50	25.50	25.75	42	4-1775333-2	AVAILABLE
	21.00	20.00	24.80	25.25	41	4-1775333-1	NOT AVAILABLE
	20.50	19.50	24.50	24.75	40	4-1775333-0	AVAILABLE
	20.00	19.00	23.80	24.25	39	3-1775333-9	NOT AVAILABLE
	19.50	18.50	23.50	23.75	38	3-1775333-8	NOT AVAILABLE
	19.00	18.00	22.80	23.25	37	3-1775333-7	NOT AVAILABLE

REVISIONS

3	19.00	18.00	23.00	23.25	8	1775333-7	NOT AVAILABLE
	18.50	17.50	22.50	22.75	7	1775333-6	NOT AVAILABLE

REVISIONS

3	19.00	18.00	23.00	23.25	8	1775333-7	NOT AVAILABLE
	18.50	17.50	22.50	22.75	7	1775333-6	NOT AVAILABLE

B

C

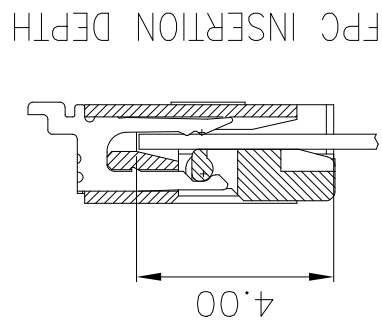
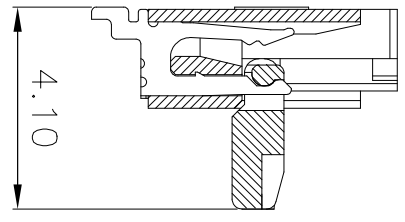
D

DW	LOC	—	DIST	P	LTR	REVISIONS		
						DATE	DWN	APVD
				SEE SHEET 1.				

1

2

3



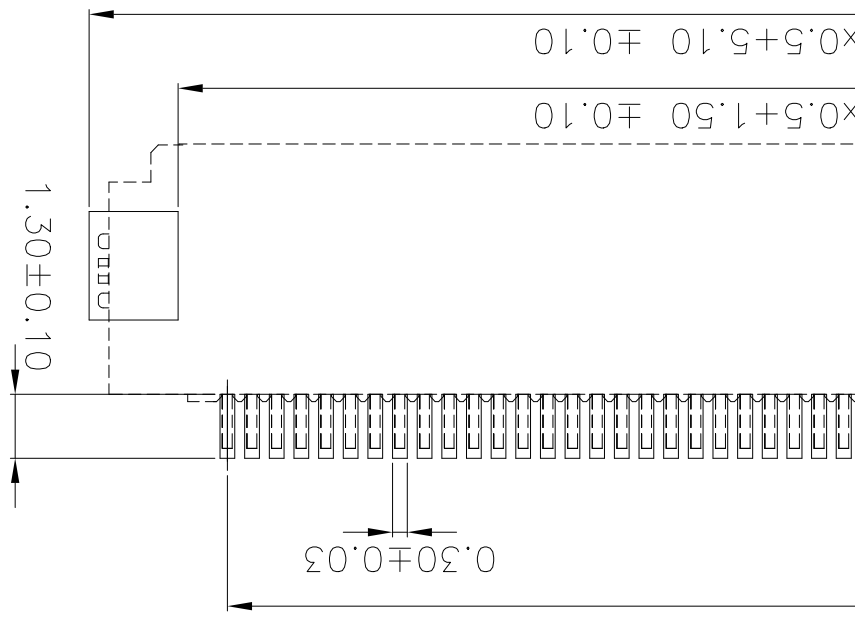
0.30 ± 0.05

DIM.C ± 0.05

DIM.D ± 0.07

P.C. BOARD PATTERN LAYOUT

METAL MASK THICKNESS: T=0.15



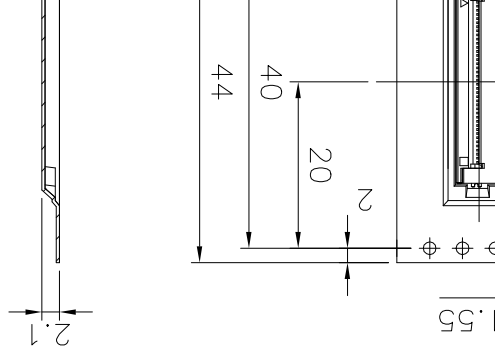
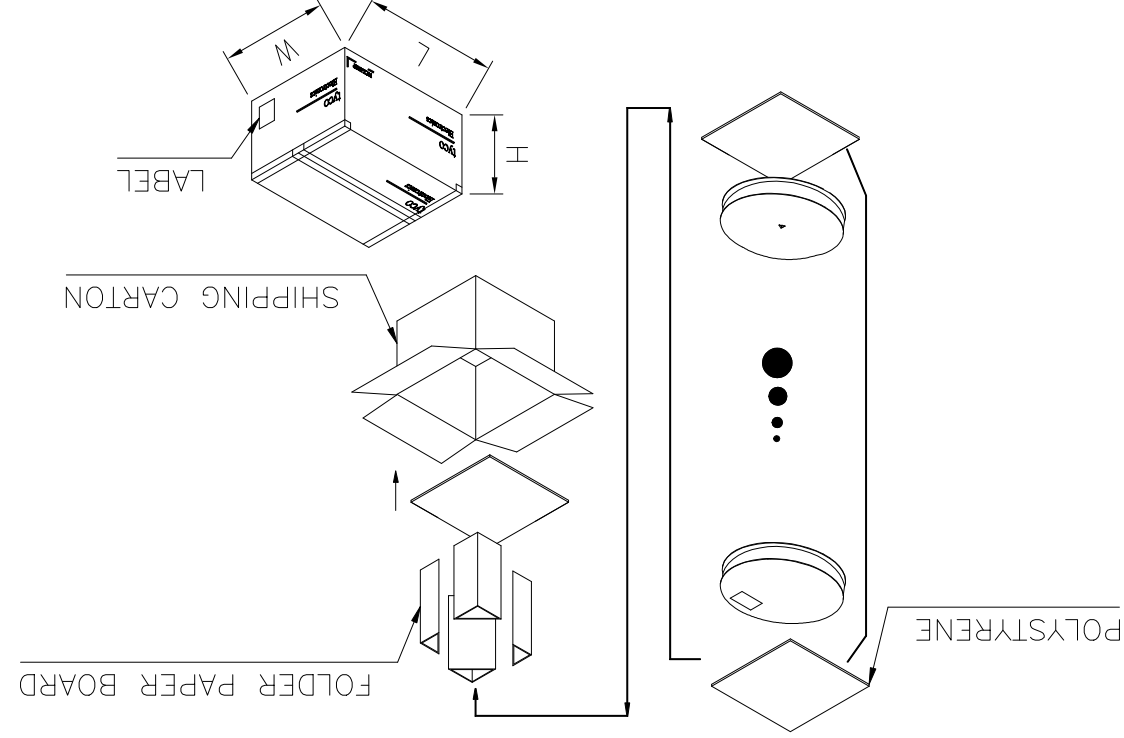
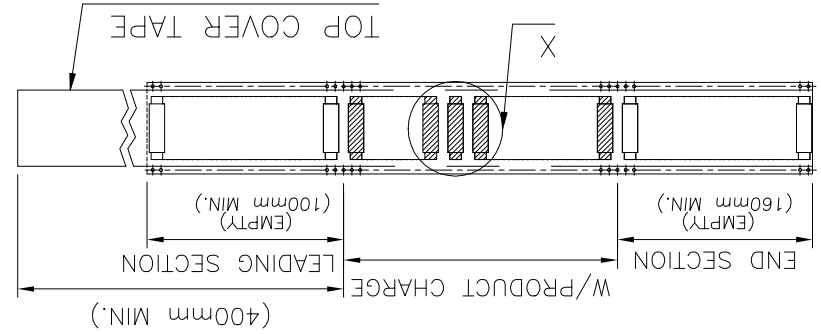
DIM.C ± 0.05

APRVED.

DN

REV	DATE	DESCRIPTION	P	LTR	SEE SHEET 1.
1					

LOC DW
DIST —



4.5~5.3	2.8~3.5	10,000	2000	56	51~56
4.4~5.6	2.3~3.5	12,000	2000	44	30~50

BD

C

D

NON
REVISED.



X-ON Electronics

Largest Supplier of Electrical and Electronic Components

Click to view similar products for [FFC & FPC Connectors](#) category:

Click to view products by [TE Connectivity](#) manufacturer:

Other Similar products are found below :

[HFW11R-1STE1H1LF](#) [FH29B-100S-0.2SHW\(99\)](#) [FA5S008HP1](#) [FH29B-120S-0.2SHW\(99\)](#) [FH29B-80S-0.2SHW\(99\)](#) [FHS-16](#) [FPH-2022G](#)
[52610-1075](#) [52610-1275](#) [52610-1934](#) [XF3M\(1\)-1415-1B-R100](#) [501864-3091-TR225](#) [0525594033](#) [086210010340800](#) [086222026001800](#)
[52271-2869-CUT-TAPE](#) [62674-201121DLF](#) [62684-36210E9ALF](#) [52610-1675](#) [52746-1671-TR250](#) [10051922-2810EHLF](#) [6-520415-9](#)
[BD021-09A-A1-0350-0200-0550-LD](#) [SFV6R-1STE9HLF](#) [XF3M-2915-1B-R100](#) [1658549-1](#) [62674-221121ALF](#) [46214008010800](#)
[046298003000883](#) [151660622](#) [842-816-2630-035](#) [AYF530665TA](#) [AYF351525](#) [046296011930846+](#) [AYF352325A](#) [046254020000800+](#)
[FH19C-13S-0.5SH\(99\)](#) [FH39J-51S-0.3SHW\(99\)](#) [AYF355125A](#) [AYF530365TA](#) [FH29B-44S-0.2SHW\(99\)](#) [SFW5R-2STAE9LF](#) [AYF351125A](#)
[AYF350725A](#) [62684-502100AHLF](#) [FH39-61S-0.3SHW\(99\)](#) [AYF414035A](#) [10064555-172520HLF](#) [AYF212335A](#) [504754-2500](#)