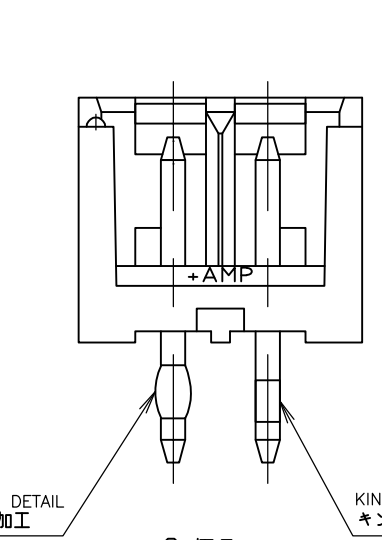
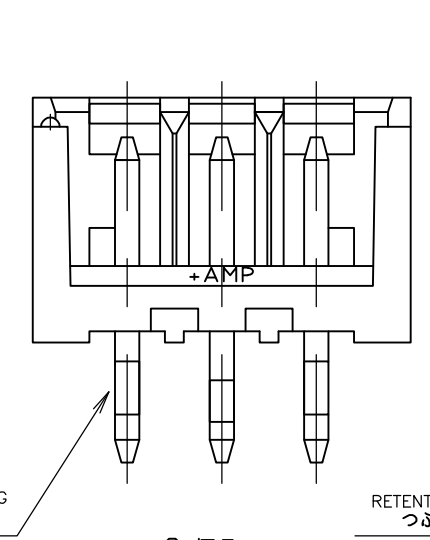
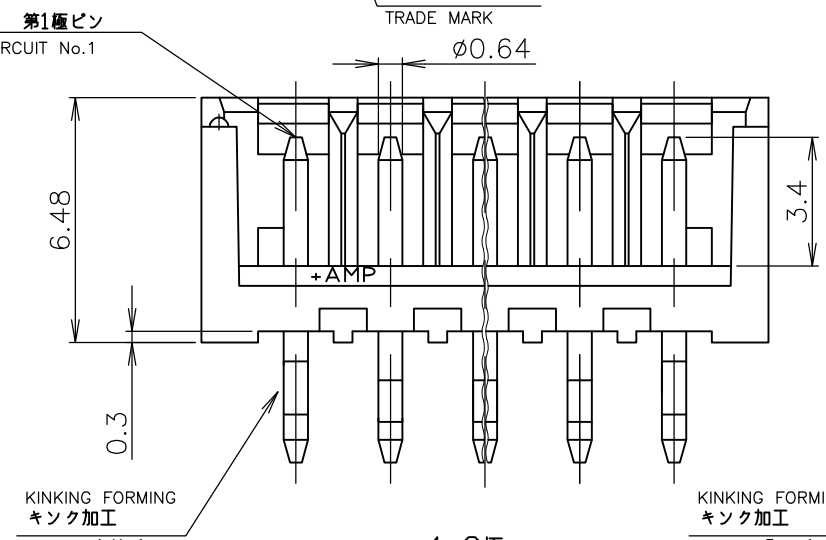
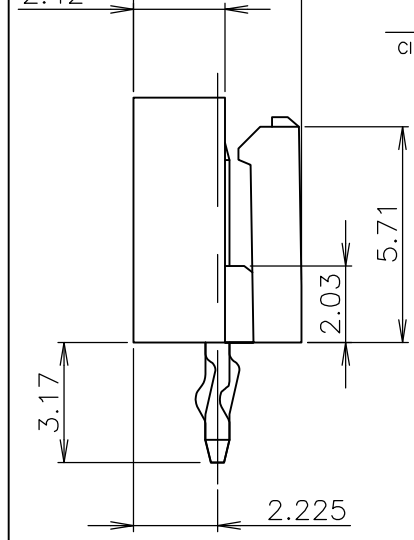
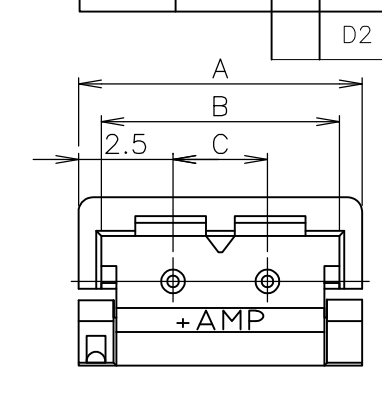
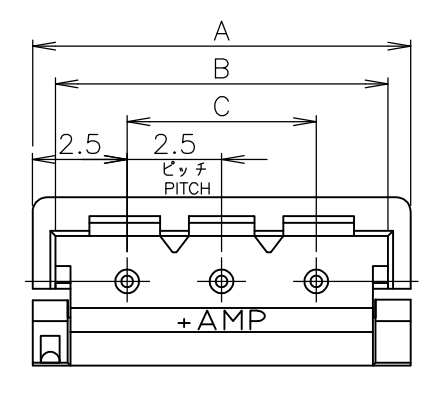
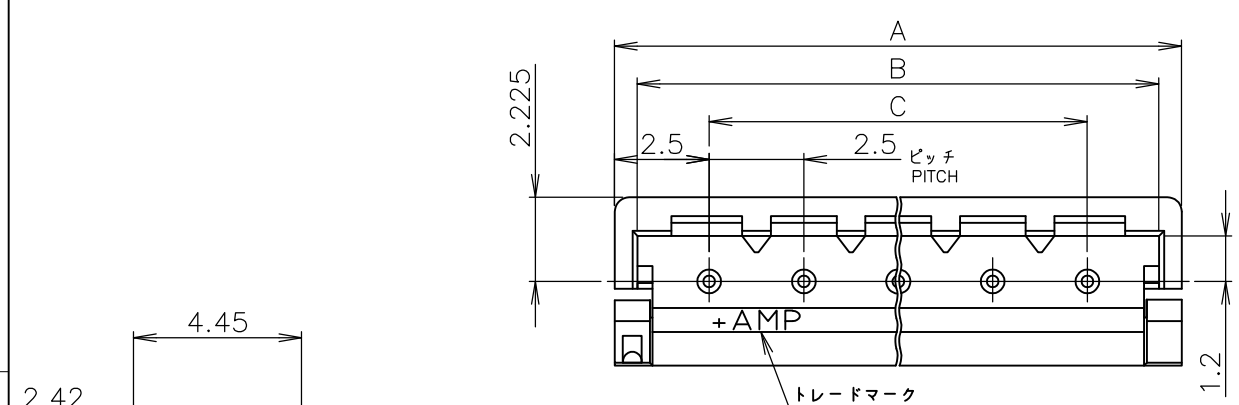


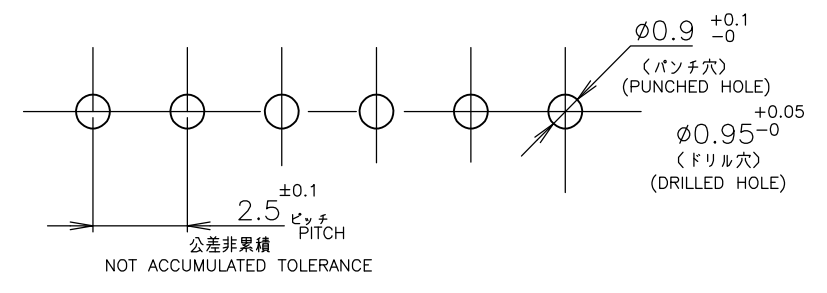
THIS DRAWING IS UNPUBLISHED. RELEASED FOR PUBLICATION
 © COPYRIGHT By - ALL RIGHTS RESERVED.

LOC J	DIST	REVISIONS 変更		
		P	LTR	DESCRIPTION
			D2	REVISED(ECR-14-018055)
				DATE
				17MAR15
				DWN
				W.C
				APVD
				V.P



注記
 1. 材料：ハウジング - 66 ナイロン (UL94V-0)
 ポスト - 錫めっき黄銅
 2. 適用製品規格：108-5385
 3. 嵌合相手製品型番：P/N 177534, 179872

NOTES;
 1. MATERIAL : HOUSING - 66NYLON (UL94V-0)
 POST - PRE-TIN BRASS
 2. PRODUCT SPEC : 108-5385
 3. MATING COUNTER PART NUMBER : P/N 177534 ,179872



RECOMMENDABLE P.C.BOARD LAYOUT
 推奨基板寸法
 (板厚 1.0~1.6)
 (B.C.B THK:1.0~1.6)

30.0	34.2	35.0	13	9-	-3	7-	-3	5-	-3	3-	-3	1-	-3
27.5	31.7	32.5	12	9-	-2	7-	-2	5-	-2	3-	-2	1-	2-
25.0	29.2	30.0	11	9-	-1	7-	-1	5-	-1	3-	-1	1-	-1
22.5	26.7	27.5	10	9-	0	7-	0	5-	0	3-	0	1-	0
20.0	24.2	25.0	9	8-	-9	6-	-9	4-	-9	2-	-9	1-	2-
17.5	21.7	22.5	8	8-	-8	6-	-8	4-	-8	2-	-8		-8
15.0	19.2	20.0	7	8-	-7	6-	-7	4-	-7	2-	-7		-7
12.5	16.7	17.5	6	8-	-6	6-	-6	4-	-6	2-	-6		-6
10.0	14.2	15.0	5	8-	-5	6-	-5	4-	-5	2-	-5		-5
7.5	11.7	12.5	4	8-	-4	6-	-4	4-	-4	2-	-4		-4
5.0	9.2	10.0	3	8-	-3	6-	-3	4-	-3	2-	-3		-3
2.5	6.7	7.5	2	8-177537-2		6-177537-2		4-177537-2		2-177537-2		177537-2	
C	B	A	極数 Pos.	青 BLUE		黒 BLACK		赤 RED		黄 YELLOW		自然色 NATURAL	
製品型番 PART No.													

THIS DRAWING IS A CONTROLLED DOCUMENT.

DIMENSIONS: 単位: 概 mm	TOLERANCES UNLESS OTHERWISE SPECIFIED: 一般公差	DWN S.KANEKI 140CT92	TE Connectivity POST HDR ASSEMBLY 2.5mm PITCH METRIC INTERCONNECT SYSTEM
	0-PLC ± 1-PLC ± 2-PLC ± 3-PLC ± 4-PLC ± ANGLES ±	CHK A.ONO 140CT92	
		APVD S.KUBOUCHI 250CT95	
MATERIAL 材料 SEE NOTE 1	FINISH 仕上	NAME 名称 S.KUBOUCHI 250CT95	PRODUCT SPEC 製品規格 SEE NOTE 2
		APPLICATION SPEC 取付適用規格	SIZE A3
		WEIGHT	CAGE CODE 00779
			DRAWING NO C-177537
			RESTRICTED TO
			SCALE 尺度 10:1
			SHEET 1 OF 1
			REV D2

CUSTOMER DRAWING

X-ON Electronics

Largest Supplier of Electrical and Electronic Components

Click to view similar products for [TE Connectivity](#) manufacturer:

Other Similar products are found below :

[D38999/24FJ4AN](#) [570416-000](#) [CLTEQ-M81CE-SSRELAY-4-20V](#) [4-1195131-0](#) [650069-000](#) [SMD100-2](#) [358838-000](#) [CB-1022B-78](#)
[RM707012](#) [RP410012](#) [MMS42](#) [1-640426-8](#) [2EDL4CM](#) [DTS20W19-11PD-3028-LC](#) [RM202615](#) [NC6-P104-06](#) [MSPS103B](#) [DTS26F21-](#)
[41HE-LC](#) [DTS26F21-41AE](#) [DTS26F21-41PE-LC](#) [DTS26F21-11SE-3028-LC](#) [30DCB6](#) [1932144-1](#) [293545-4](#) [LVR125S](#) [MS27466T25F4PB](#)
[CKB-38-78010](#) [TR04AI-TINELLOCKRING](#) [1206SFF150F/63-2](#) [D38999/20JB35HA](#) [TE1500A2R2J](#) [D38999/20WC8BB](#) [DTS24F19-11SC-](#)
[3028-LC](#) [D38999/24WG11HA](#) [D38999/24WG11HN](#) [MS27467T21F11H](#) [DJT16E21-11HA](#) [MS27467T21F35J](#) [MS27467T21F11J](#)
[MS27467T21F16H-LC](#) [MS27467T21F35H](#) [MS27467T21F41H-LC](#) [1206SFH150F/24-2](#) [RP330024](#) [DJT16E21-11PA-LC](#) [DJT16E21-11HA-](#)
[LC](#) [DJT16E21-11AA](#) [MS27467T21B11JA](#) [DJT16E21-11JA](#) [MS27467T21B11JA-LC](#)